

6

5

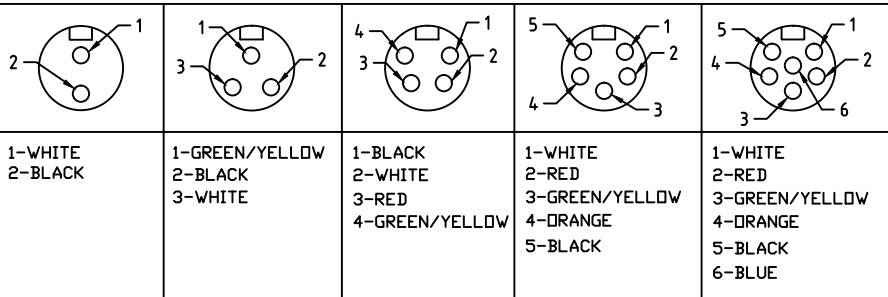
4

3

2

1

FACE VIEW-FEMALE INSERT



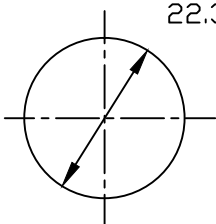
NOTES:

- MATERIAL: SEE TABLE
- FINISH: SEE TABLE
- ELECTRICAL:
VOLTAGE: 2P THRU 6P 600V PER UL 2238
3P 400V PER IEC60664
4,5 & 6P 320V PER IEC60664

CURRENT: 2P & 3P: 13A
4P: 10A
5P & 6P: 8A

- TEMP RATING: -20°TO +105°C
- PROTECTION: IP67 (WHEN MATED)
- ALL DIMS ARE FOR REFERENCE
UNLESS NOTED OTHERWISE

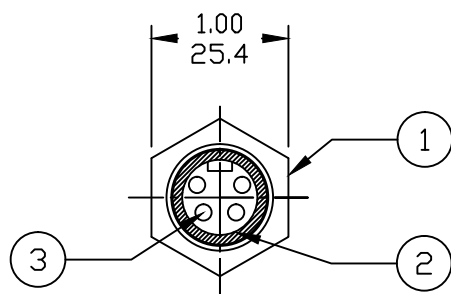
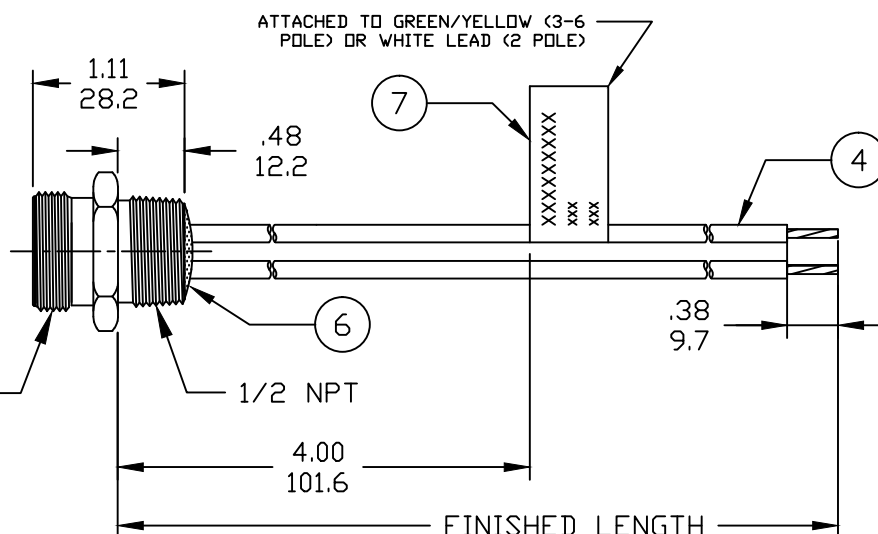
Ø.88
22.3



REF. KNOCKOUT HOLE

PART NUMBER LEGEND

1R3004A20F020

POLES
2-6FINISHED LENGTH:
A120= 12 IN.
F020= 2 FEET
F100= 10 FEETM005= 0.5 METER
M010= 1 METER
M100= 10 METER7/8-16
THREAD

TABLE

ITEM	DESCRIPTION	MATERIAL	FINISH
6	FLAG LABEL	VINYL	BLACK/YELLOW
5	POTTING MATERIAL	EPDXY	
4	WIRE, 16 AWG UL (1015)	PVC INSULATION	SEE CHART
3	CONTACT SOCKET	COPPER ALLOY	GOLD PLATED
2	FEMALE INSERT	PVC	YELLOW
1	RECEPTACLE SHELL	ZINC DIE-CAST	BLACK

REVID NOTES: REMOVE SPAN, AD PIN LEG	EC NO: IPG2017-0559	DRWN: RSTONE 2016/12/05	CHKD: M ZIELIN 2016/12/12	APPR: BWOODMAN
REV	A	DESCRIPTION		

QUALITY SYMBOLS	▽=0	▽C=0
-----------------	-----	------

GENERAL TOLERANCES
(UNLESS SPECIFIED)

	mm	INCH
4 PLACES	±---	±---
3 PLACES	±---	±---
2 PLACES	±---	±---
1 PLACE	±---	±---

ANGULAR ±1/2°

DRAFT WHERE APPLICABLE
MUST REMAIN
WITHIN DIMENSIONSDIMENSION STYLE
INCH/MM

DRAWN BY	DATE
RSTONE	2016/12/05
CHECKED BY	DATE
M ZIELIN	2016/12/12
APPROVED BY	DATE
---	---

MATERIAL NO. --

SIZE
ASCALE
---DESIGN UNITS
INCHTHIRD ANGLE
PROJECTION

TITLE
MINI-CHANGE RECEPTACLE
2-6P FEMALE
#16-1 PVC WIRES

molex MOLEX INCORPORATED

DOCUMENT NO. SD-130013-121

SHEET NO.
1 OF 1

THIS DRAWING CONTAINS INFORMATION THAT IS PROPRIETARY TO MOLEX INCORPORATED AND SHOULD NOT BE USED WITHOUT WRITTEN PERMISSION

6

5

4

3

2

1