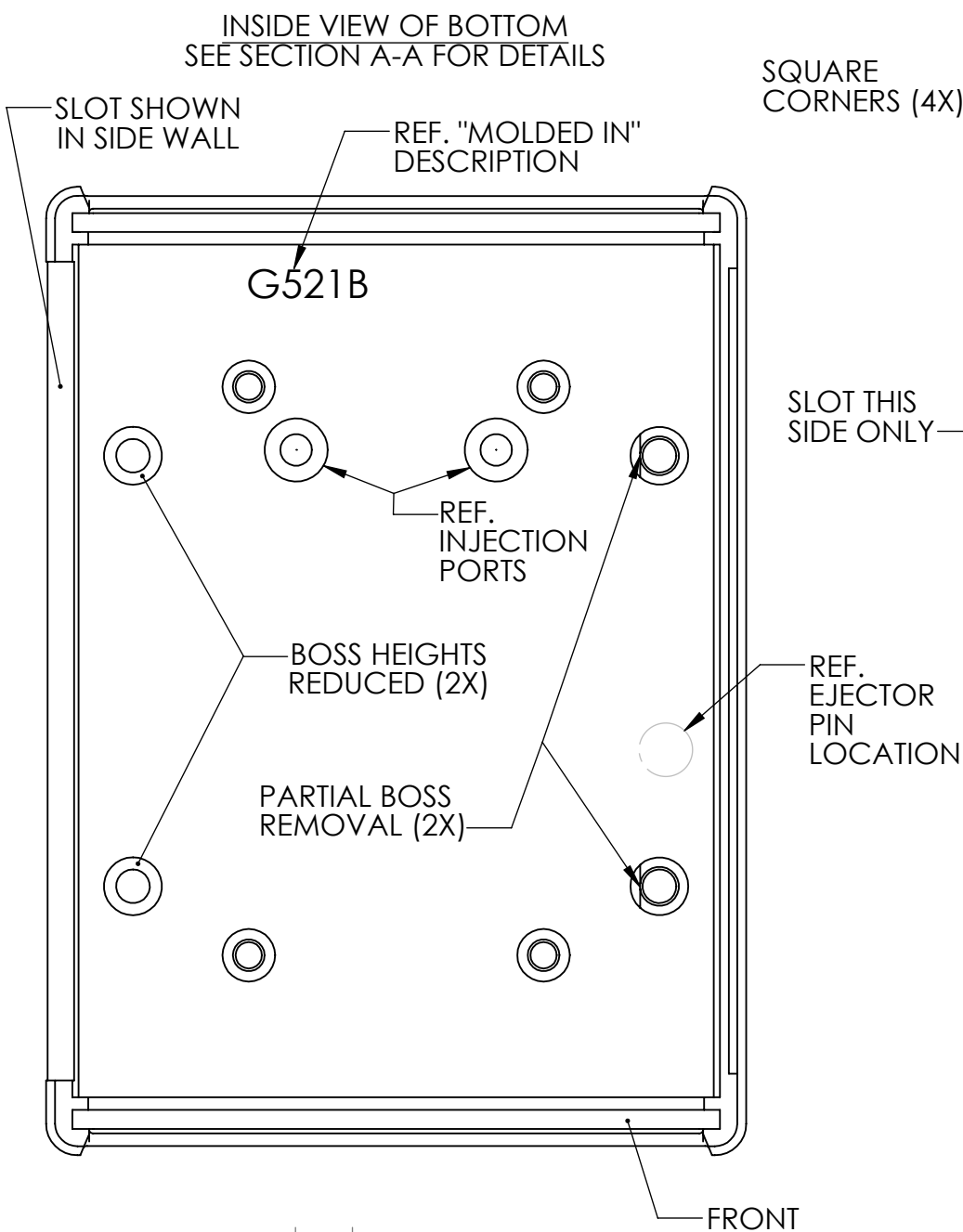


THE INFORMATION CONTAINED IN THIS DRAWING IS THE SOLE PROPERTY OF BUD INDUSTRIES INC. ANY REPRODUCTION IN PART OR WHOLE WITHOUT THE WRITTEN PERMISSION OF BUD INDUSTRIES INC. IS PROHIBITED.

DWG. NO. FBB-3675
 ISSUE REVISIONS

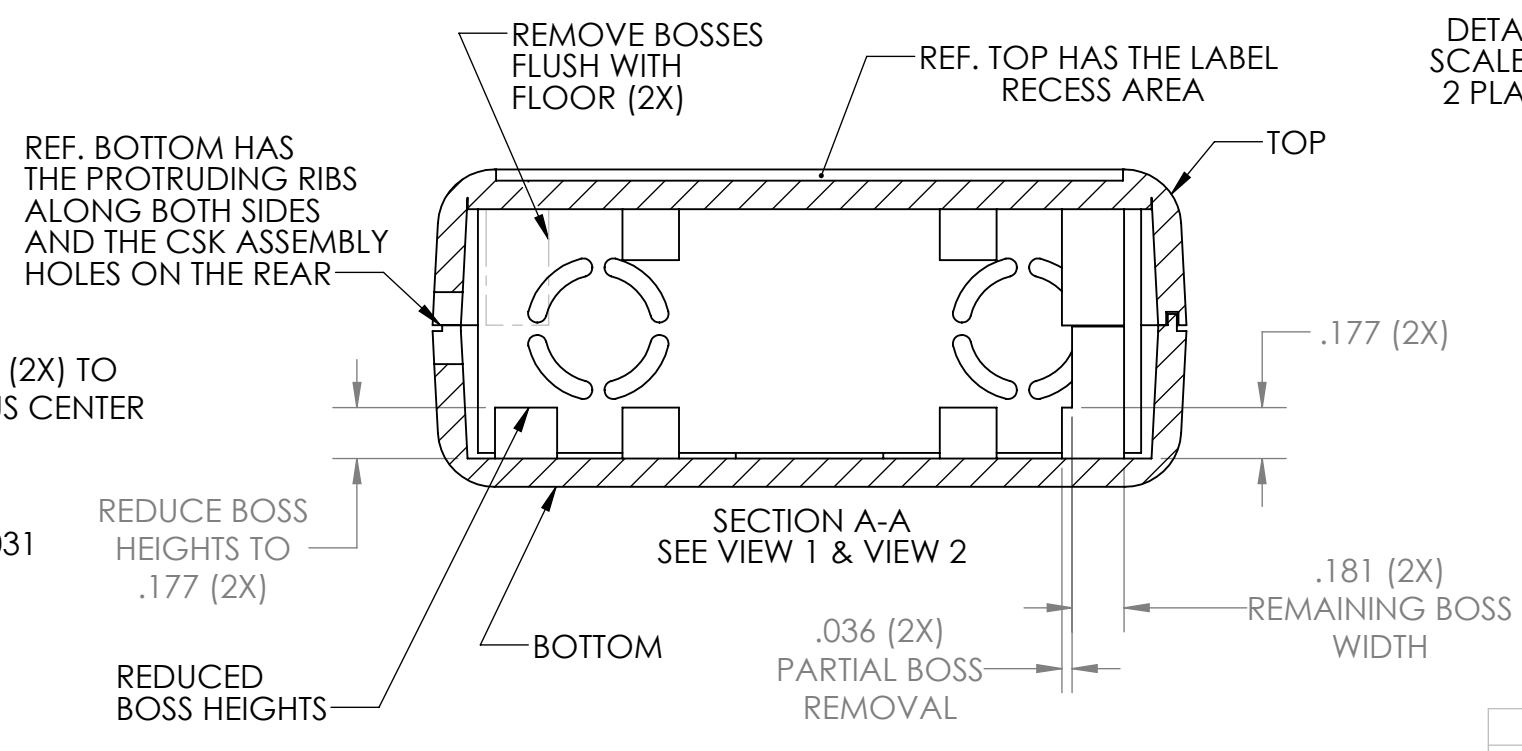
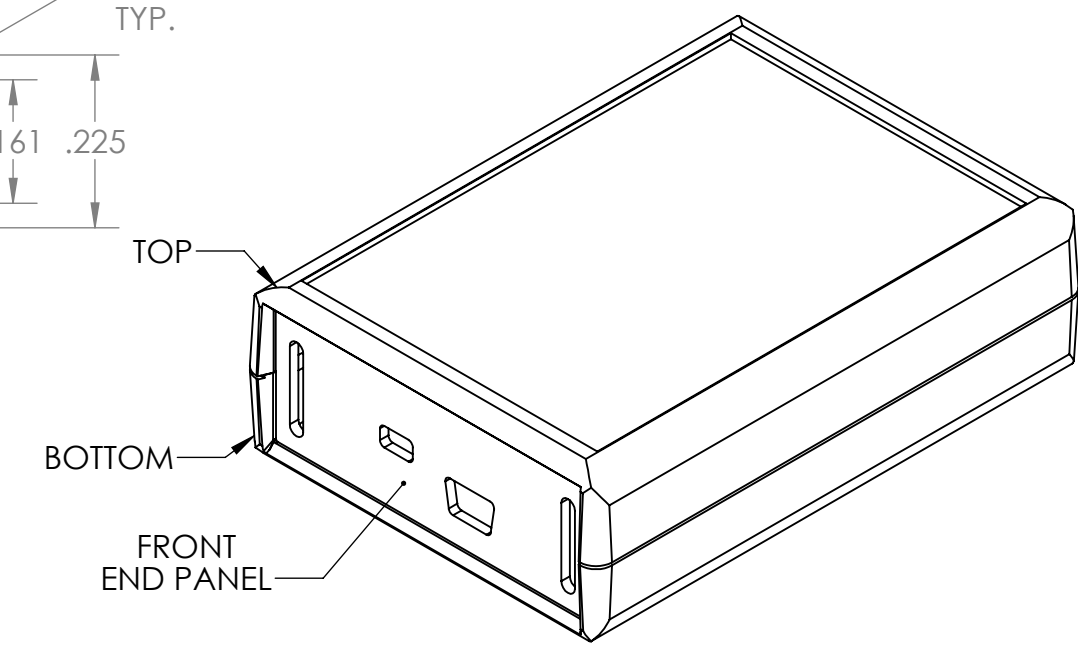
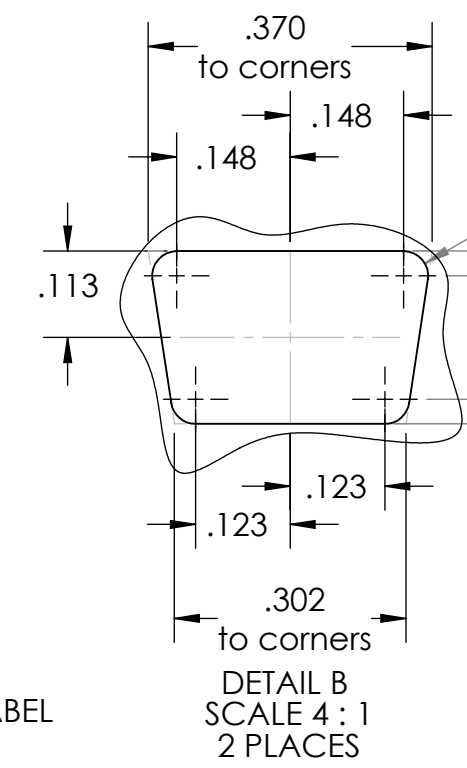
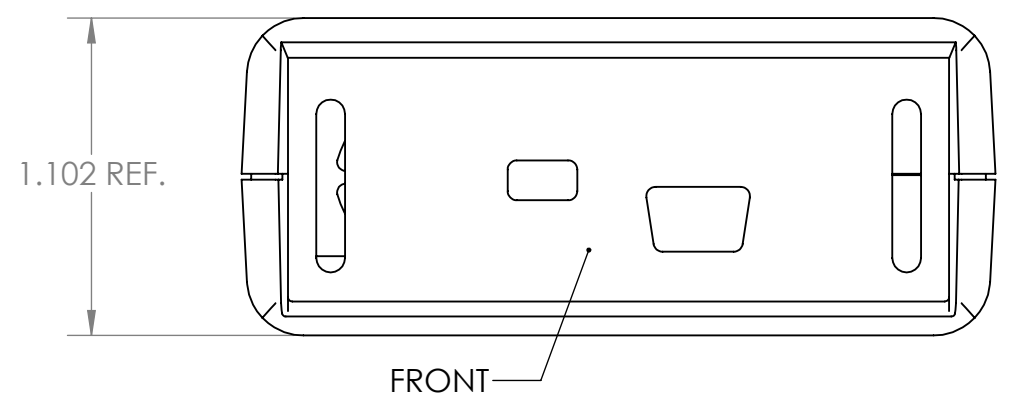
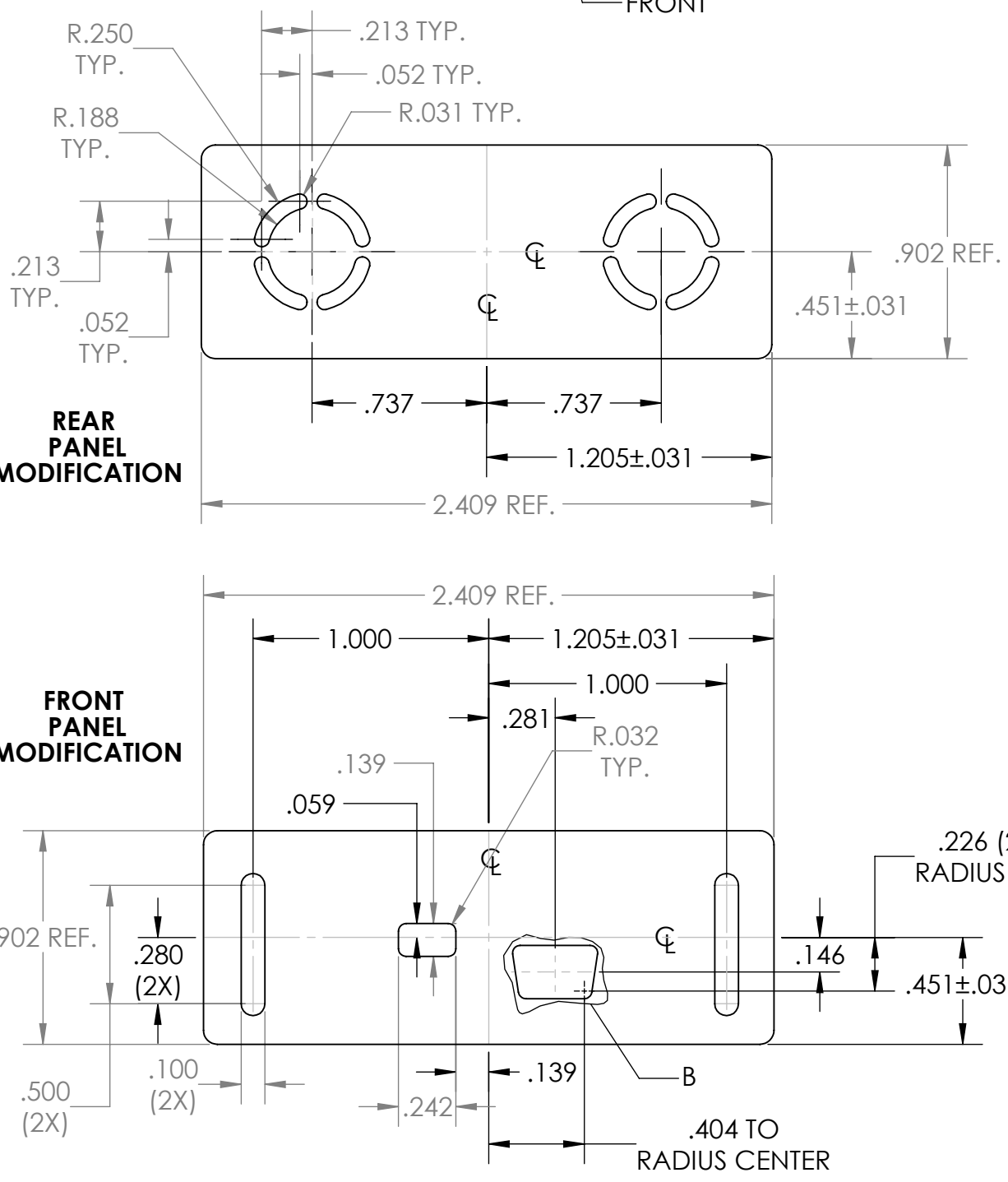
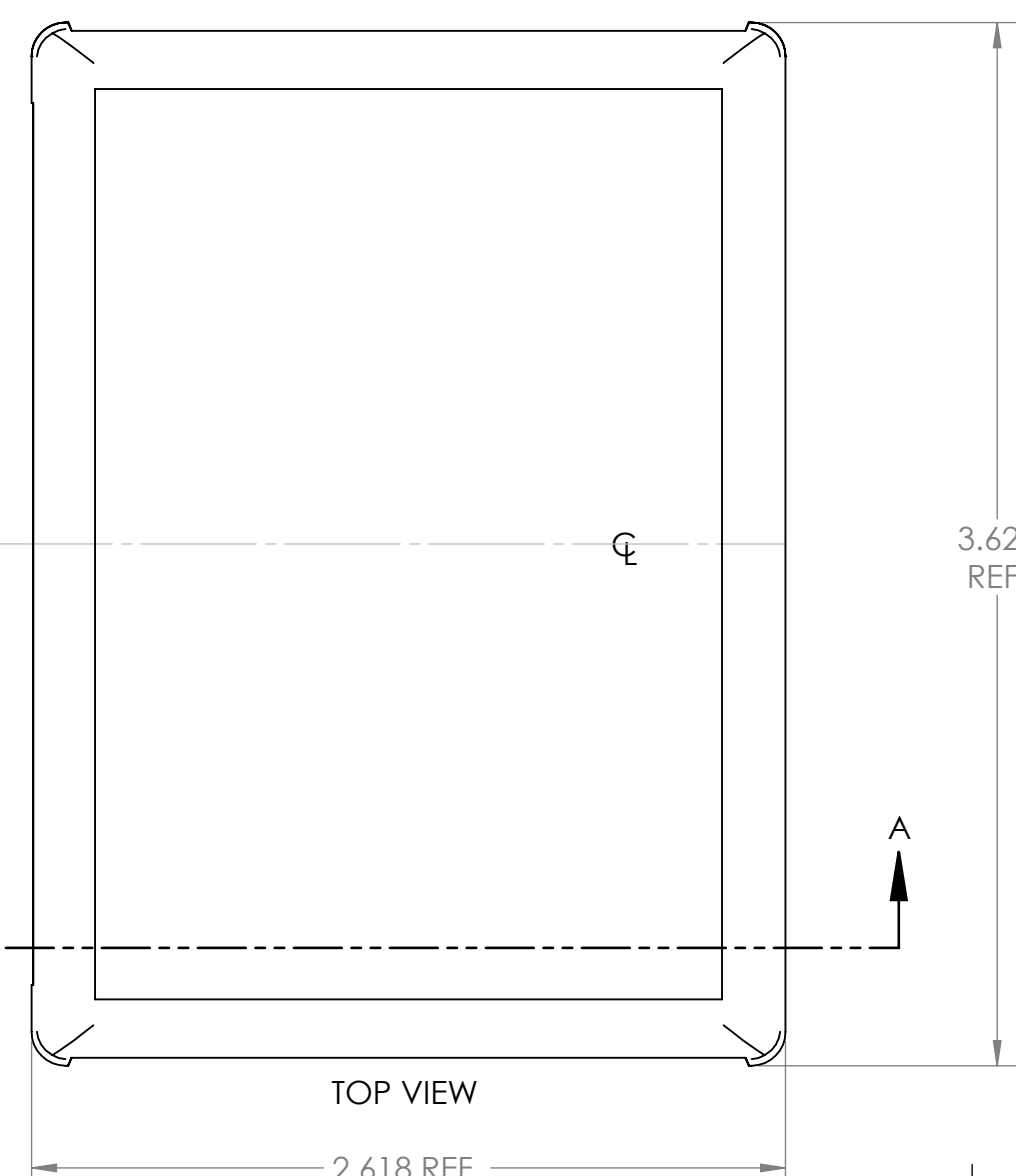
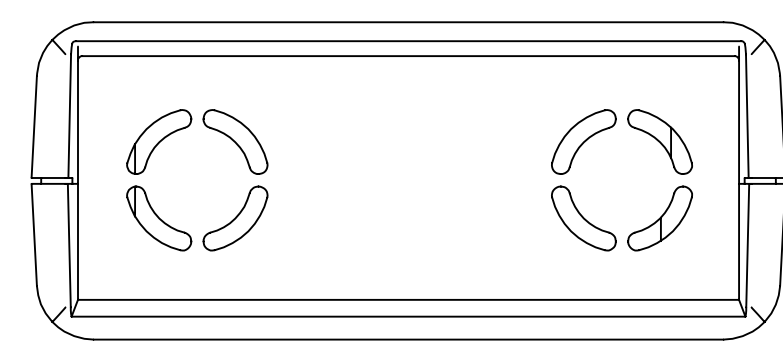
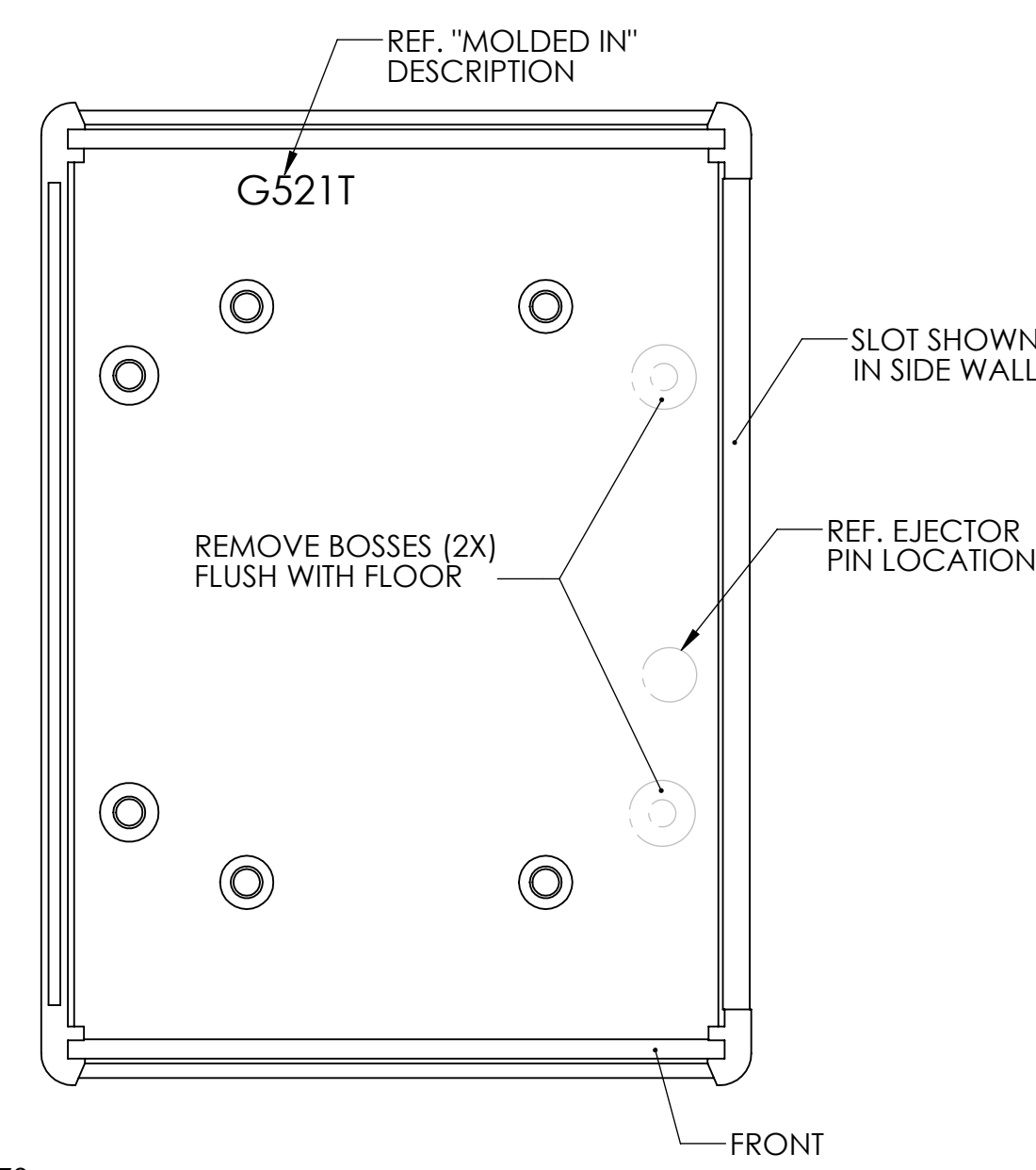
VIEW 1

INSIDE VIEW OF BOTTOM
 SEE SECTION A-A FOR DETAILS



VIEW 2

INSIDE VIEW OF TOP
 SEE SECTION A-A FOR DETAILS



- NOTES:
1. THIS IS A BUD STANDARD HP-3651-B MODIFIED WITH CUSTOM CUTOUTS, BOSSES REMOVED, AND BOSSES MODIFIED.
 2. MUST BE ASSEMBLED AND ORIENTED AS SHOWN.
 3. MATERIAL/FINISH: ABS/BLACK

PARTS LIST		BUD INDUSTRIES INC.	
+/- .003 HOLE DIAMETERS +/- .005 BETWEEN HOLE CENTERS +/- .031 FROM MATERIAL EDGE +/- .005 FROM CENTERLINE OF PART UNLESS OTHERWISE SPECIFIED MATERIAL		CAD GENERATED DRAWING, DO NOT MANUALLY UPDATE APPROVALS DATE DRAWN SS 2/4/13 CHECKED APPROVED	
FINISH AS NOTED QTY. USED ON DO NOT SCALE DRAWING		SCALE DWG. NO. FBB-3675 SHEET 1 OF 1	