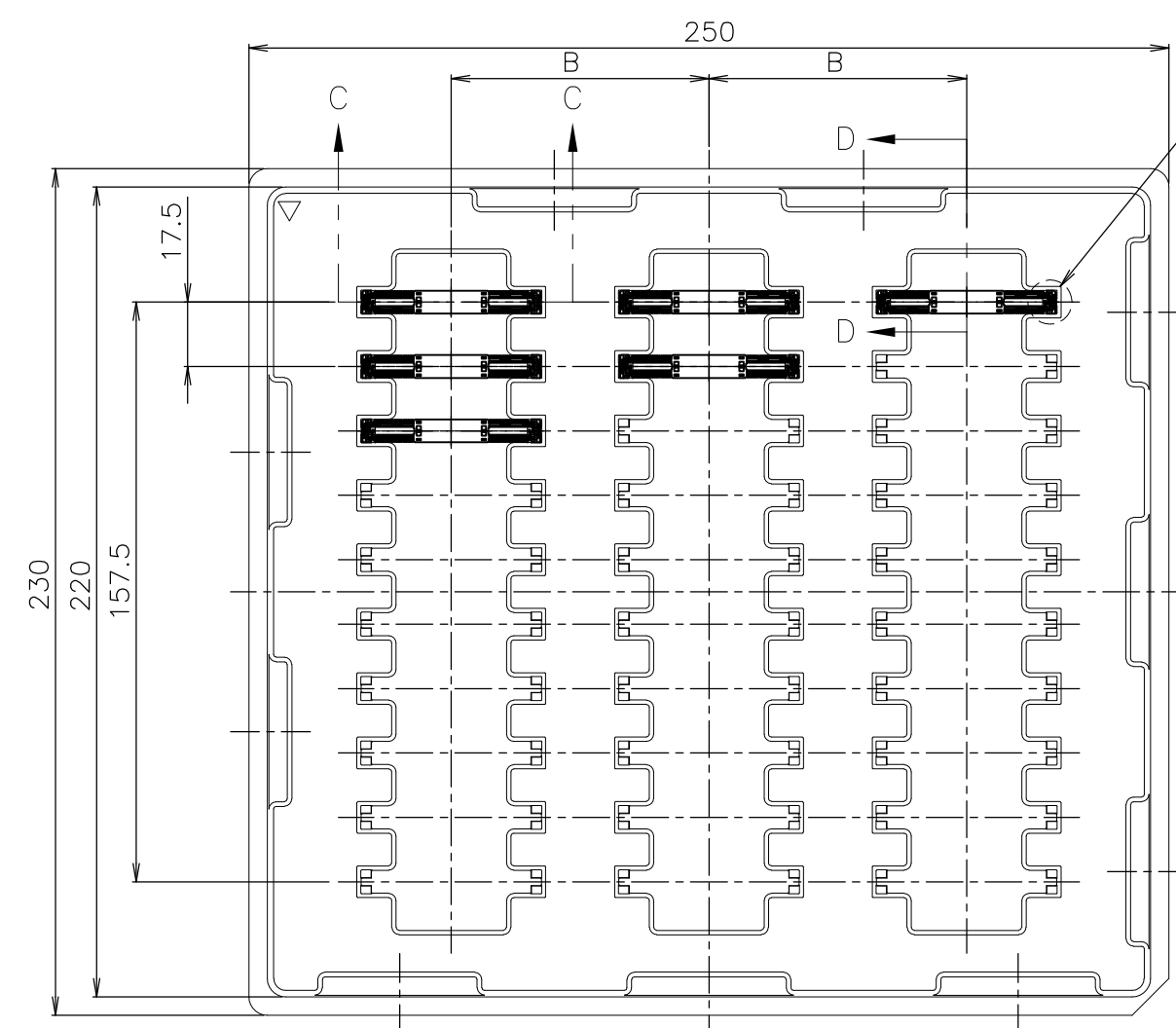
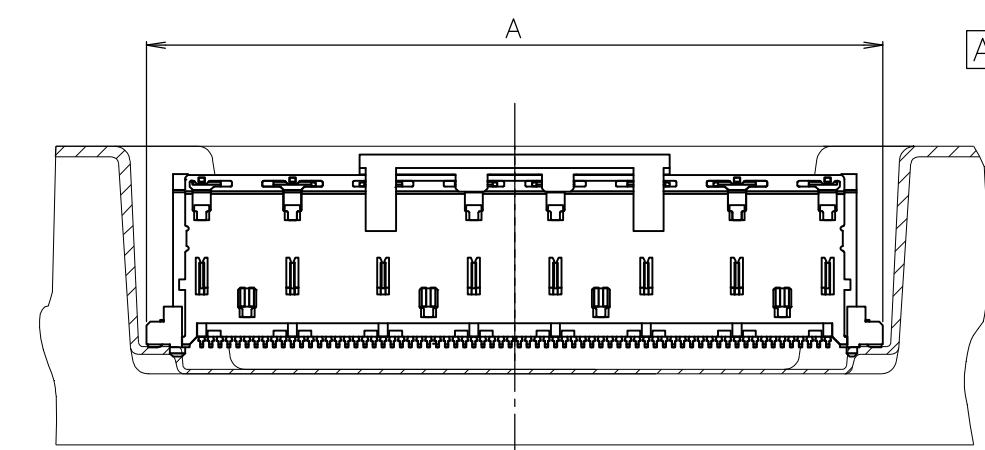


THIS DRAWING IS UNPUBLISHED. RELEASED FOR PUBLICATION OCT. 2008.  
 © COPYRIGHT 2008 By - ALL RIGHTS RESERVED.

LOC	DIST	REVISIONS			DATE	DWN	APVD
J		P	LTR	DESCRIPTION			
		A1		OBSOLETE	02APR2015	I.T	W.H

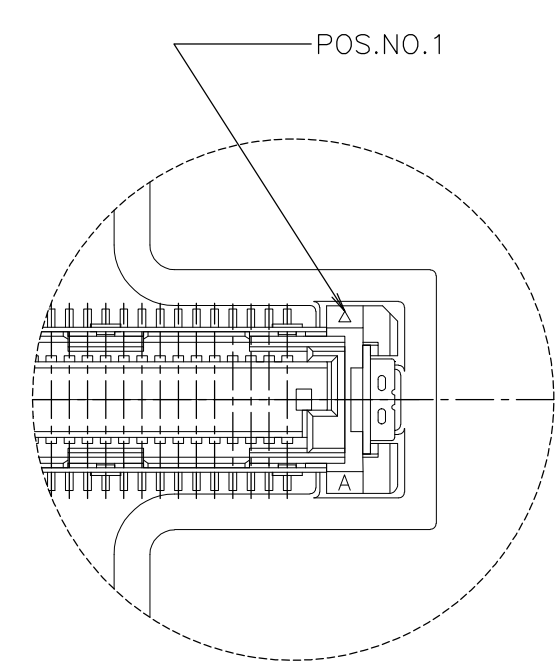


SEE DETAIL E

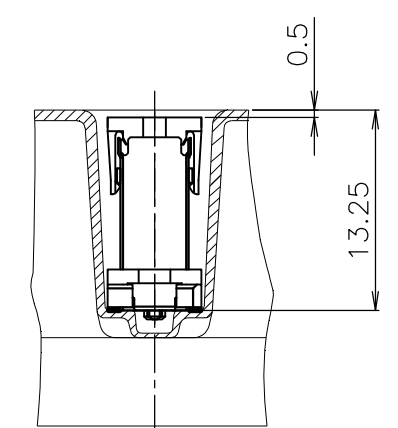


AS SHOWN:TYPE-1

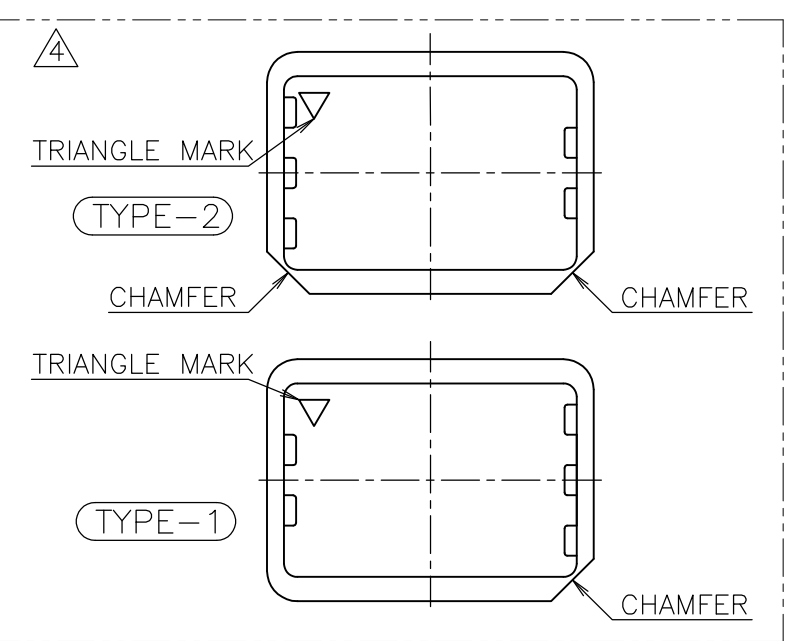
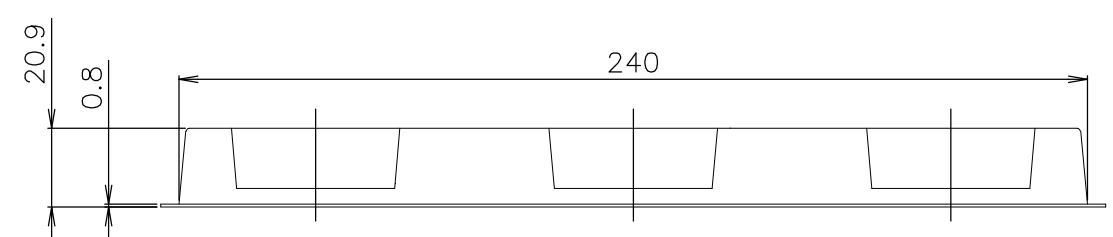
C-C (SCALE 2:1)



DETAIL E (SCALE 4:1)



D-D (SCALE 2:1)



⚠ TRAY TYPE-1 AND TYPE-2 MUST BE PILED UP BY TURNS.  
(REFER TO PACKING SPECIFICATIONS)

(A1)	OBSOLETE	NON SEALANT	AVAILABLE	3	30	70	48.7	140	2069478	1
		SEALANT	TOOLING STATUS	LOW	QTY	B	A	POS.	PART NO.	

THIS DRAWING IS A CONTROLLED DOCUMENT.		DWN Y.OKOSHI 21OCT2008	<b>STE</b> TE Connectivity		
DIMENSIONS: ??? ? mm		CHK S.KAJINUMA 21OCT2008			
TOLERANCES UNLESS OTHERWISE SPECIFIED: ????		APVD T.FUTATSUGI 21OCT2008	NAME ??		
0 PLC ± -		PRODUCT SPEC 108-60047	SOFT TRAY ASSY		
1 PLC ± -		APPLICATION SPEC 114-5255	FH 0.6BTB CONNECTOR		
2 PLC ± -		WEIGHT	SIZE A3	CAGE CODE 00779	DRAWING NO C-2069478
3 PLC ± -			RESTRICTED TO		
4 PLC ± -			SCALE ?? 1:2		
ANGLES ± -			SHEET 1 OF 3		
FINISH ??			REV A1		
MATERIAL ??			CUSTOMER DRAWING		

GENERAL TOLERANCE 一般公差  
 10 ≥ ±0.2  
 30 ≥ >10: ±0.25  
 100 ≥ >30: ±0.3  
 ANGLES: ±3°

4

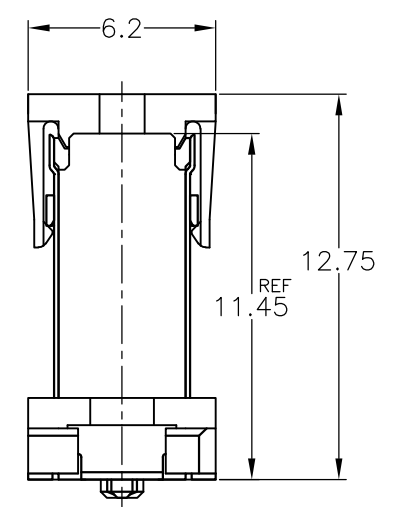
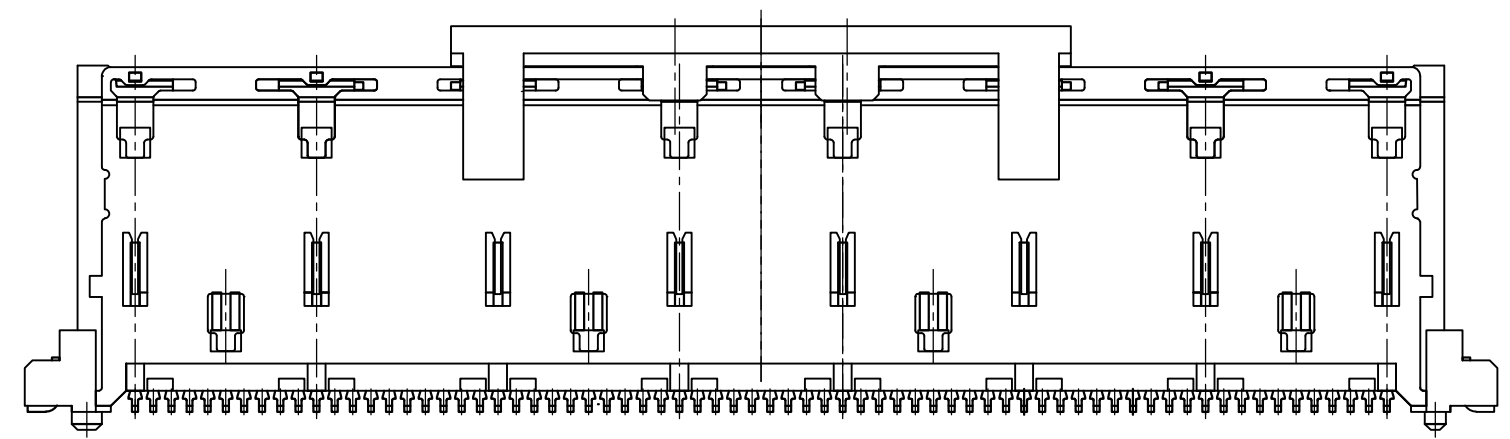
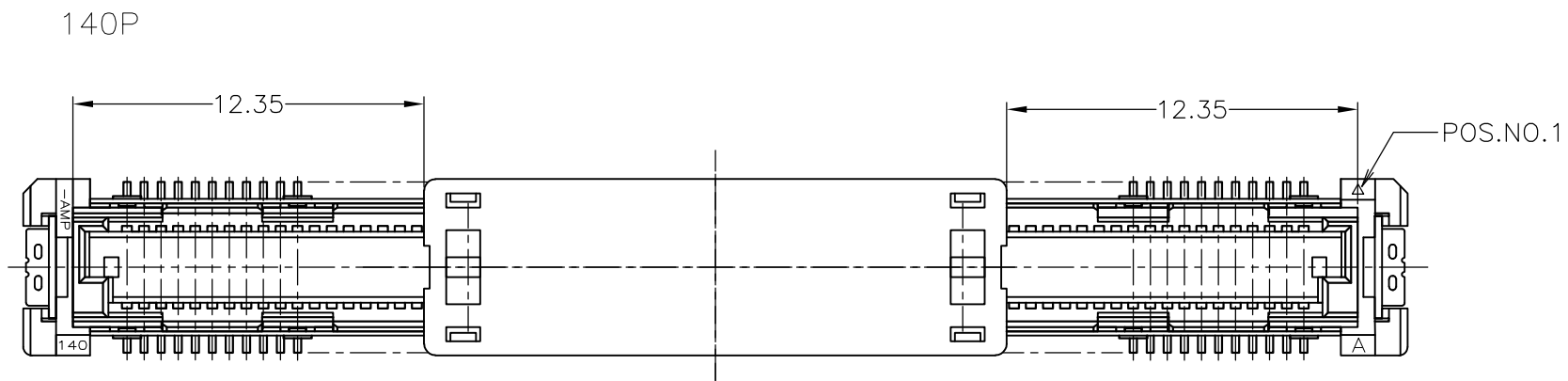
3

2

1

THIS DRAWING IS UNPUBLISHED.      RELEASED FOR PUBLICATION      OCT , 2008.  
 © COPYRIGHT 2008 By -      ALL RIGHTS RESERVED.

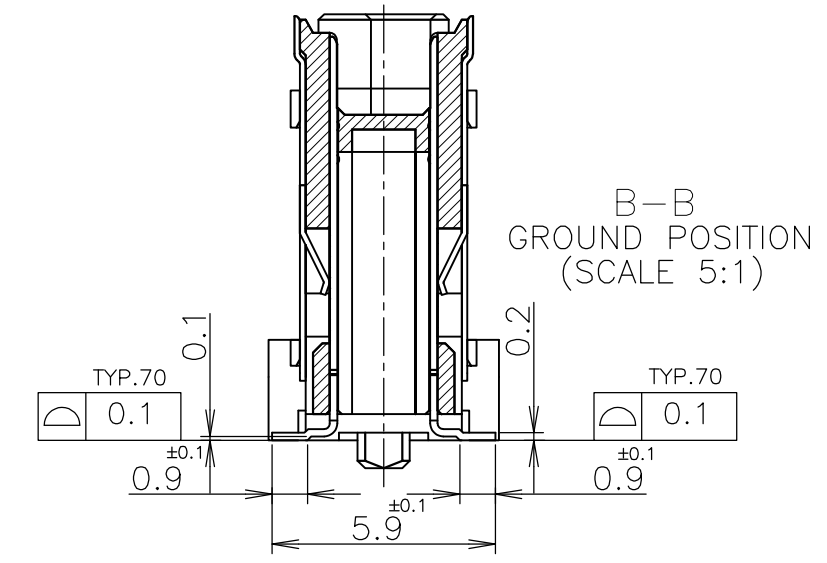
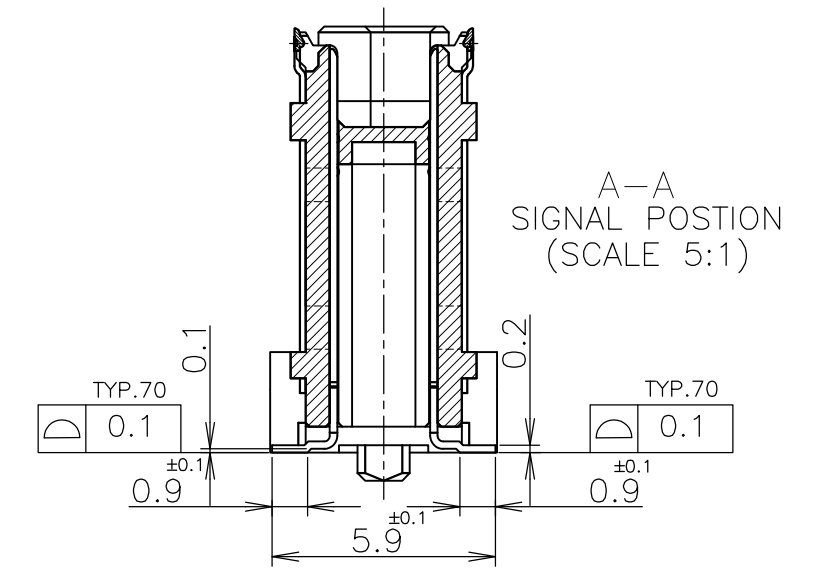
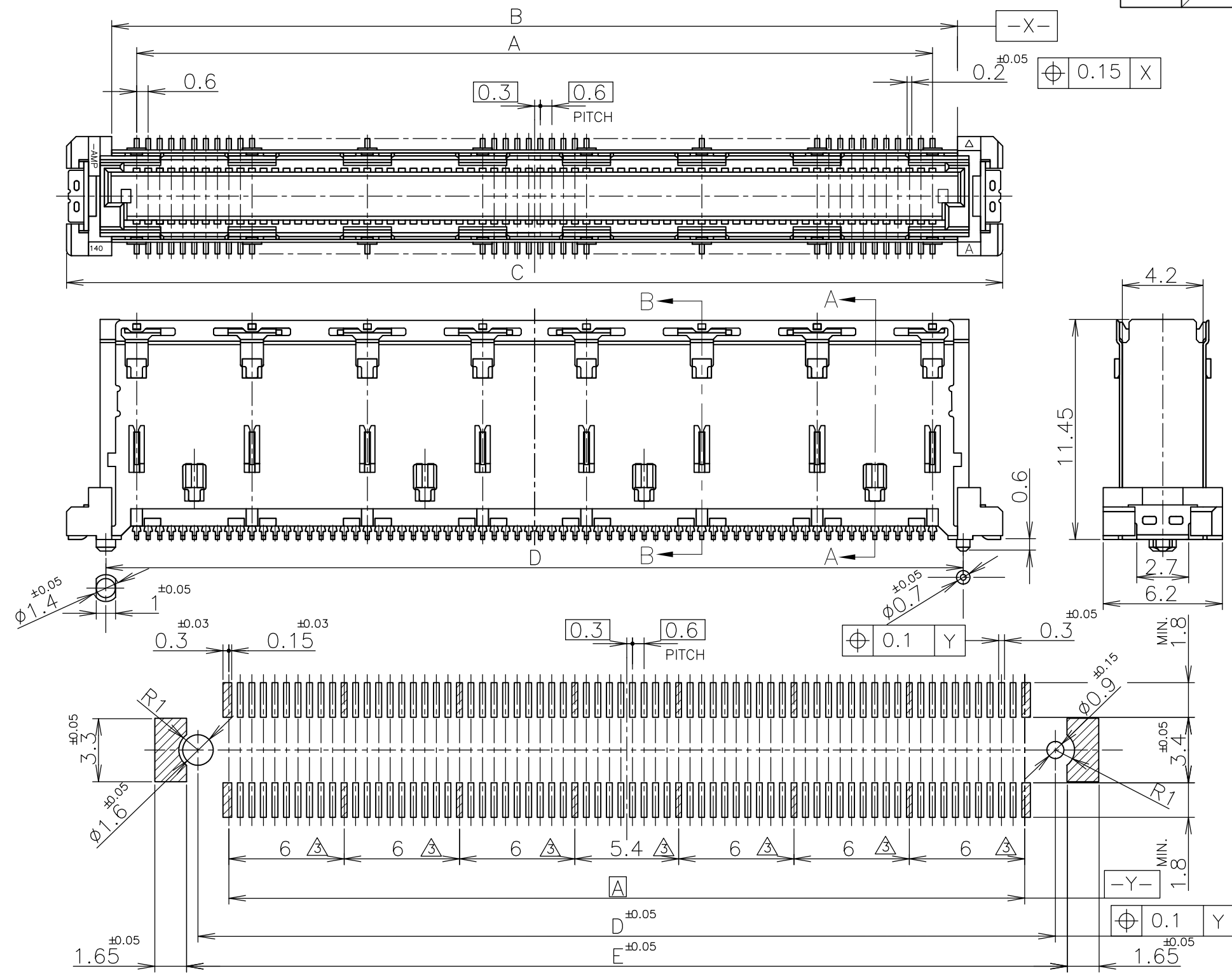
LOC J	DIST	REVISIONS ??					
		P	LTR	DESCRIPTION	DATE	DWN	APVD
			-	SEE SHEET 1	-	-	-



THIS DRAWING IS A CONTROLLED DOCUMENT.		DWN	<b>STE</b> TE Connectivity			
DIMENSIONS:      TOLERANCES UNLESS OTHERWISE SPECIFIED: ??? ?      mm      ????		CHK				
MATERIAL      FINISH ??      ??		APVD	NAME ??			
0 PLC      ± - 1 PLC      ± - 2 PLC      ± - 3 PLC      ± - 4 PLC      ± - ANGLES      ± -		PRODUCT SPEC ????	SOFT TRAY ASSY FH 0.6BTB CONNECTOR PLUG 12H W/G-PLATE AND CAP			
A		APPLICATION SPEC ??????	SIZE	CAGE CODE	DRAWING NO	RESTRICTED TO
A		WEIGHT	A3	00779	C-2069478	
CUSTOMER DRAWING			SCALE	SHEET	REV	
			?? 1:2	2 OF 3	A1	

THIS DRAWING IS UNPUBLISHED. RELEASED FOR PUBLICATION OCT. 2008.  
 © COPYRIGHT 2008 By - ALL RIGHTS RESERVED.

LOC	DIST	REVISIONS					
J		P	LTR	DESCRIPTION	DATE	DWN	APVD
		-		SEE SHEET 1	-	-	-



REFERENCE P.C.BOARD LAYOUT

45.8	44.6	48.7	44	41.4	140	2069478-1
E	D	C	B	A	POS	PART NO.

- 1 MATERIAL ; HOUSING : HIGH TEMP THERMO PLASTIC  
UL94V-0  
CONTACT : COPPER ALLOY
- 2 FINISH ; UNDER PL Ni 0.0013mm MIN ALL OVER.  
CONTACT AREA 0.00076 MIN Au PL.  
SOLDERING AREA 0.001 MIN TIN PL.
- 3 THIS POSITION IS GROUND CIRCUIT.

GENERAL TOLERANCE  
一般公差

10 ≥	±0.2
30 ≥	>10:±0.25
100 ≥	>30:±0.3
ANGLES: ±3°	

THIS DRAWING IS A CONTROLLED DOCUMENT.

DIMENSIONS: ??? ? mm	TOLERANCES UNLESS OTHERWISE SPECIFIED: ????
0 PLC ± -	
1 PLC ± -	
2 PLC ± -	
3 PLC ± -	
4 PLC ± -	
ANGLES ± -	
FINISH ??	

MATERIAL ??

DWN
CHK
APVD
PRODUCT SPEC
APPLICATION SPEC
WEIGHT

**STE** TE Connectivity

NAME ??

SOFT TRAY ASSY  
FH 0.6BTB CONNECTOR  
PLUG 12H W/G-PLATE

SIZE	CAGE CODE	DRAWING NO	RESTRICTED TO
A3	00779	C-2069478	

CUSTOMER DRAWING

SCALE ?? 4:1 SHEET 3 OF 3 REV A1