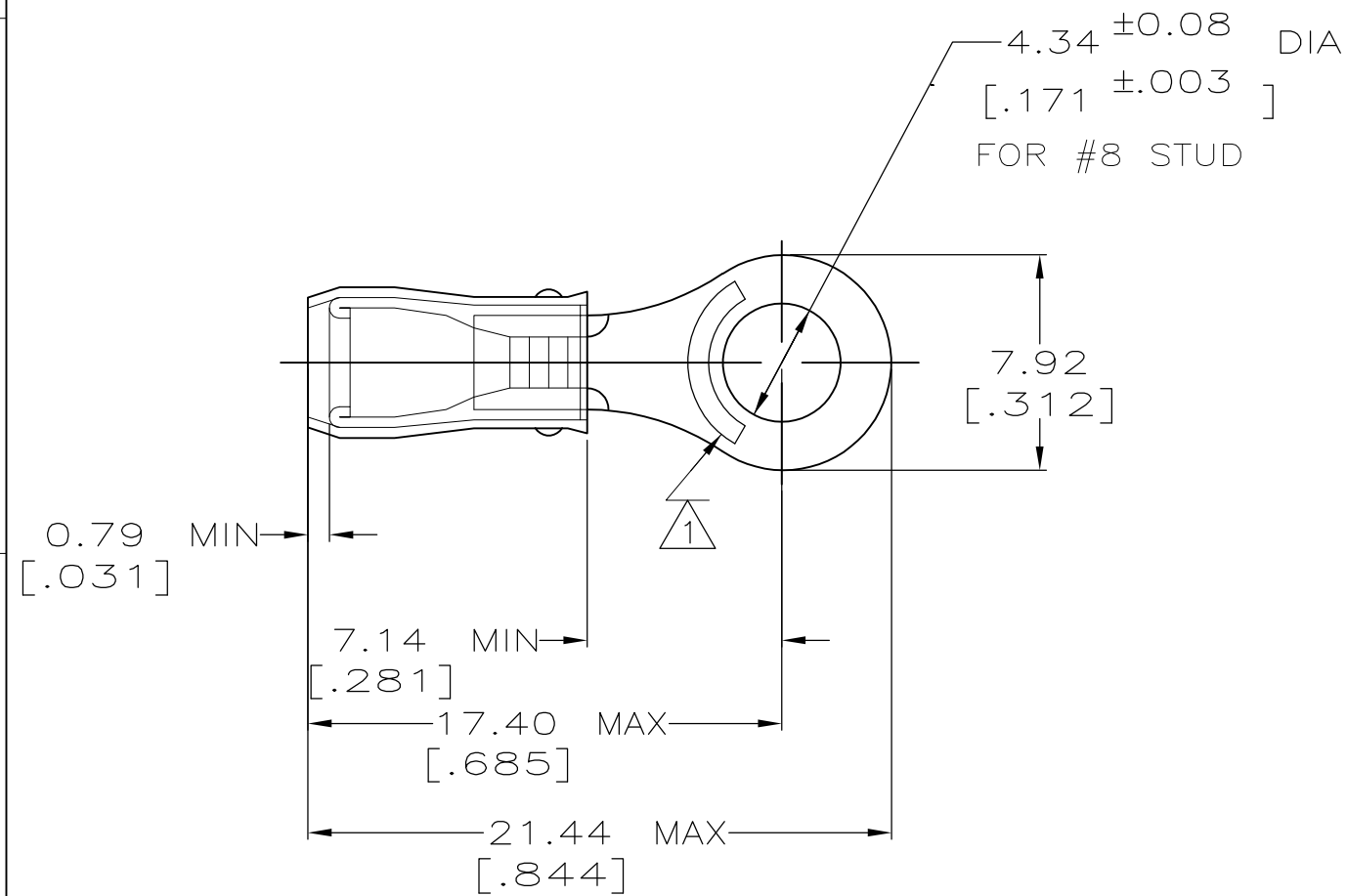


THIS DRAWING IS UNPUBLISHED. RELEASED FOR PUBLICATION - , - .  
 © COPYRIGHT - By - ALL RIGHTS RESERVED.

LOC	DIST	REVISIONS			
P	LTR	DESCRIPTION	DATE	DWN	APVD
G	14	U1	REVISED PER ECO-11-004917	11MAR11	RK HMR

<b>AMP</b> WIRE RANGE	Listed	LR7189 Certified
22-16 AWG SOLID OR STRANDED	22-16 AWG SOLID OR STRANDED	22-16 AWG SOLID OR STRANDED



- ① STAMP AMP 22-18\* APPROX AS SHOWN  
22-16 TERMINALS ARE STAMPED 22-18 IN  
ACCORDANCE WITH MILITARY SPEC MIL-T-7928  
COMMERCIAL WIRE RANGE IS 22-16
- 2 WIRE INSULATION DIA: .080 - .125
- 3 TONGUE MATERIAL THK: 0.79 ±0.05 [.031 ±.002]
- ④ TIN PL 0.00254 [.000100] MIN EXT  
THK PER MIL-T-10727
- ⑤ GOLD PL 0.00127 [.000050] MIN EXT  
THK PER MIL-G-45204 TYPE II OVER  
NICKEL PL 0.00762 [.000030] MIN EXT  
THK PER QQ-N-290

-	-	LOOSE PIECE	⑤ 2-31888-1
-	-	LOOSE PIECE	④ 31888
MILITARY P/N AND CLASS	QUANTITY	PACKAGE TYPE	PART NO

THIS DRAWING IS A CONTROLLED DOCUMENT.		DWN DK SCHRUM 02/11/93	TE Connectivity	
DIMENSIONS: MM[INCHES]		CHK RE HERSEY 4/28/93		
TOLERANCES UNLESS OTHERWISE SPECIFIED:		APVD ML ELLIS 4/28/93	NAME TERMINAL, RING TONGUE, PIDG™, WIRE SIZE, 22-16 AWG	
0 PLC ± - 1 PLC ± - 2 PLC ± 0.20[.008] 3 PLC ± - 4 PLC ± - ANGLES ± -		PRODUCT SPEC UL 486A	RESTRICTED TO -	
MATERIAL COPPER PER ASTM B-152 SLEEVE, RED VINYL		FINISH SEE	APPLICATION SPEC NOT AVAILABLE	SIZE A3
		WEIGHT -	CAGE CODE 00779	DRAWING NO C-31888
CUSTOMER DRAWING			SCALE 4:1	SHEET 1 OF 1
			REV U1	