

PRODUCT NO.	⑥ CONNECTOR	DIM J	DIM K
10085305-0010ELF	10085305-0010ALF	56.4	62.4
10085305-0101ELF	10085305-0101PALF	56.4	62.4
10085305-0901ELF	10085305-0901ALF	56.4	62.4
10085305-0110ELF	10085305-0110PALF	56.4	62.4
10085305-0110PELF	10085305-0110PALF	44.4	50.4
10085305-2010ELF	10085305-2010ALF	56.4	62.4
10085305-2110ELF	10085305-2110PALF	56.4	62.4
10085305-2110PELF	10085305-2110PALF	44.4	50.4
10085305-2101ELF	10085305-2101PALF	56.4	62.4
10085305-4100ELF	10085305-4100PALF	56.4	62.4
10085305-4100PELF	10085305-4100PALF	44.4	50.4

NOTE

1. THIS ARTICLE CARRIES OUT THE EMBOSS TAPE PACKAGE OF THE SLIM LINE SATA CONNECTOR.
2. THE SHAPE AND DIMENSION OF THIS ARTICLE ARE BASED ON JIS C 0806.
(TAPING OF ELECTRIC PARTS < SURFACE MOUNTED DEVICE)
3. PACKAGING SPEC. : REFER TO GS-14-1268
4. PRODUCT SPEC. : REFER TO GS-12-543

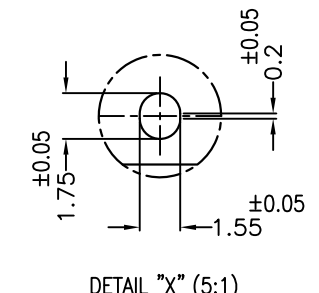
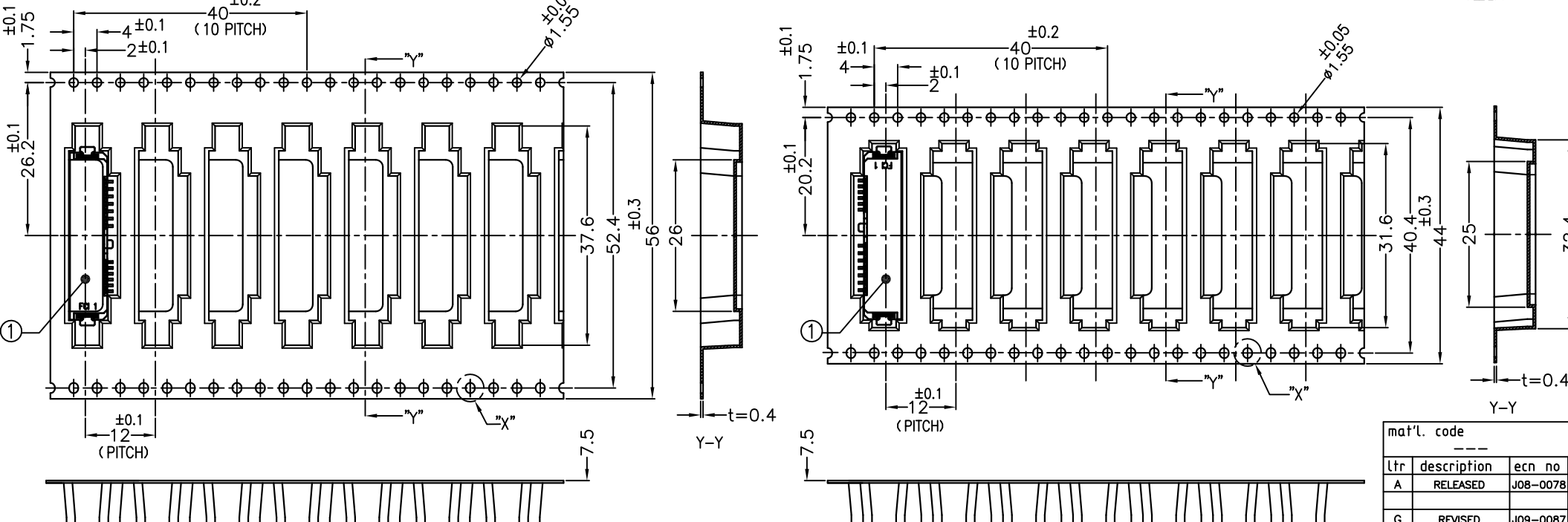
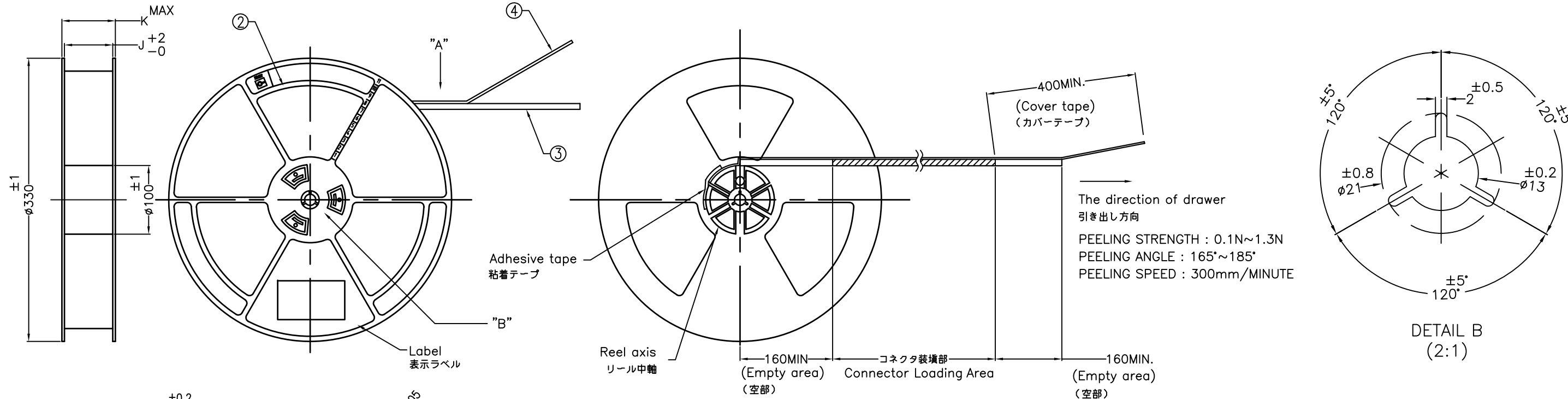
注記

1. 本品はスリムラインシリアルエーティーエーコネクタをエンボステープ梱包したものである。
2. 本品の形状及び寸法規定は JIS C 0806 (電子部品のテーピング (表面実装部品)) に準拠する。
3. 梱包規格はGS-14-1268を参照のこと
4. 製品規格はGS-12-543を参照のこと

EMBOSS PACKAGE

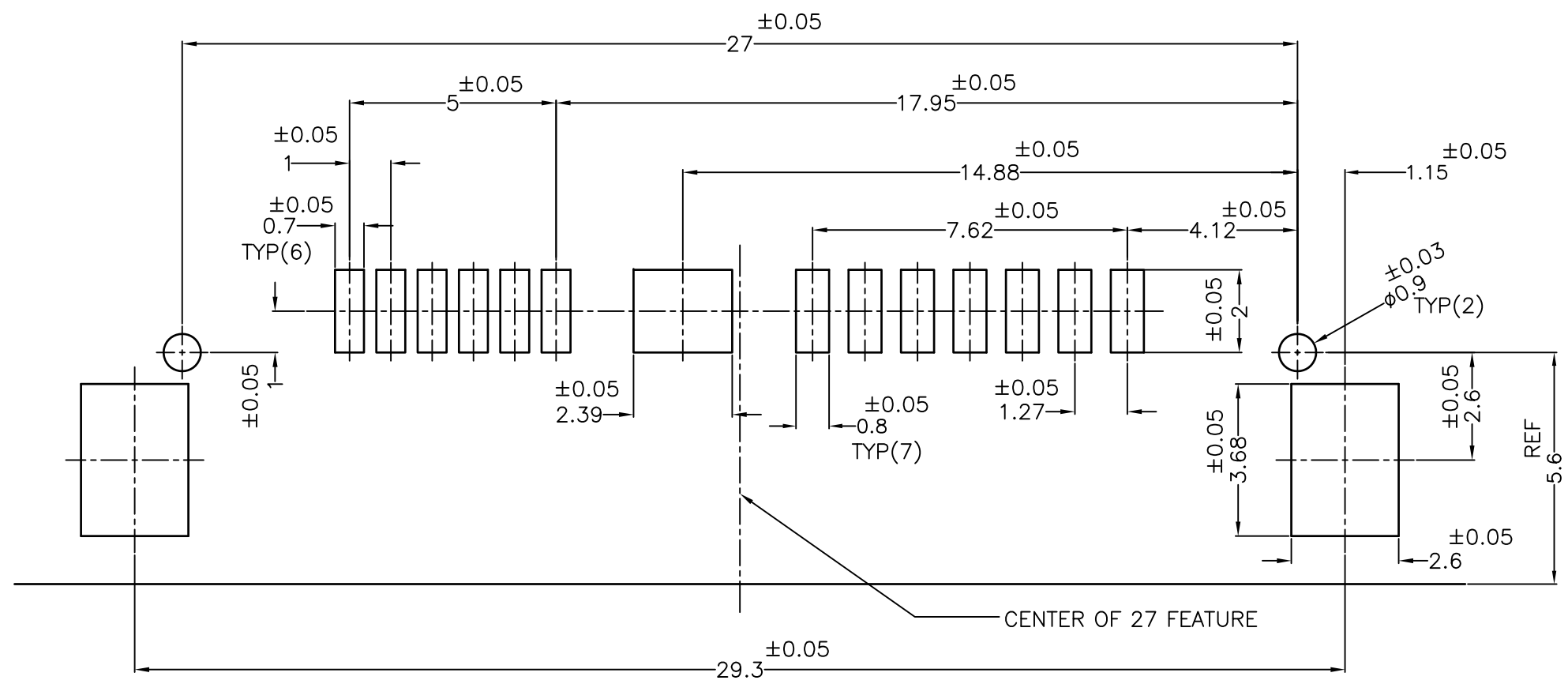
PARTS TABLE 部品表

No.	PART NAME 部品名	MATERIAL 材質	QTY.	NOTE 備考
①	CONNECTOR コネクタ	SEE SHEET 2	600	
②	THE REEL FOR PACKAGING 梱包用リール	POLYSTYRENE ポリスチレン	1	Color : BLACK or BLUE ELECTRIFICATION PREVENTION PROCESSING 色 : 黒または青、帯電防止処理品
③	EMBOSS TAPE エンボステープ	PET	1	ELECTRIFICATION PREVENTION PROCESSING 帯電防止処理品
④	COVER TAPE カバーテープ	POLYESTER ポリエステル	1	

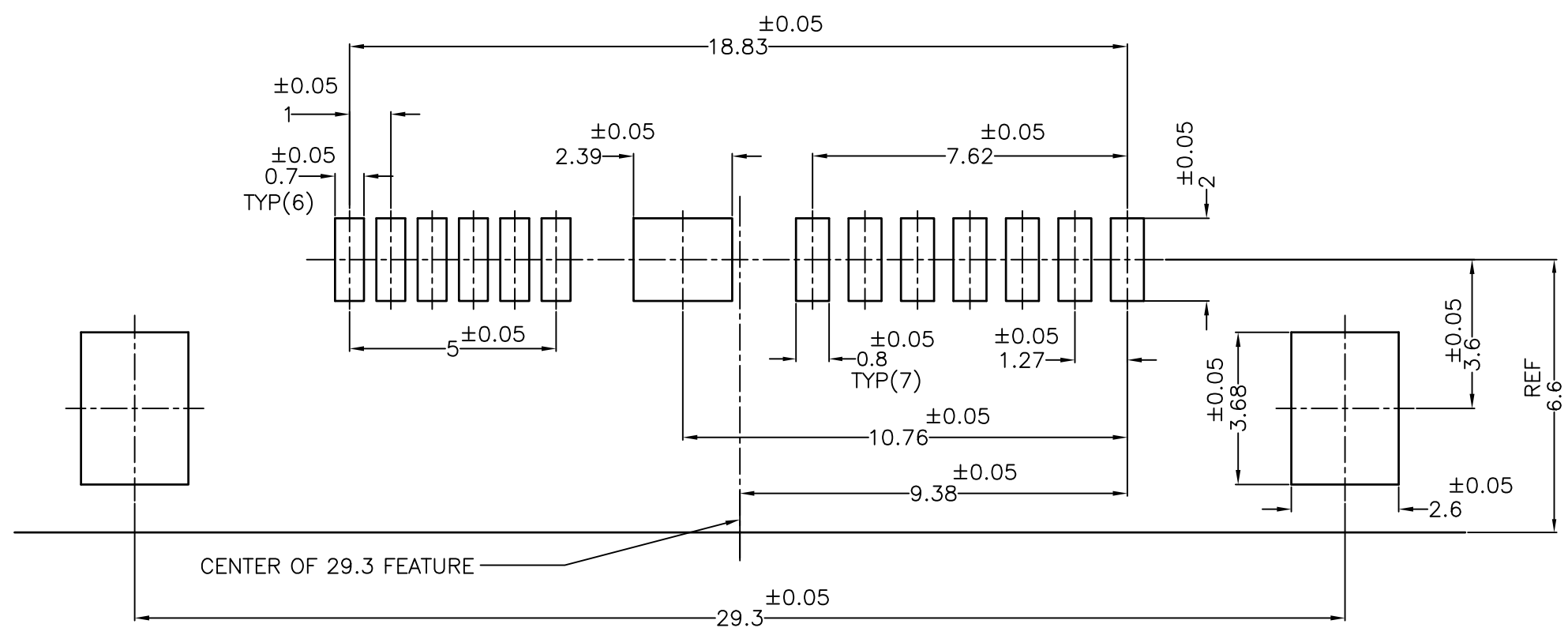


mat'l. code		surface		tolerance		projection		product family		CODE	
---		ISO 1302		ISO 406		mm		530F SATA PLUG SLIM LINE		JP	
A		RELEASED		J08-0078		N.S		2008-2-28		SLIM LINE SATA 7+6P PLUG STANDARD, R/A SMT	
G		REVISED		J09-0087		N.S		2009-3-6		scale 1:3	
H		REVISED		J09-0134		N.S		2009-4-13		N.SASAME 2012-04-19	
J		REVISED		J09-0225		N.S		2009-6-10		enr N.SASAME 2012-04-19	
K		REVISED		J09-0425		N.S		2010-1-27		chr AP.LIM 2012-04-19	
L		REVISED		EX-J-011347		N.S		2012-04-19		appd M.KAJIURA 2012-04-19	
sheet index		revision		L		L		L		L	
1		2		3		4				Rev. L	

FCI
FCIconnect.com
Copyright FCI



RECOMMENDED PCB PATTERN LAYOUT (WITH BOSS TYPE)



RECOMMENDED PCB PATTERN LAYOUT (WITHOUT BOSS TYPE)

FCI
FCIconnect.com
Copyright FCI

mat'l. code		surface		tolerance		projection		product family		CODE	
---		ISO 1302		ISO 406		1st angle		530F SATA PLUG SLIM LINE		JP	
A		RELEASED		J08-0078		N.S		2008-2-28		tolerances unless otherwise specified	
G		REVISED		J09-0087		N.S		2009-3-6		0.X ±0.2	
H		REVISED		J09-0134		N.S		2009-4-13		0.XX ±0.2	
J		REVISED		J09-0225		N.S		2009-6-10		0.XXX ±0.2	
K		REVISED		J09-0425		N.S		2010-1-27		scale 10:1	
L		REVISED		EX-J-011347		N.S		2012-04-19		sheet 4 of 4 size	
sheet index		revision		sheet		sheet		sheet		sheet	
										A2	
										10085305	
										type PRODUCT CUSTOMER Drawing	
										Rev. L	