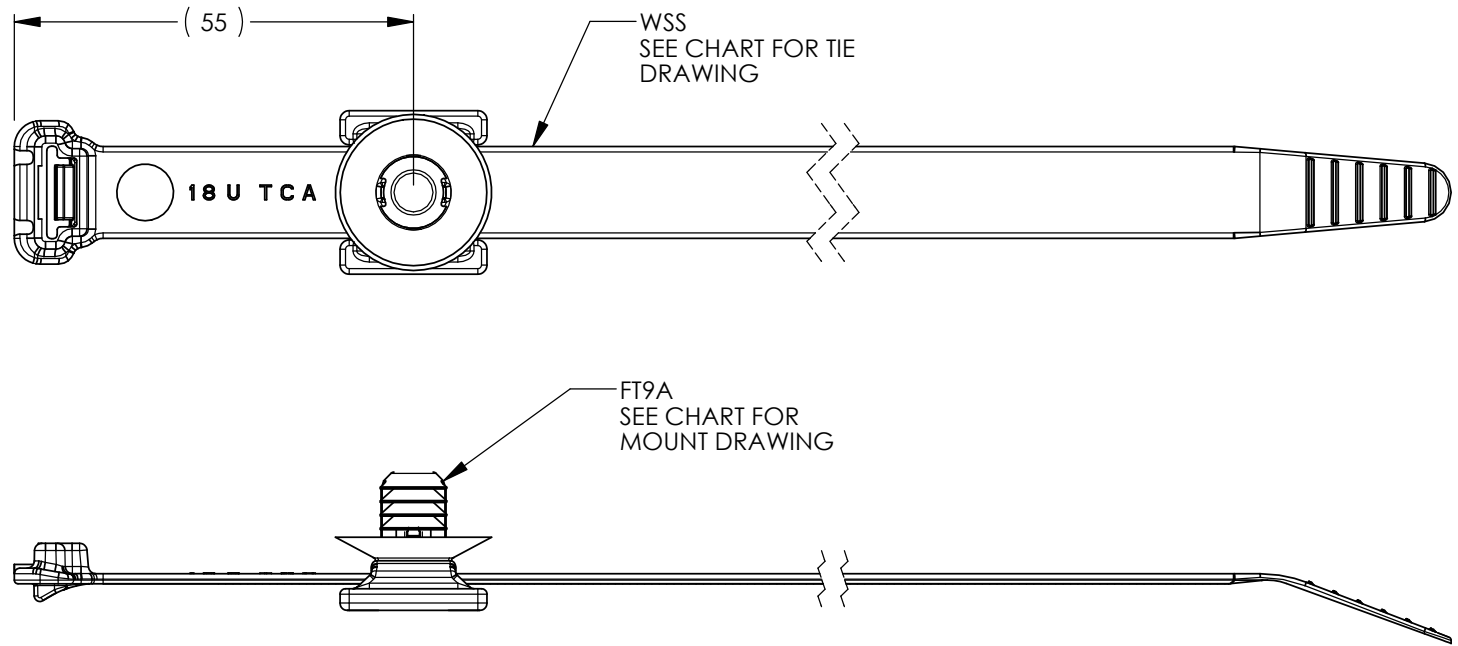


Revision level		Revision Record	Changed	Date	Approved	Date
Part	Drawing					
-	01	See ECN 010432	AAC	05/19/2006	GGG	05/19/2006



SEE INDIVIDUAL PART DRAWINGS

PRODUCT CODE	MATERIAL	BUNDLE RANGE	TIE DRAWING	MOUNT DRAWING
WSSFT9A	PA66HIRHS	9.5 to 57	CT2127004CST	MT2029011CST


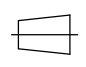
Material

Dimension tolerances unless otherwise specified

.xxxx = ±.013
 .xxx = ±.13
 .xx = ±.3
 .x = ±.8
 ∠ = ±0.5°

Dimension Units millimeters

PERFORMANCE SPECIFICATION

SW 2006  

ALL PROPRIETARY RIGHTS IN THE SUBJECT MATTER SHOWN ON THIS DRAWING ARE EXCLUSIVE PROPERTY OF HELLERMANN TYTON

Drawn AAC 05/19/2006
 Approved GGG 05/19/2006

HellermannTyton®
Cable Management Products

7930 N. Faulkner Rd.
 Milwaukee, WI 53224
 Ph: (414) 355-1130
 Fx: (414) 362-8338

Scale 1:1 Computer File Number CT05-073-002CST_01

Title **WSSFT9A
 T120 WIDE STRAP CABLE TIE
 WITH FT9A MOUNT**

Drawing-No **CT05-073-002CST** Format **AH**

Sheet 1 of 1

Product Number
Cross Reference Record

Uncontrolled Document

Pre-UNS Number System	(New) UNS Universal Number System	Customer Part Number
Product Number WSSFT9A	Product Number 156-00068	Product Number -
Reference Drawing Number: CT05-073-002CST		

Issued By:	(New) UNS Product Number	Issue Date:
HellermannTyton	Universal Numbering System	February 14, 2014