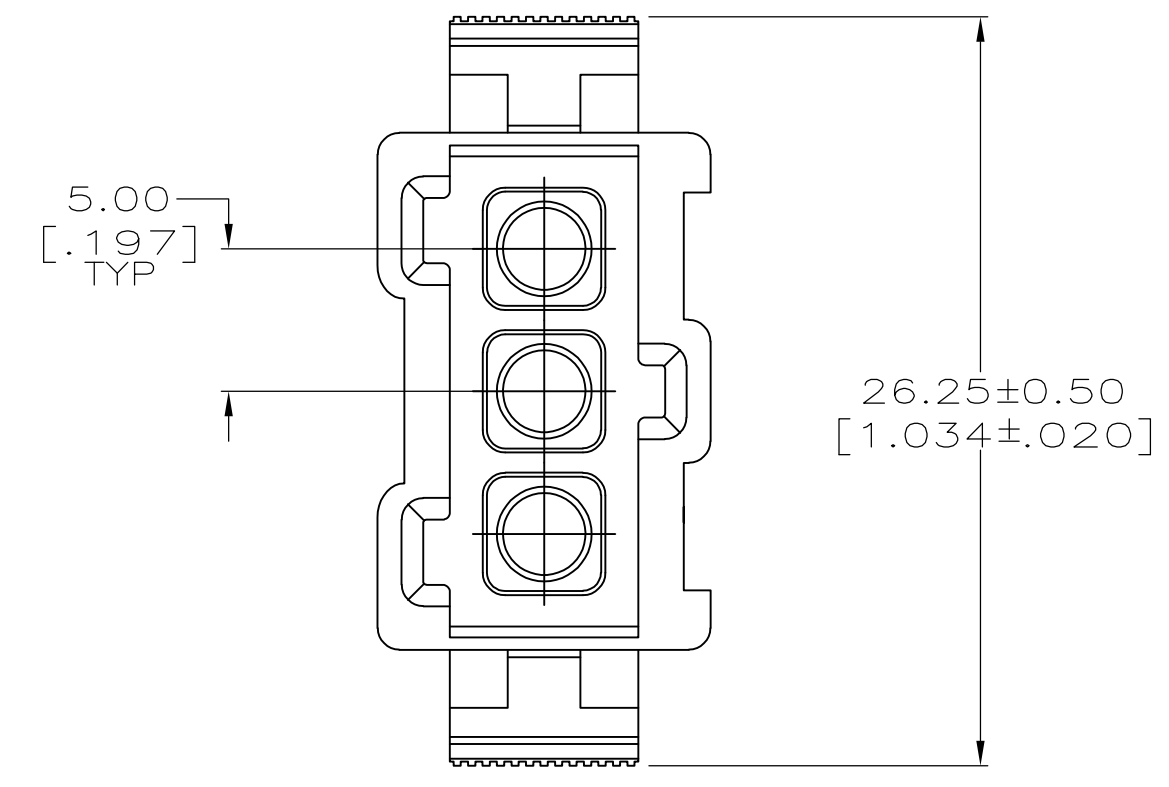
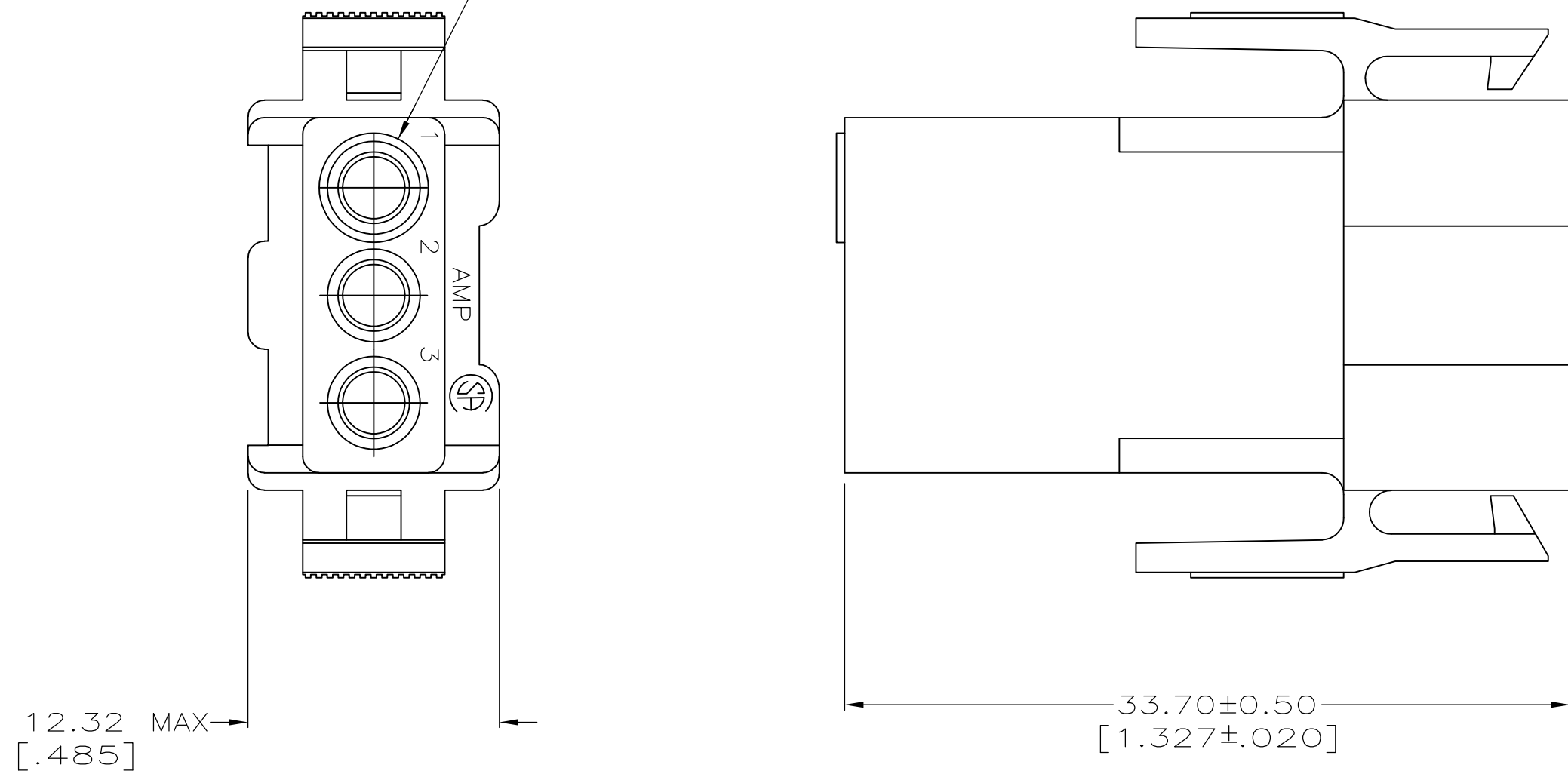


THIS DRAWING IS UNPUBLISHED. RELEASED FOR PUBLICATION
 © COPYRIGHT - By - ALL RIGHTS RESERVED.

LOC	DIST	REVISIONS			
P	LTR	DESCRIPTION	DATE	DWN	APVD
FT	13	G2 REVISED PER ECO-11-004820	11MAR11	RK	HMR

RAISED CAVITY IDENTIFICATION ON REAR FACE ONLY.



- ▲ ROUNDED EDGES ON THE OUTSIDE AND CHAMFERS BY THE LOCKING LATCHES, REF 928094.
- ▲ OBSOLETE PARTS: OBSOLETE CIS STREAMLINING PER D.RENAUD/D.SINISI

▲2 OBSOLETE ▲1 207359-2
 207359-1

PART NUMBER

THIS DRAWING IS A CONTROLLED DOCUMENT.		DWN J.GALLUCI 14 AUG 91	TE Connectivity													
DIMENSIONS: MM [INCHES]		CHK J.McCLINTON 23 SEP 91														
TOLERANCES UNLESS OTHERWISE SPECIFIED:		APVD A.TRAVIS 23 SEP 91	NAME HOUSING, RECEPTACLE, 3 POSITION, IN-LINE, FREE HANGING, METRIMATE													
<table border="1"> <tr><td>0 PLC</td><td>± -</td></tr> <tr><td>1 PLC</td><td>± -</td></tr> <tr><td>2 PLC</td><td>± 0.25 [.010]</td></tr> <tr><td>3 PLC</td><td>± -</td></tr> <tr><td>4 PLC</td><td>± -</td></tr> <tr><td>ANGLES</td><td>± ± -</td></tr> </table>		0 PLC	± -	1 PLC	± -	2 PLC	± 0.25 [.010]	3 PLC	± -	4 PLC	± -	ANGLES	± ± -	PRODUCT SPEC 108-10033	SIZE A2	
0 PLC	± -															
1 PLC	± -															
2 PLC	± 0.25 [.010]															
3 PLC	± -															
4 PLC	± -															
ANGLES	± ± -															
MATERIAL THERMOPLASTIC RED		FINISH -	WEIGHT -	CAGE CODE 00779												
		DRAWING NO G-207359		RESTRICTED TO -												
		CUSTOMER DRAWING		SCALE 4:1 SHEET 1 OF 1 REV G2												