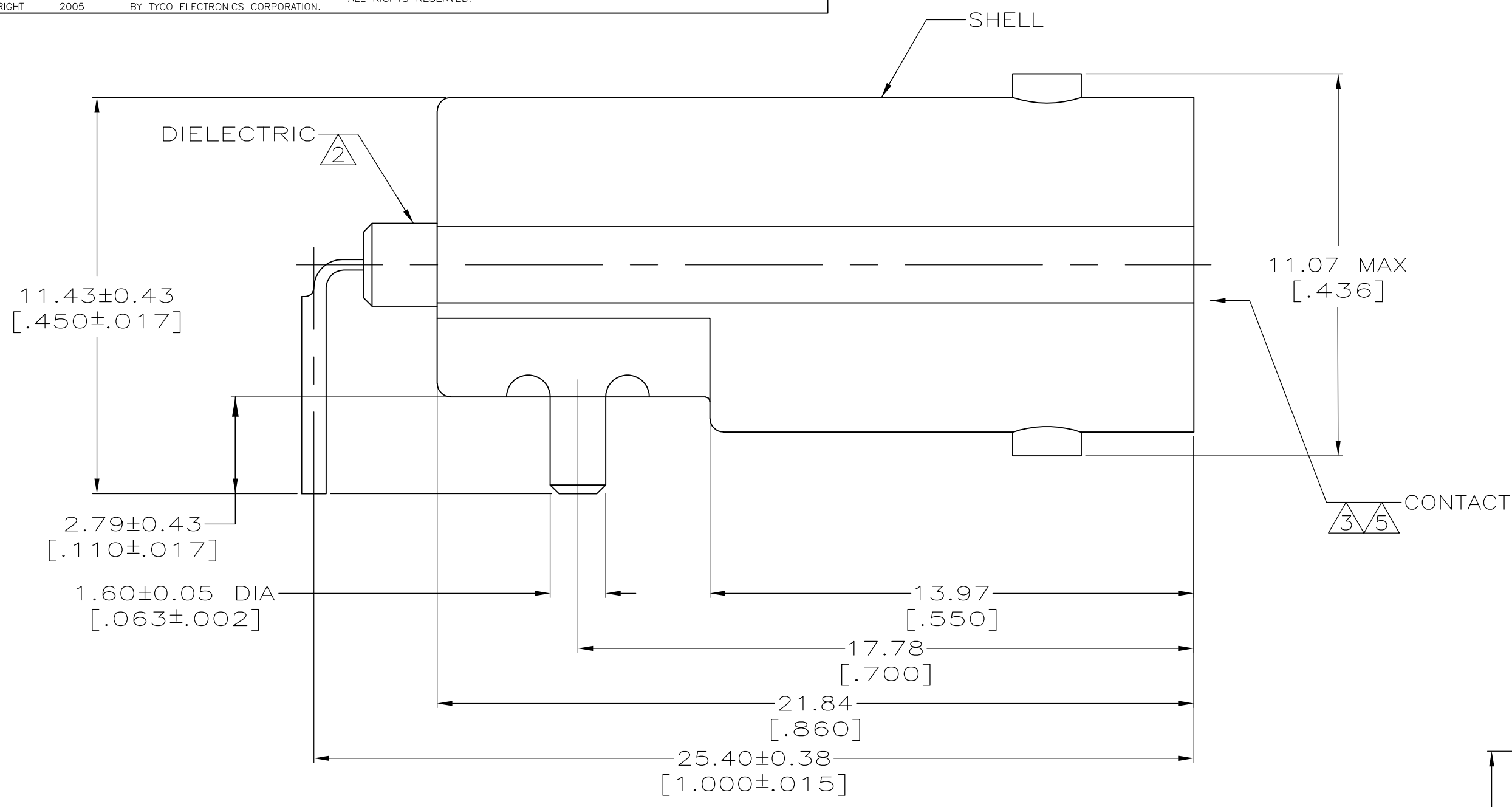
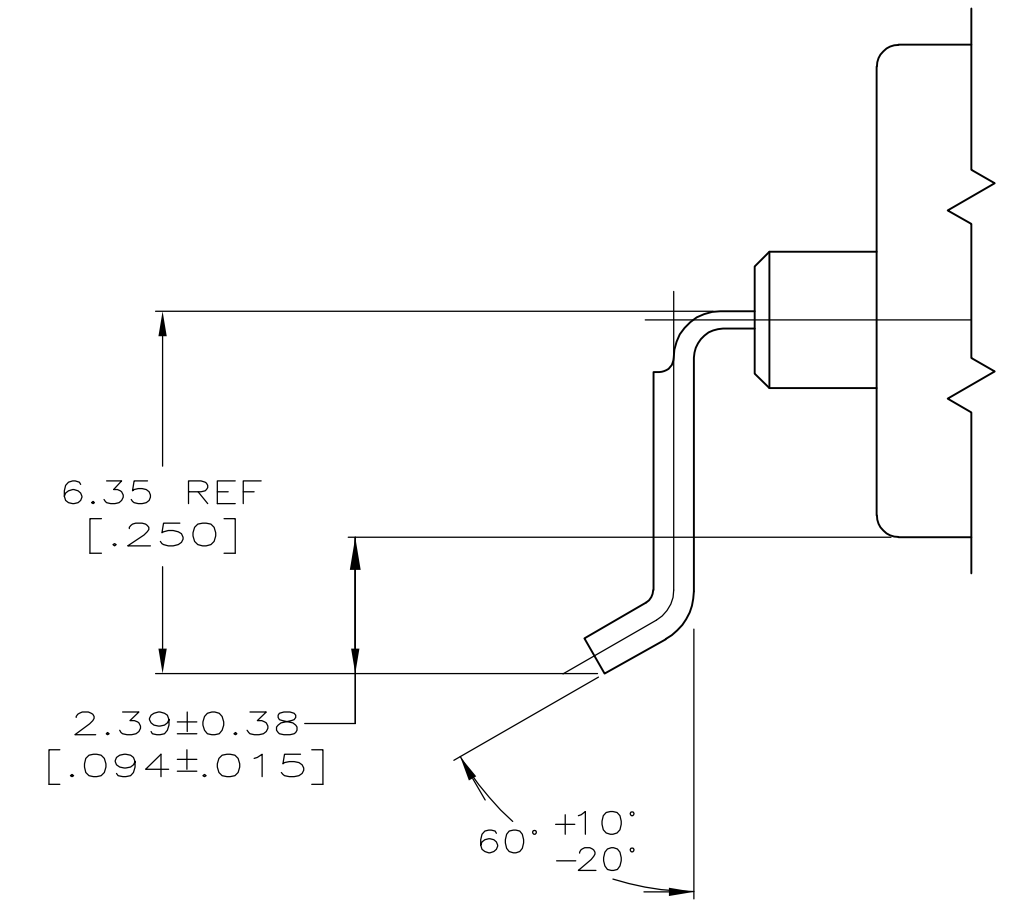


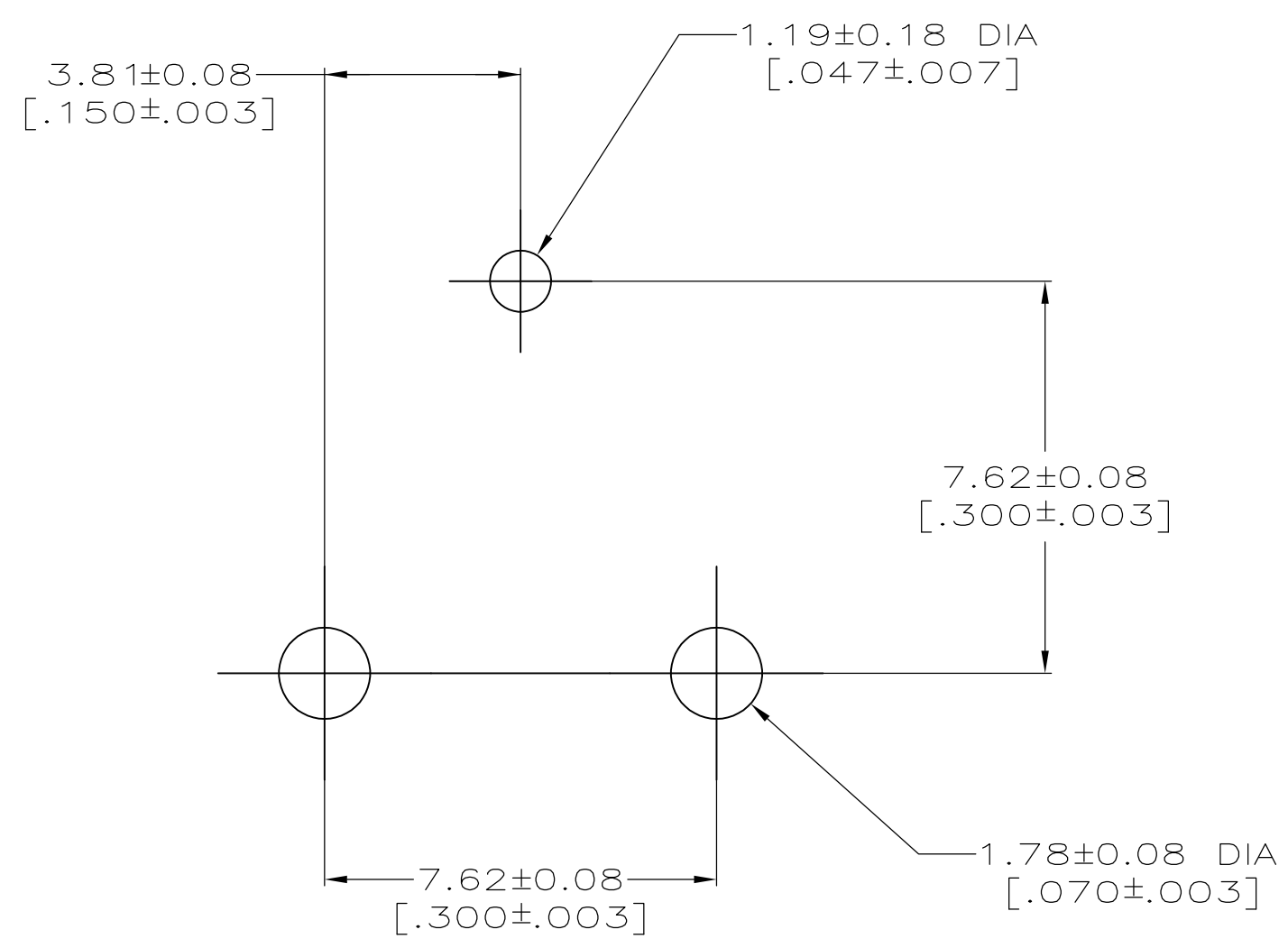
LOC	DIST	REVISIONS			
P	LTR	DESCRIPTION	DATE	OWN	APVD
AJ	16				
	J	REVISED PER EC 0514-0457-04	04NOV05	TS	JL
	J1	REVISED PER ECO-09-021826	12SEP09	KK	AEG



- ① ZINC PER QQ-Z-363.
- ② POLYMETHYLPENTENE, GENERAL PURPOSE.
- ③ PHOSPHOR BRONZE PER QQ-B-750.
- ④ NICKEL PLATE PER QQ-N-290, 3.81 μm [.000150] MINIMUM THICK.
- ⑤ GOLD PLATE PER MIL-G-45204, 0.76 μm [.000030] MINIMUM THICK.
- ⑥ ZAMAK 8
- ⑦ TIN PLATE PER ASTM-B-545, 3.81 μm [.000150] MINIMUM THICK.
- ⑧ OBSOLETE PARTS: OBSOLETE CIS STREAMLINING PER D.RENAUD/D.SINISI



FOR 414373-3 AND 414373-4 ONLY



SUGGESTED PCB CONFIGURATION

OBSOLETE	⑦	①	414373-4
OBSOLETE	④	①	414373-3
⑧ OBSOLETE	④	⑥	414373-2
	④	①	414373-1
	SHELL FINISH	SHELL MATERIAL	PART NO

DIMENSIONS:		TOLERANCES UNLESS OTHERWISE SPECIFIED:		MATERIAL		FINISH		WEIGHT		CUSTOMER DRAWING	
mm	[INCHES]	0 PLC	± -	1 PLC	± -	2 PLC	± 0.13 [.005]	3 PLC	± -	4 PLC	± -
SEE NOTES 1-3, 6		SEE NOTES 4-5		SEE NOTES 1-3, 6		SEE NOTES 4-5		-		-	
-		± 5°		-		-		-		-	

THIS DRAWING IS A CONTROLLED DOCUMENT.	DWN J. LIPPERT 05AUG92	Tyco Electronics Corporation Harrisburg, PA 17105-3608	
CHK A. GABANY 10AUG92	APVD A. GABANY 10AUG92	NAME JACK, RIGHT ANGLE, PCB, 50 OHM, BNC	
PRODUCT SPEC 108-12078		SIZE A2	CAGE CODE 00779
APPLICATION SPEC		DRAWING NO 414373	RESTRICTED TO
SCALE 8:1		SHEET 1 OF 1	REV J1