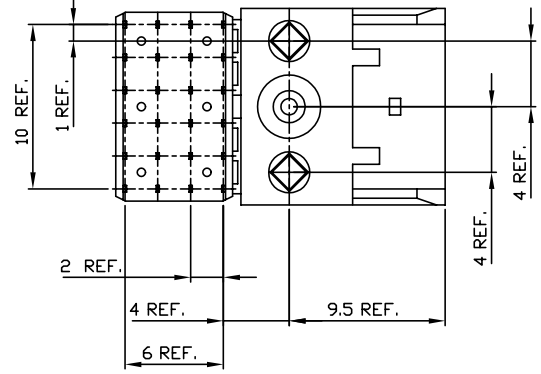
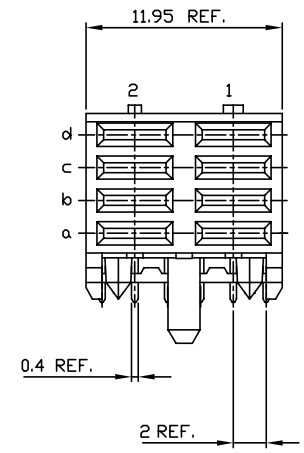
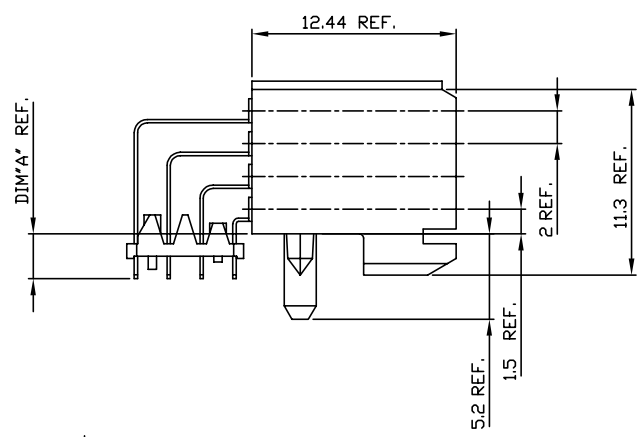


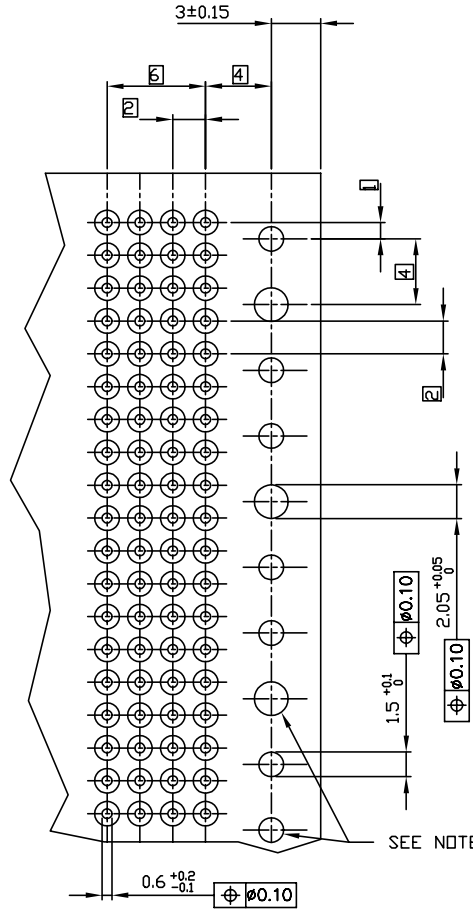
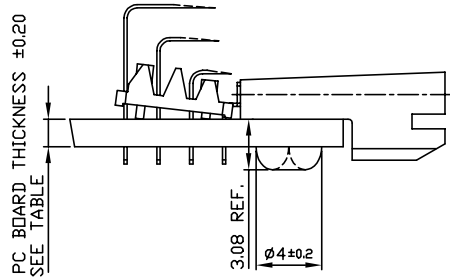
PLATING CONTACT AREA:	
DASH NR:	PERFORMANCE LEVEL
-1YY	TELCORDIA CO
-2YY	CUSTOMER SPECIAL
-3YY	CUSTOMER SPECIAL
-4YY	CUSTOMER SPECIAL
-5YY	TELCORDIA CO
-6YYLF	CUSTOMER SPECIAL
-7YYLF	TELCORDIA CO
-8YYLF	TELCORDIA CO
-9YYLF	TELCORDIA CO
-1YYLF	TELCORDIA CO
-3YYLF	CUSTOMER SPECIAL

OBSOLETE  
OBSOLETE  
OBSOLETE  
OBSOLETE  
OBSOLETE  
OBSOLETE  
OBSOLETE

PC BOARD VERSIONS		
PRODUCTNR:	PCB THICKNESS	DIM'A'
70231-X01LF	1.6	2.90
70231-X11LF	2.4	3.53



PRODUCT AFTER HOT RIVETTING.



RECOMMENDED HOLE PATTERN, COMPONENT SIDE.

- NOTES:
- 1 BODY MAT'L: LIQUID CRYSTAL POLYMER 30% GLASS FLAME RETARDANT ACC. UL 94-V0
  - 2 TERMINAL MATERIAL: PHOSPHOR BRONZE.
  - 3 INDICATED HOLES ARE UNPLATED.
  - 4 PRODUCT MARKING: PARTNUMBER & BATCH ID.
  - 5 THIS PRODUCT MEETS EUROPEAN UNION DIRECTIVES AND OTHER COUNTRY REGULATIONS AS DESCRIBED IN GS-22-008
  - 6 THE HOUSING WILL WITHSTAND EXPOSURE TO 260DEGREE PEAK TEMPERATURE FOR 10 SECONDS IN A WAVE SOLDER APPLICATION.
  - 7 THE PRODUCT SPECIFICATION GS-12-453.

mat'l. code				tolerances unless otherwise specified		CUSTOMER COPY	FCI		www.fciconnect.com
ltr	ecn no	dr	date	linear	0.X	±0.30	projection	title	RA FEMALE POWER STB 12MM VERSION
G	V70769	DOB	1997-06-02		0.XX	±0.15			
H	V00578	LLA	2000-03-16	angles	0.XXX	±0.05	MM	product family	METRAL
J	V00847	LLA	2000-05-30		0'	±2'			
K	DG05-0107	CLU	2005-05-10	dr	R.TRLPPE	1990-09-18	scale	size	dwg no
L	DG07-0458	CEN	2007-11-15	enr	BDUWKNEGT	1990-09-18			
M	N11-0131	AZH	2011-05-09	chr	VAN ZANTEN	1990-09-18	5:1	A2	70231
N	ELX-N-004584	AZH	2011-07-20	appd	VAN ZANTEN	1990-09-18			
sheet index	revision sheet	N	1-2						code
									sheet 1 of 2



Copyright FCI.



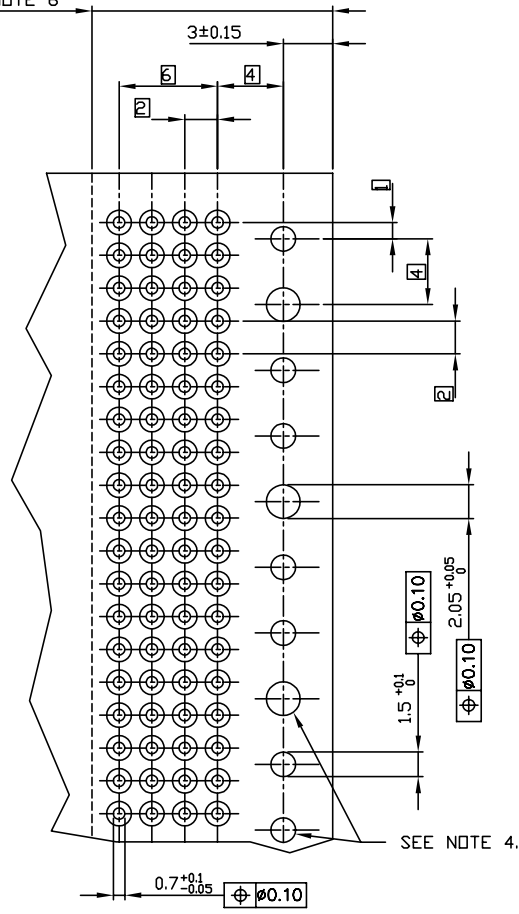
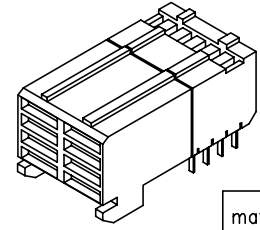
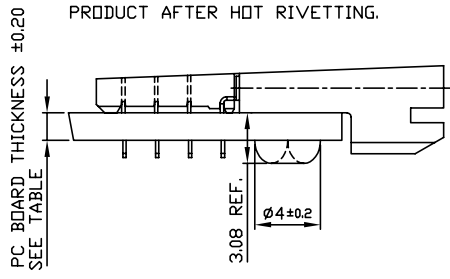
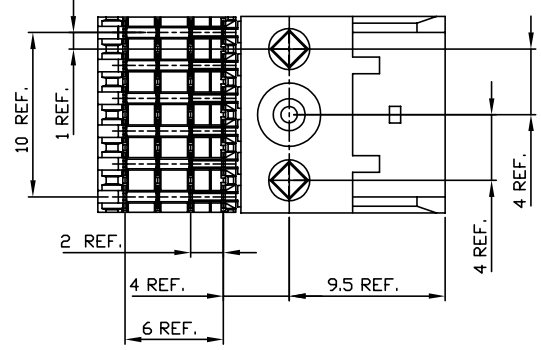
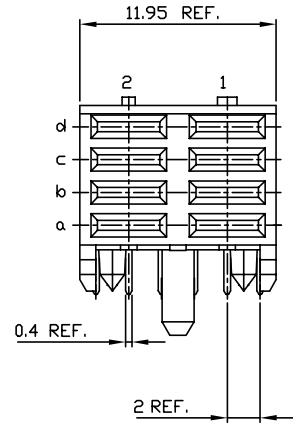
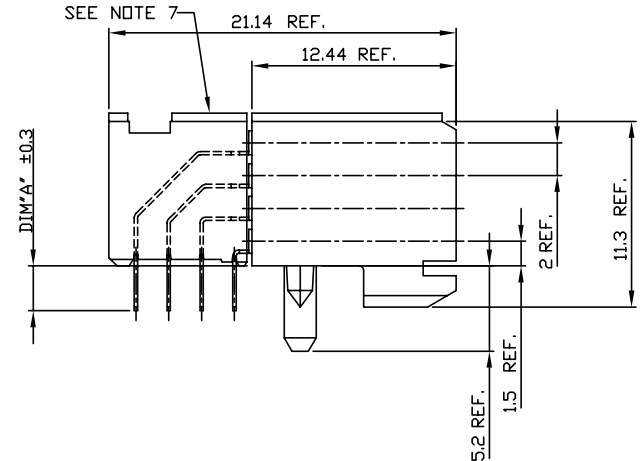
Copyright FCI.

PLATING CONTACT AREA:	
DASH NR:	PERFORMANCE LEVEL
-1YY	TELCORDIA CO
-2YY	CUSTOMER SPECIAL
-3YY	CUSTOMER SPECIAL
-4YY	TELCORDIA CO
-5YYL	CUSTOMER SPECIAL
-6YYL	TELCORDIA CO
-7YYL	TELCORDIA CO
-8YYL	TELCORDIA CO
-9YYL	CUSTOMER SPECIAL

OBSOLETE  
OBSOLETE  
OBSOLETE  
OBSOLETE  
OBSOLETE  
OBSOLETE  
OBSOLETE  
OBSOLETE  
OBSOLETE

PC BOARD VERSIONS		
PRODUCTNR:	PCB THICKNESS	DIM'A'
70231-X02LF	1.6	2.90
70231-X12LF	2.4	3.53

14.64 REF. SEE NOTE 6



RECOMMENDED HOLE PATTERN, COMPONENT SIDE.

- NOTES:
- BODY MAT'L: LIQUID CRYSTAL POLYMER 30% GLASS FLAME RETARDANT ACC. UL 94-V0
  - TERMINAL MATERIAL: PHOSPHOR BRONZE.
  - INDICATED HOLES ARE UNPLATED.
  - PRODUCT MARKING: PARTNUMBER & BATCH ID.
  - SET BACK FOR PRESS BLOCK.
  - TOP SURFACE OF PRESS BLOCK MAY EXTEND UP TO 0.4MM HIGHER THAN HOUSING. THIS MAY AFFECT THE TAIL LENGTH BEFORE APPLICATION TO A BOARD
  - THIS PRODUCT MEETS EUROPEAN UNION DIRECTIVES AND OTHER COUNTRY REGULATIONS AS DESCRIBED IN GS-22-008
  - THE HOUSING WILL WITHSTAND EXPOSURE TO 260DEGREE PEAK TEMPERATURE FOR 10 SECONDS IN A WAVE SOLDER APPLICATION.
  - THE PRODUCT SPECIFICATION GS-12-453.

mat'l. code				tolerances unless otherwise specified			CUSTOMER COPY		FCI		www.fciconnect.com	
ltr	ecn no	dr	date	linear	0.X ±0.30		projection	title		RA FEMALE POWER STB 12MM VERSION		
N	ELX-N-004584	AZH	2011-07-20		0.XX ±0.15							
					0.XXX ±0.05							
				angles	0° ±2'			product family		METRAL		
				dr	R.TRLPPE	1990-09-18		size		dwg no		
				enrg	BDUWKNEGT	1990-09-18		scale		A2		
				chr	VAN ZANTEN	1990-09-18		5:1		70231		
				appd	VAN ZANTEN	1990-09-18					sheet 2 of 2	
sheet index	revision sheet	N	1-2									

REV F - 2008-04-17