

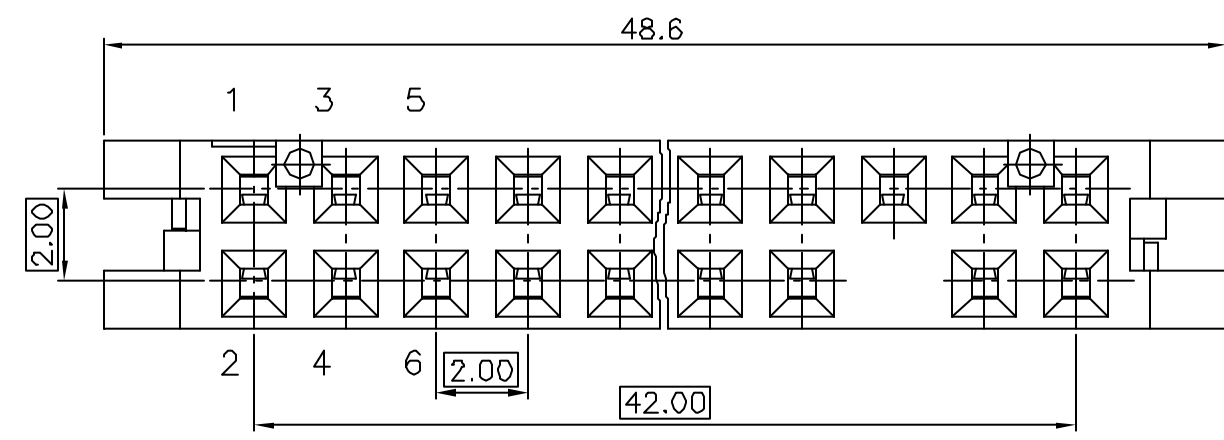
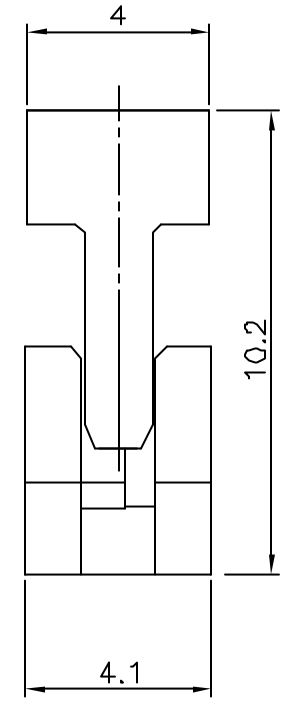
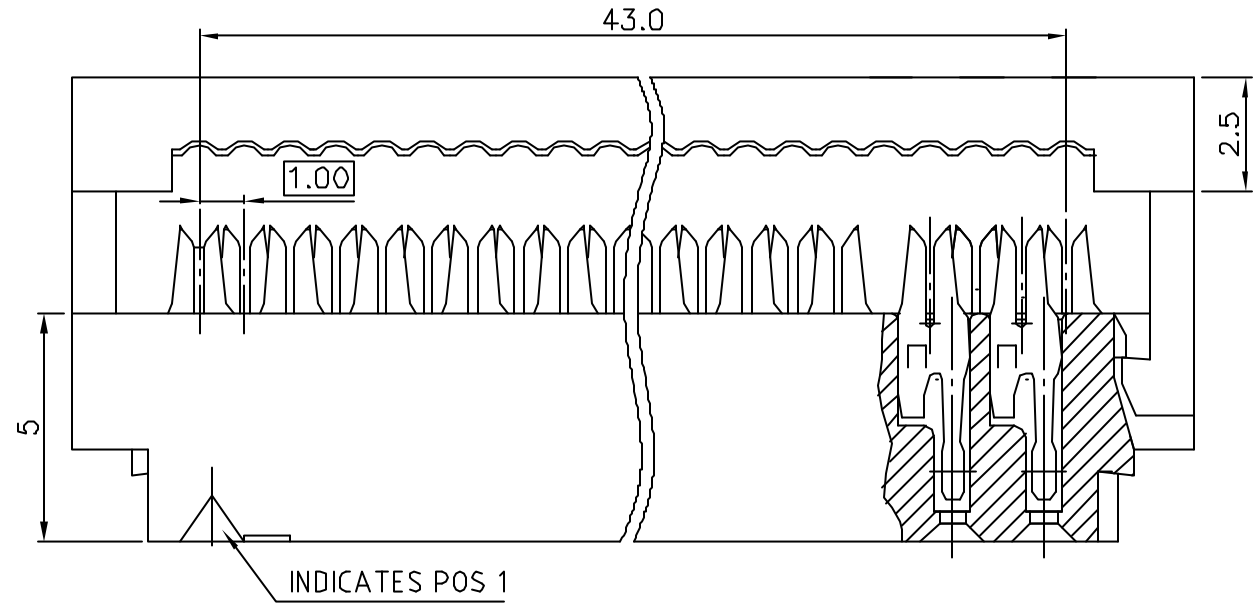
PRODUCT NUMBER
89950-0XXLF

LEAD FREE, RoHS COMPLIANT
SEE NOTE 4

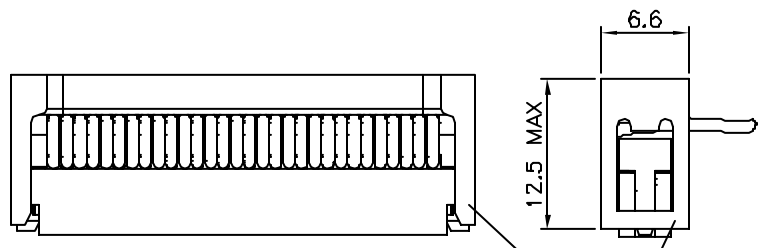
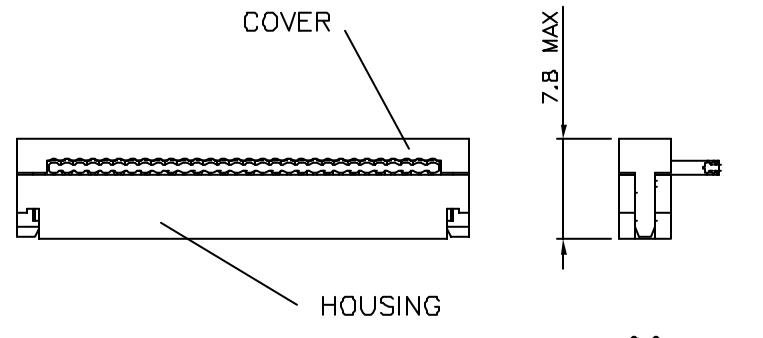
STYLE	NBR OF POS	OMIT TERMINAL
06	2x22	20

NOTES :

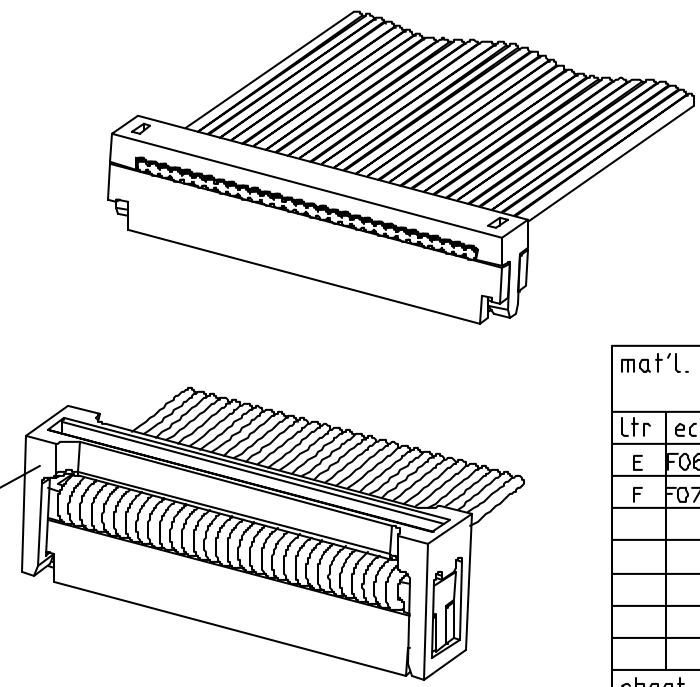
- MATERIAL :
TERMINAL PHOSPHORE BRONZE
BASE AND COVER : PBT GLASSFILLED UL 94V-0 BLACK
- PLATING :
GOLD 0.76µm Au MIN ON CONTACT AREA
NICKEL 1.27µm MIN UNDERPLATING ALL OVER
- RECOMMENDED CABLE SIZE : AWG28, STRANDED
- THIS PRODUCT MEETS EUROPEAN UNION DIRECTIVES AND OTHER COUNTRY REGULATIONS AS PER GS-22-008.
PACKAGING SPECIFICATION AS PER GS-14-920.
- STRAIN RELIEF (OPTIONAL) P/N 10073978-044LF



VIEW WITHOUT COVER



STRAIN RELIEF
NOTE 5



mat'l. code SEE NOTE		surface ISO 1302 ✓	tolerance ISO 406 ISO 1101	projection mm	product family MINITEK		
ltr	ecn na dr date	tolerances unless otherwise specified		scale 1:1	title POL 2.00mm IDC 0.76µm Au		
E	F08-021 LMU 06.07.03	angles	.0±.3				
F	F07-021 LMU 07.06.12	Linear	.00±.13	FCJ	dwg no 89950		
		0'±x'	.000±.05				
		dr	LMULIN 07.06.12			sheet 1 of 1	size A3
		engr	J.COMPAGNON 07.06.12			type Product Customer Drawing	
		chr					
		appd	JM.C 07.06.12				
sheet index	revision sheet						