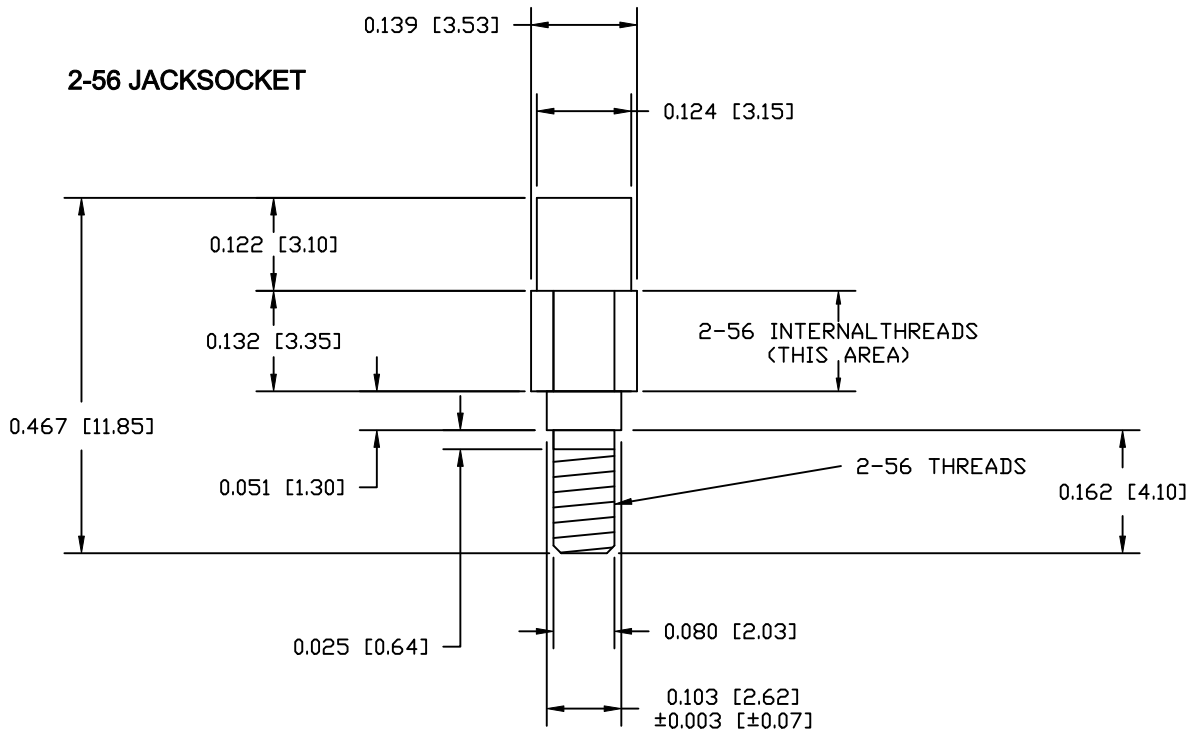
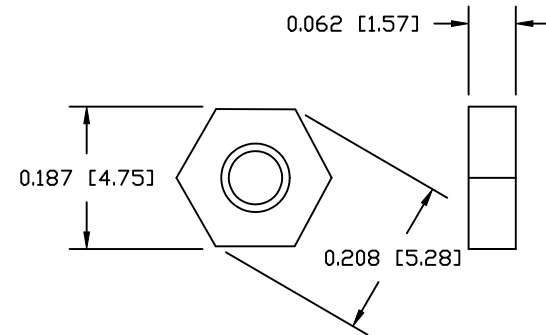


DESCRIPTION: MICRO-D HARWARE KIT - 2-56 THREAD

2-56 JACKSOCKET

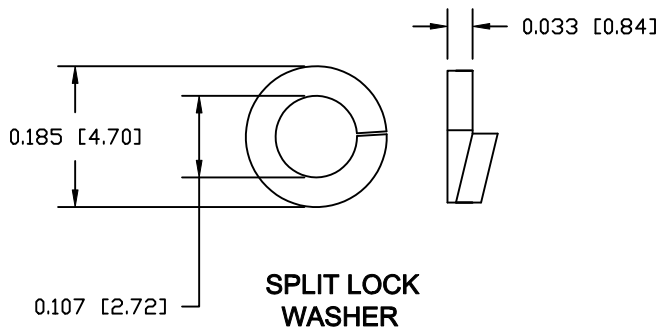


MATERIAL:
 JACKSOCKETS: BRASS (3604)
 NICKEL PLATED
 SPLIT LOCK WASHER: STEEL
 ZINC PLATED
 2-56 NUT: STEEL
 ZINC PLATED

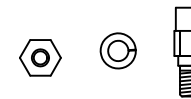


2-56 NUT

KIT INCLUDES:
 (2) 2-56 JACKSOCKETS
 (2) SPLIT LOCK WASHERS
 (2) 2-56 NUTS



ACTUAL SIZE



DO NOT SCALE FROM DRAWING



THESE DRAWINGS AND SPECIFICATIONS ARE THE PROPERTY OF NorComp AND SHALL NOT BE REPRODUCED, COPIED OR USED AS THE BASIS FOR THE MANUFACTURE OF SALE OF APPARATUS WITHOUT WRITTEN PERMISSION.

DRAWN: M. SIGMON		DATE: 08-09-12	
CHECKED:		DATE:	
SCALE: 4:1	SHEET 1	OF 1	REV 1
DWG NO. 160-380-001R031			

RoHS COMPLIANT

NorComp