

## 59090 Heavy Duty Vane Sensor



### Features:

- Sensor and magnet in single housing
- Sensor operates when ferrous vane passes through slot
- Normally closed standard
- Choice of cable length and connector

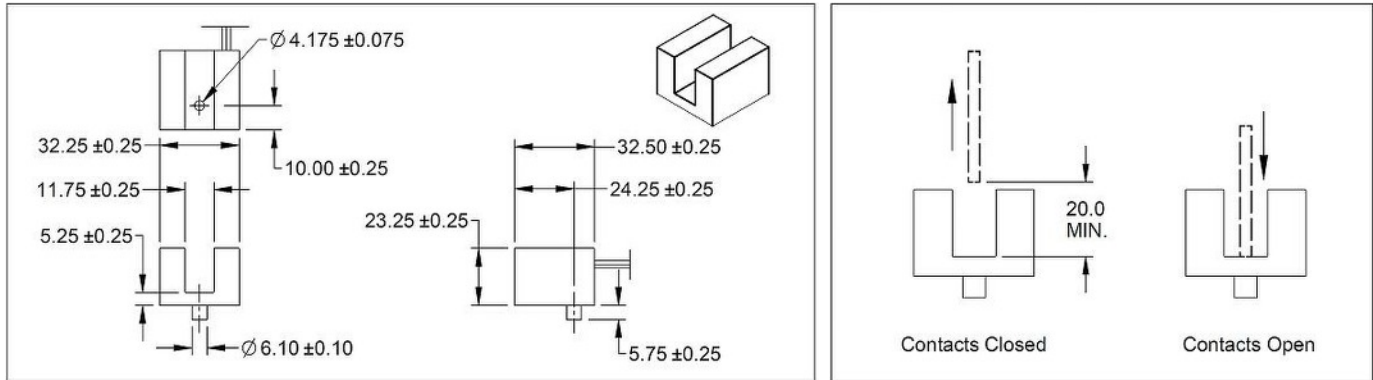
### Benefits:

- Quick, reliable single screw mounting with location feature
- No standby power requirement
- Hermetically sealed, magnetically operated contacts continue to operate long after optical and other technologies fail due to contamination

### Applications:

- Position and limit sensing
- Security system switch
- Linear actuator
- Industrial process control
- Shaft rotation sensing

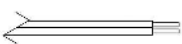

### DIMENSIONS mm

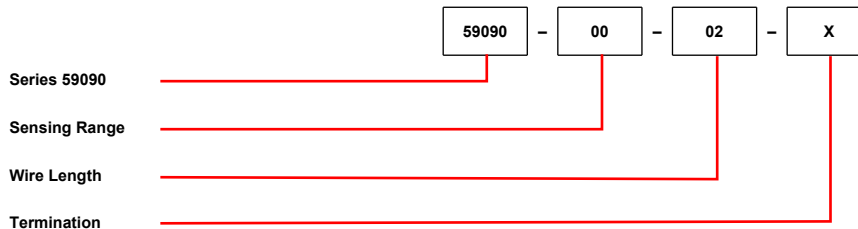


### SPECIFICATIONS

Contact Type		Normally Closed	
Voltage	Power	Watt-max.	10
	Switching	Vdc - max.	200
	Breakdown	Vdc - min.	250
Current	Switching	A - max.	0.5
	Carry	A - max.	1.2
Resistance	Contact, Initial	Ω - max.	0.2
	Insulation	Ω - min.	10 <sup>10</sup>
Capacitance	Contact	pF - typ.	0.3
Temperature	Operating	°C	-40 to +85
	Storage	°C	-65 to +85
Time	Operate	ms - max.	1
	Release	ms - max.	1
Wire	Size	AWG	20
	Insulation	SAE	J-1128, Type TXL
	Length	mm	300

### ORDERING INFORMATION

Termination Options			
Select Option	Description	Select Option	Description
A	Stripped Leads 	C	Molex Connector MX 150 33481-0301 



**Hamlin USA** Tel: +1 920 648 3000 • Fax: 1 920 648 3001 • Email: sales.us@hamlin.com  
**Hamlin UK** Tel: +44 (0) 1603 257700 • Fax: +44 (0) 1603 257702 • Email: sales.uk@hamlin.com  
**Hamlin GmbH** Tel: +49 (0) 6142 923920 • Fax: +49 (0) 6142 923921 • Email: sales.de@hamlin.com  
**Hamlin China** Tel: +86 (0) 512 69365 800 • Fax: +86 (0) 512 69365 811 • Email: sales.cn@hamlin.com

INFORMATION PROVIDED ON THIS DATA SHEET IS PROVIDED FOR INFORMATION PURPOSES ONLY AND SHOULD NOT BE RELIED UPON AS BEING ACCURATE FOR ANY PARTICULAR PURPOSE. Product performance may be affected by the application to which the product is applied. Upon request, HAMLIN will assist purchasers by providing information specific to any particular application. HAMLIN disclaims any and all liability whatsoever for any purchaser's reliance upon the information contained on this data sheet without further consultation with authorised representatives of HAMLIN.