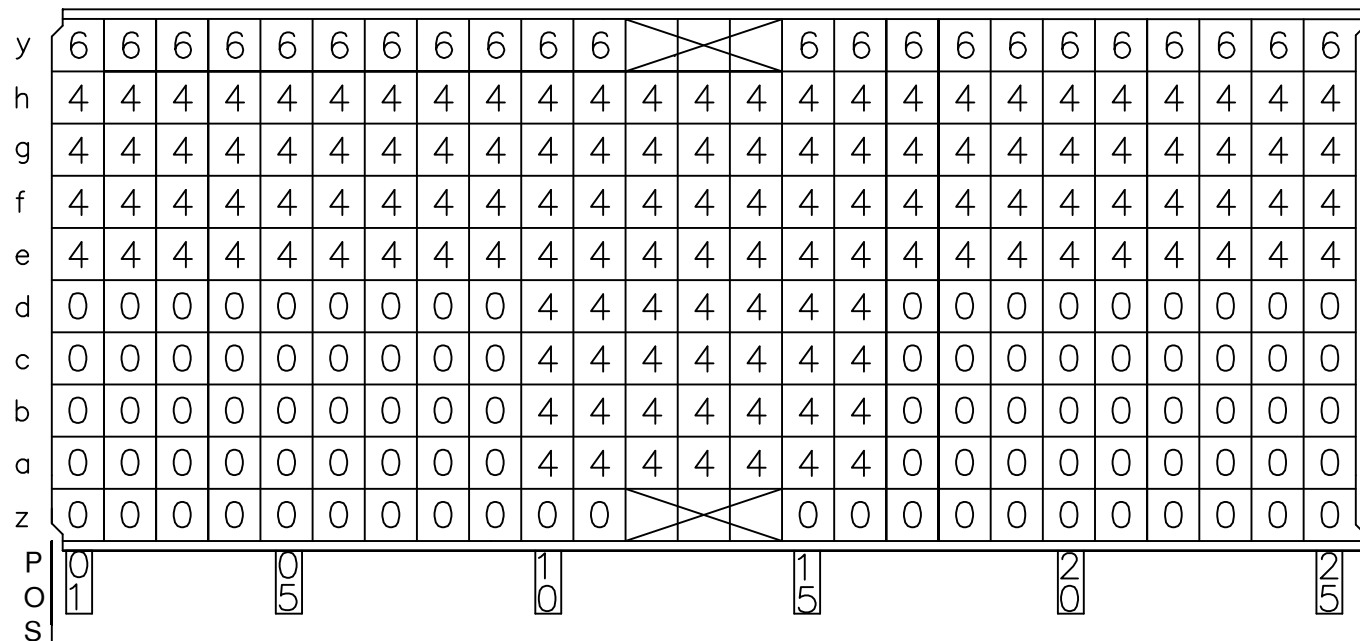
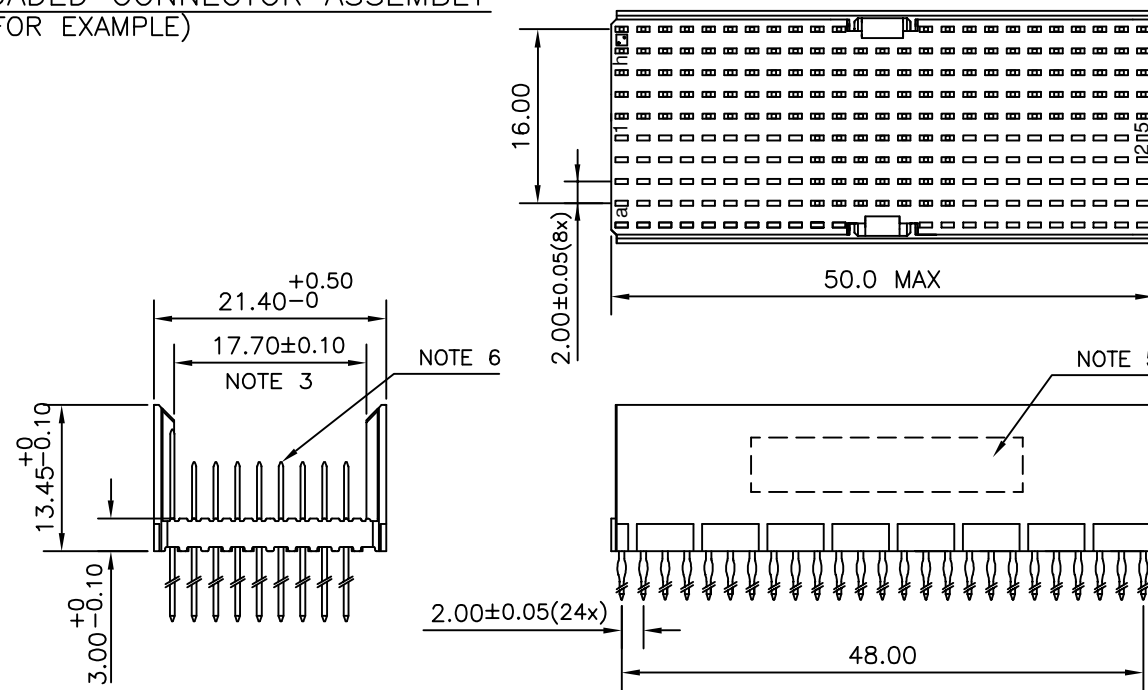


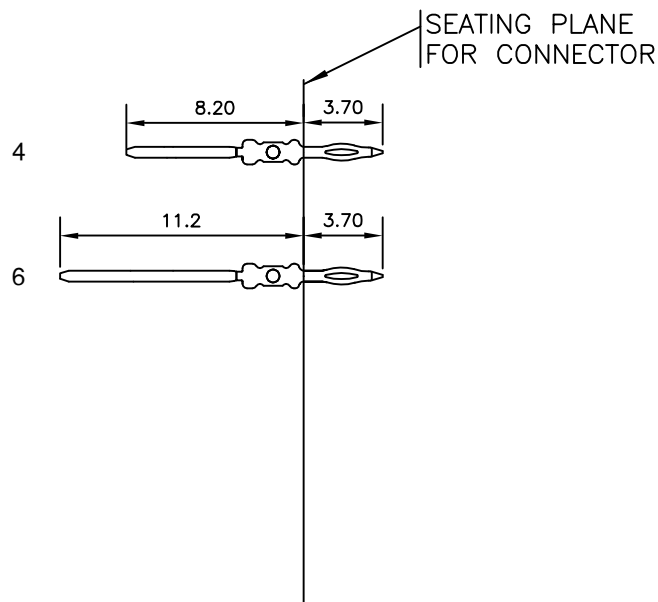
LOADING PATTERN MATING SIDE



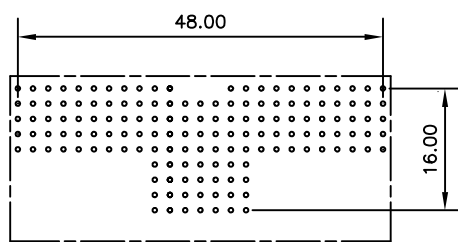
LOADED CONNECTOR ASSEMBLY
(FOR EXAMPLE)



CONTACT OVERVIEW



LAY-OUT P.C.B.-HOLE



LEAD FREE INDICATOR : LF = LEAD FREE
(DIGIT 15 & 16)

HM2P95PDH3W5

PLATING CODE (DIGIT 13 AND 14)

NOTES

- THIS PRODUCT IS CSA APPROVED.
- THIS PRODUCT IS UL RECOGNIZED.
- MEASURED AT THE BOTTOM.
- MATERIAL CONTACT: PHOSPHORBRONZE
HOUSING: CREAM WHITE GLASS FILLED POLYESTER UL-94V0
- CONNECTOR PRINTED WITH P/N AND DATE CODE.
- FOR ACTUAL CONTACT LOADINGS, SEE LOADING PATTERN MATING SIDE.
- SHAPE OF CONNECTOR HOUSING CAN ALTER DEPENDING ON PRODUCTION LOCATION
- THE PRODUCT (LF) MEETS EUROPEAN UNION DIRECTIVES AND OTHER COUNTRY REGULATIONS AS DESCRIBED IN GS-22-008
- FOR RECOMMENDED PTH DIMENSIONS REFER DRAWING : BS, A , 201572 , 001
CATALOG NO: HM2P95PDH3W5----

mat'l. code SEE NOTE 4		surface ISO 1302	tolerance ISO 406 ISO 1101	projection 	product family MILLIPACS
ltr	ecn no	dr	date	tolerances unless otherwise specified	title
A	105-0014	MINI	2005-01-24	angles linear .0±0.2	MPACS 8+2R STR HDR PF CONN TYPE DE
B	105-0199	MINI	2005-10-21	0°±1°	
C	106-0090	MINI	2006-07-01		
		dr	MINI K VANDANATH	2005-01-24	scale -
		engr	BIJU K PAUL	2005-01-24	sheet 1 of 1 BS, C , 203028, 203 size A3
		chr	BIJU K PAUL	2006-07-01	
		appd	BIJU K PAUL	2006-07-01	
sheet index	revision sheet	C	1		type Product Customer Drawing