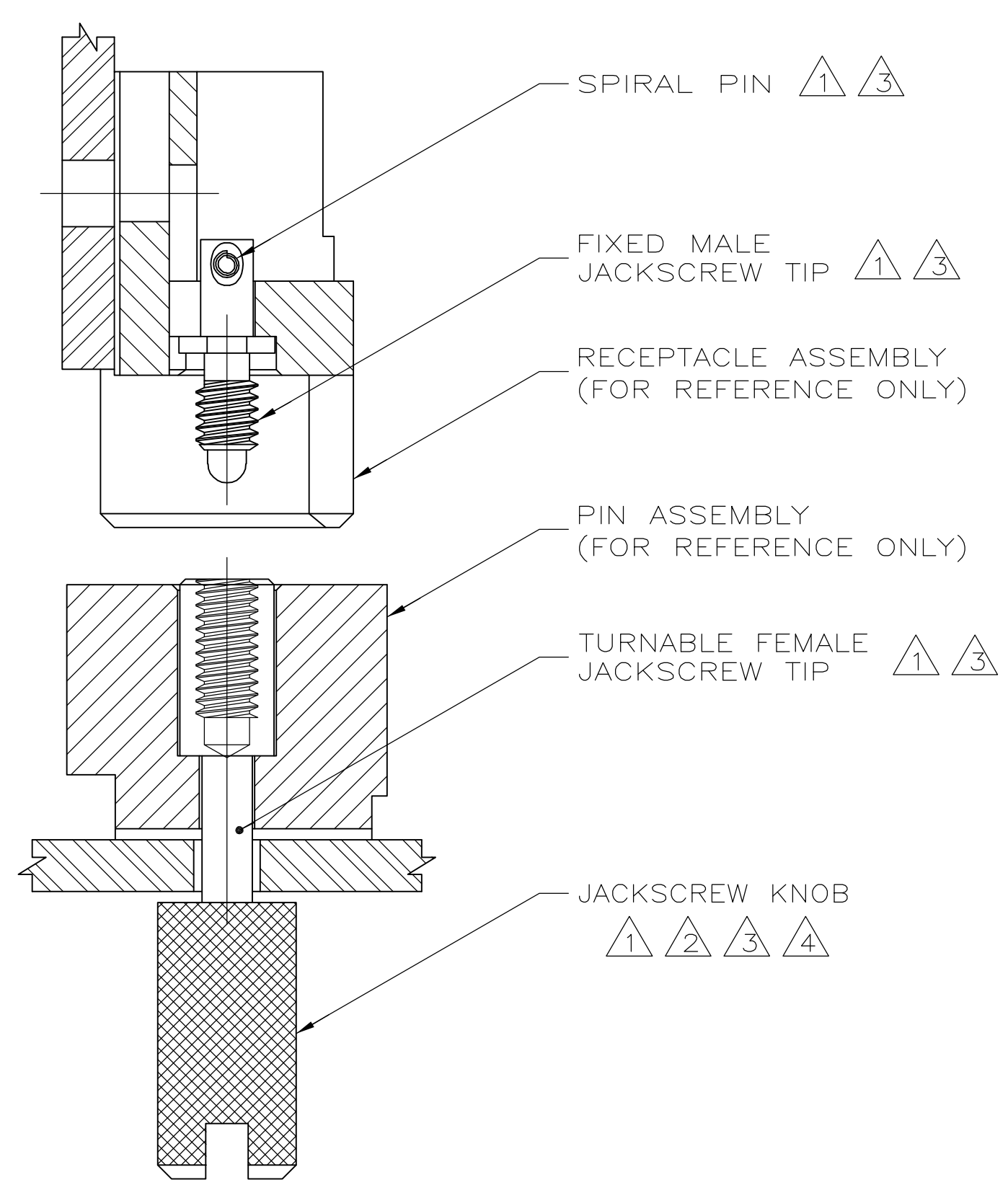
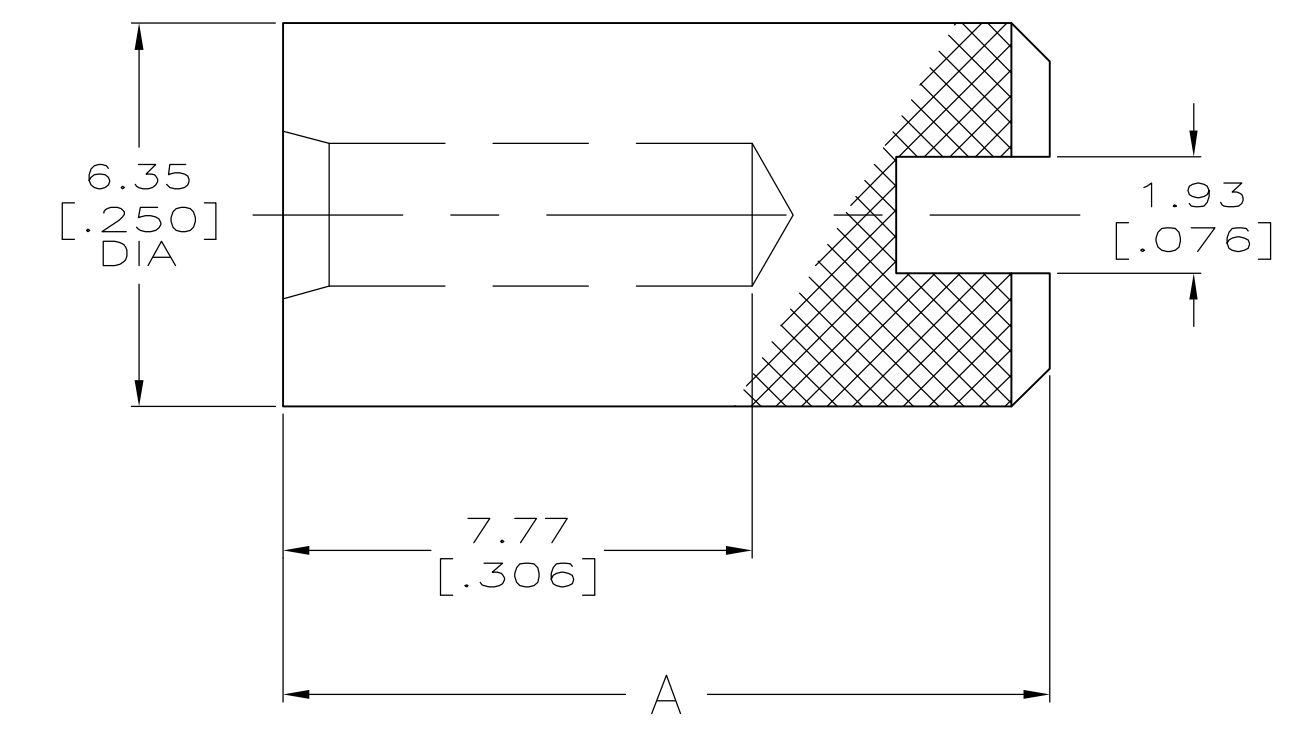
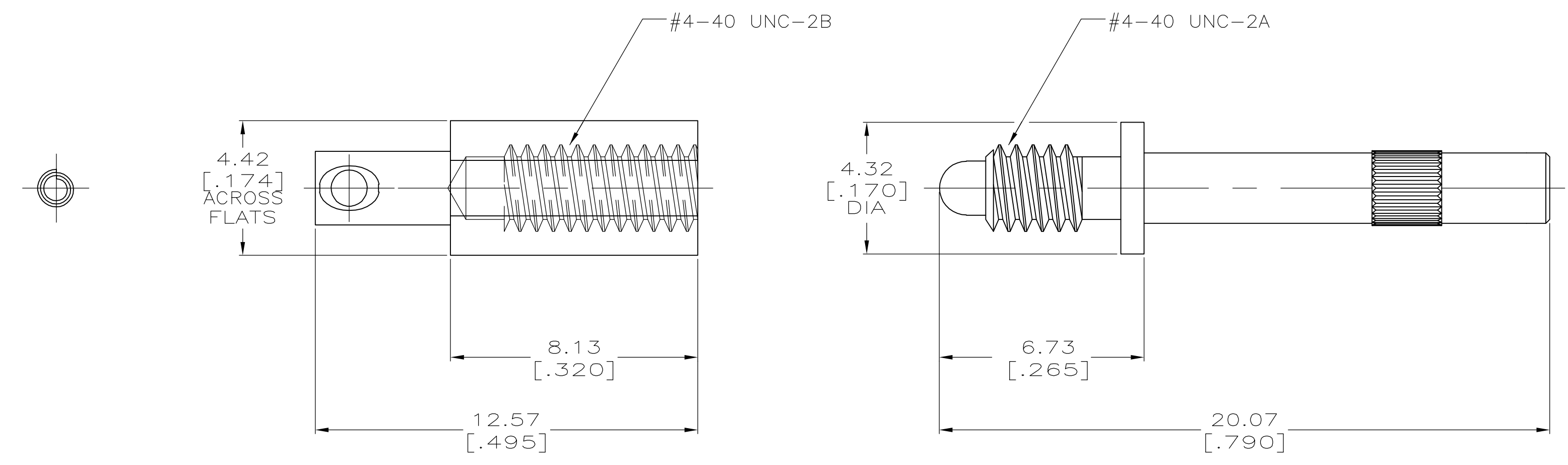


- ① MATERIAL: STAINLESS STEEL.
- ② MATERIAL: BRASS.
- ③ FINISH: PASSIVATE.
- ④ FINISH: 0.00038-0.00102 [.000150-.000400] NICKEL PLATE.
- ⑤ PART NUMBER IS OBSOLETE.



|   |                      |        |          |                 |             |
|---|----------------------|--------|----------|-----------------|-------------|
| ⑤ | ---                  | ---    | ---      | ---             | 532805-8    |
| ⑤ | ---                  | ---    | ---      | ---             | 532805-7    |
| ⑤ | ---                  | ---    | ---      | ---             | 532805-6    |
| ⑤ | ---                  | ---    | ---      | ---             | 532805-5    |
| ⑤ | YES                  | ③      | ①        | 3.18<br>[1.250] | 532805-4    |
| ⑤ | YES                  | ③      | ①        | 1.27<br>[.500]  | 532805-3    |
| ⑤ | NO                   | ③      | ①        | 1.27<br>[.500]  | 532805-2    |
| ⑤ | -                    | ③      | ①        | -               | 532805-1    |
|   | SLOT FOR SCREWDRIVER | FINISH | MATERIAL | A               | PART NUMBER |

|  |     |  |          |                      |   |   |     |   |   |   |     |   |   |   |     |   |      |   |     |   |   |        |  |   |   |        |  |   |   |                  |  |            |  |                    |  |
|--|-----|--|----------|----------------------|---|---|-----|---|---|---|-----|---|---|---|-----|---|------|---|-----|---|---|--------|--|---|---|--------|--|---|---|------------------|--|------------|--|--------------------|--|
| THIS DRAWING IS A CONTROLLED DOCUMENT.   |     | DWN<br>R.K. SEIFRIED<br>1-31-94        | 05/30/90 |                      |   | Tyco Electronics Corporation<br>Harrisburg, PA 17105-3608 |     |   |   |   |     |   |   |   |     |   |      |   |     |   |   |        |  |   |   |        |  |   |   |                  |  |            |  |                    |  |
| DIMENSIONS:<br>mm [INCHES]   |     | TOLERANCES UNLESS OTHERWISE SPECIFIED: |          | NAME<br>G. SKIPPER   |   | PRODUCT SPEC  |     |   |   |   |     |   |   |   |     |   |      |   |     |   |   |        |  |   |   |        |  |   |   |                  |  |            |  |                    |  |
| <table border="1"> <tr><td>0</td><td>PLC</td><td>±</td><td>-</td></tr> <tr><td>1</td><td>PLC</td><td>±</td><td>-</td></tr> <tr><td>2</td><td>PLC</td><td>±</td><td>-</td></tr> <tr><td>3</td><td>PLC</td><td>±</td><td>.005</td></tr> <tr><td>4</td><td>PLC</td><td>±</td><td>-</td></tr> <tr><td colspan="2">ANGLES</td><td>±</td><td>-</td></tr> <tr><td colspan="2">FINISH</td><td>±</td><td>-</td></tr> </table> |     | 0                                      | PLC      | ±                    | - | 1   | PLC | ± | - | 2 | PLC | ± | - | 3 | PLC | ± | .005 | 4 | PLC | ± | - | ANGLES |  | ± | - | FINISH |  | ± | - | APPLICATION SPEC |  | SIZE<br>A1 |  | CAGE CODE<br>00779 |  |
| 0  | PLC | ±                                      | -        |                      |   |   |     |   |   |   |     |   |   |   |     |   |      |   |     |   |   |        |  |   |   |        |  |   |   |                  |  |            |  |                    |  |
| 1  | PLC | ±                                      | -        |                      |   |   |     |   |   |   |     |   |   |   |     |   |      |   |     |   |   |        |  |   |   |        |  |   |   |                  |  |            |  |                    |  |
| 2  | PLC | ±                                      | -        |                      |   |   |     |   |   |   |     |   |   |   |     |   |      |   |     |   |   |        |  |   |   |        |  |   |   |                  |  |            |  |                    |  |
| 3  | PLC | ±                                      | .005     |                      |   |   |     |   |   |   |     |   |   |   |     |   |      |   |     |   |   |        |  |   |   |        |  |   |   |                  |  |            |  |                    |  |
| 4  | PLC | ±                                      | -        |                      |   |   |     |   |   |   |     |   |   |   |     |   |      |   |     |   |   |        |  |   |   |        |  |   |   |                  |  |            |  |                    |  |
| ANGLES   |     | ±                                      | -        |                      |   |   |     |   |   |   |     |   |   |   |     |   |      |   |     |   |   |        |  |   |   |        |  |   |   |                  |  |            |  |                    |  |
| FINISH   |     | ±                                      | -        |                      |   |   |     |   |   |   |     |   |   |   |     |   |      |   |     |   |   |        |  |   |   |        |  |   |   |                  |  |            |  |                    |  |
| MATERIAL<br>① ②  |     | FINISH<br>③ ④                          |          | DRAWING NO<br>532805 |   | RESTRICTED TO   |     |   |   |   |     |   |   |   |     |   |      |   |     |   |   |        |  |   |   |        |  |   |   |                  |  |            |  |                    |  |
| CUSTOMER DRAWING   |     | SCALE<br>8:1                           |          | SHEET<br>1 OF 1      |   | REV<br>J  |     |   |   |   |     |   |   |   |     |   |      |   |     |   |   |        |  |   |   |        |  |   |   |                  |  |            |  |                    |  |