

NOTES:

1. DO NOT SCALE THIS DRAWING.
2. UNLESS OTHERWISE SPECIFIED:
  - A. HOLES, SLOTS AND DIAMETERS TO BE PARALLEL AND CONCENTRIC WITHIN .003 T.I.R.
  - B. REMOVE ALL BURRS, BREAK ALL SHARP EDGES .005 MAX.
  - C. SURFACE FINISH TO BE 63 MICROINCHES MAX.

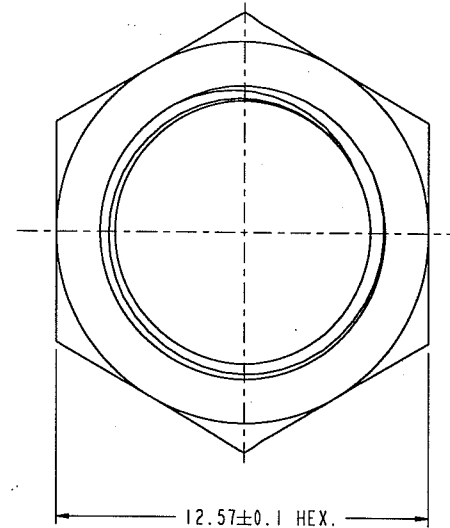
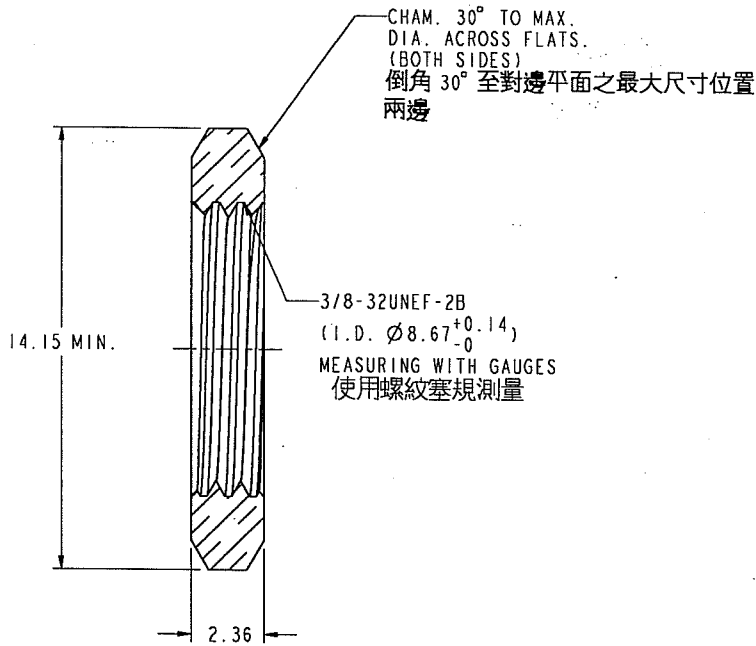
備注:

1. 不要直接量測圖面。
2. 除非特別標示, 則:
  - A. 孔, 槽和外徑的同心度之總偏轉讀數最大0.08
  - B. 去除所有銳角CO.13 以下。
  - C. 表面粗糙度 Ra:3.2

THIRD ANGLE PROJ.

REVISIONS

REV	DESCRIPTION	DATE	ECO	APPR
A	RELEASE TO MFG.	16-Apr-07		JC



SURFACE AREA = 329.394 SQ. MM.  
VOLUME = 156.402 CU. MM.

UNLESS OTHERWISE SPECIFIED, DIMENSIONS ARE IN METRIC AND TOLERANCES ARE:  
0.5 - 6mm ±0.1mm    6 - 30mm ±0.2mm    30 - 120mm ±0.3mm    ANGLES ±1°

NOTICE - These drawings, specifications, or other data (1) are, and remain the property of Amphenol corp. (2) must be returned upon request; and (3) are confidential and not to be disclosed to any person other than those to whom they are given by Amphenol Corp., the furnishing of these drawings, specifications, or other data by Amphenol Corp., or to any other person to anyone for any purpose is not to be regarded by implication or otherwise in any manner licensing, granting rights to permitting such holder or any other person to manufacture, use or sell any product, process or design, patented or otherwise, that may in any way be related to or disclosed by said drawings, specifications, or other data.

MATERIAL  
BRASS  
PER QQ-B-626, ALLOY 360, 1/2H

DRAWN *Jepz*    DATE 16-Apr-07

ENGINEER *Goffroy*    DATE 16-Apr-07

APPROVED *Lee*    DATE 20-Apr-07

CAD FILE  
1:\Hard\31-10495

TITLE  
HEX HUT

SCALE: 3.0:1.0    SHEET 1 OF 1  
DWG SIZE B    CODE ID 74868    REV A

Amphenol RF  
Danbury CT USA, Tainan, Taiwan, Shenzhen, China  
www.amphenolrf.com

DRAWING NO. 31-10495

ITEM NO. 31-10495

PART NO. 31-10495

FINISH PER KAI JACK SPEC. EP-SS-9700