

THIS DRAWING IS UNPUBLISHED.

RELEASED FOR PUBLICATION

ALL RIGHTS RESERVED.

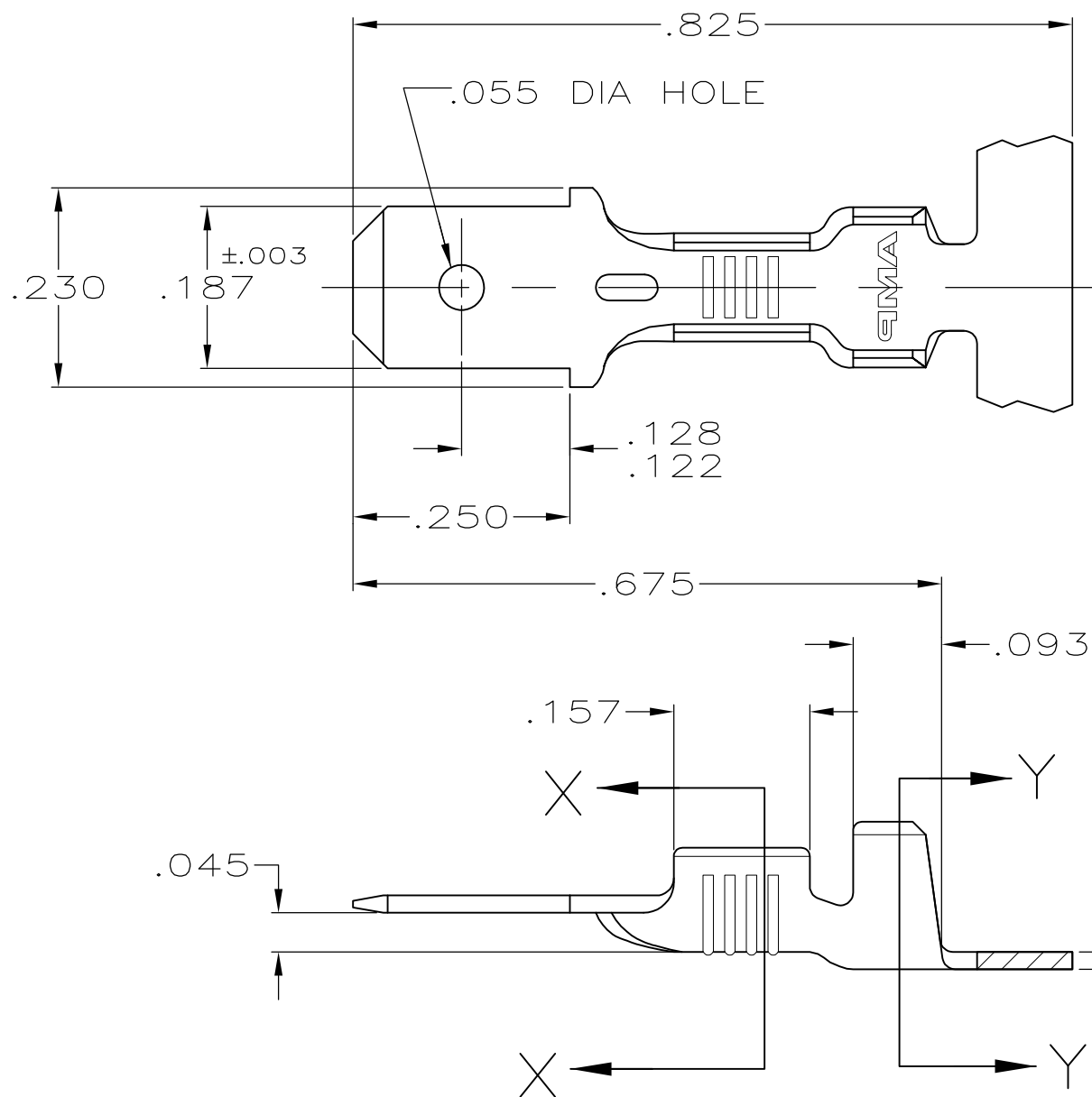
© COPYRIGHT - By -

LOC
AF

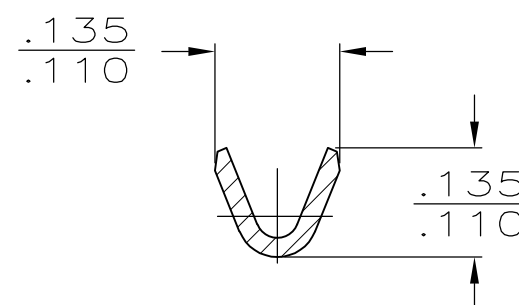
DIST
50

REVISIONS

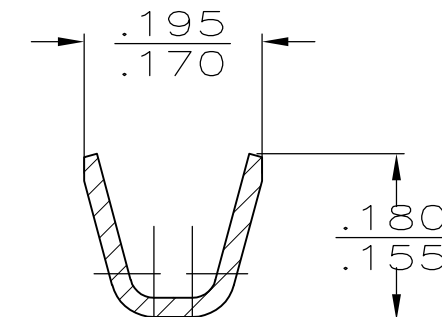
P	LTR	DESCRIPTION	DATE	DWN	APVD
	L1	REVISED PER ECO-11-004587	11MAR11	RK	HMR



1. CONTINUOUS STRIP ON REELS.
2. REVERSE REELING.
3. FEED TO BE .440±.003.
4. PRELIMINARY - NOT FOR PRODUCTION



SECTION X-X



SECTION Y-Y

FINISH / MATERIAL	INSULATION RANGE	WIRE SIZE	PART NO
.000150 MIN SILVER / BRASS	.080-.120 DIA	22-18 AWG	4 42490-6 2
.000150 MIN NICKEL / STEEL			4 42490-5
-			2 42490-4
TIN / BRASS			2 42490-3
OBSOLETE TIN / BRASS			42490-2
OBSOLETE			42490-1

THIS DRAWING IS A CONTROLLED DOCUMENT.		DWN JR RUTH 1/31/91	STE TE Connectivity			
DIMENSIONS: INCHES		CHK MS FEHER 1/31/91				NAME
TOLERANCES UNLESS OTHERWISE SPECIFIED:		APVD C MEYERS 1/31/91	PRODUCT SPEC			
0 PLC ± -		APPLICATION SPEC				
1 PLC ± -		-				
2 PLC ± -		-				
3 PLC ± .015		-				
4 PLC ± -		-				
ANGLES ± -		-				
MATERIAL SEE TABLE	FINISH SEE TABLE	WEIGHT -	SIZE A3	CAGE CODE 00779	DRAWING NO C-42490	RESTRICTED TO -
CUSTOMER DRAWING			SCALE 5:1	SHEET 1 OF 1	REV L1	