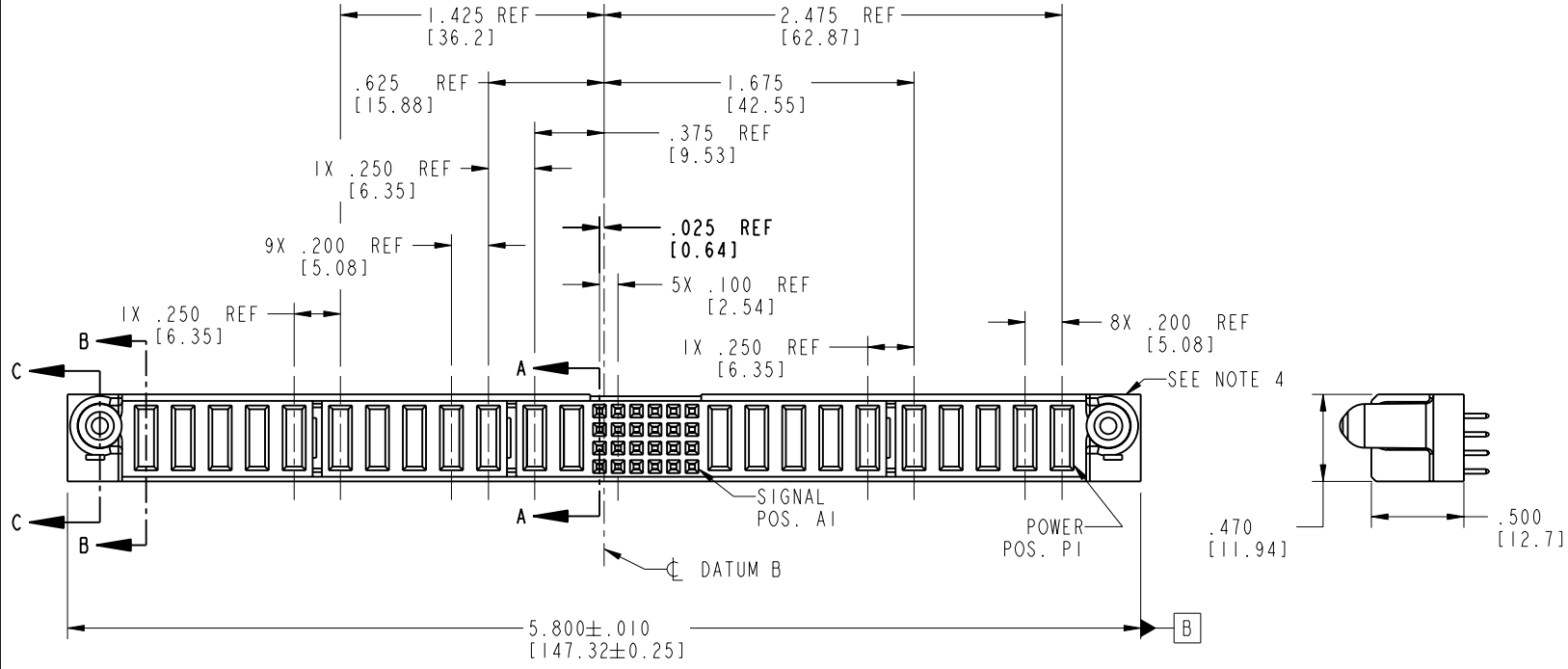


Tous droits strictement réservés. Reproduction ou communication o des liens interdite sous quelque forme que ce soit sans autorisation écrite du propriétaire. Propriété de c FCI. Droits de reproduction FCI.

All rights strictly reserved. Reproduction or issue to third parties in any form, whomever is not permitted without written authority from the proprietor. Property of FCI. Copyright FCI.

PRODUCT NO.	ROWS	POWER										SIGNAL					POWER														
		E2	P22	P21	P20	P19	P18	P17	P16	P15	P14	P13	P12	P11	6	5	4	3	2	1	P10	P9	P8	P7	P6	P5	P4	P3	P2	P1	E1
51857-002-- NOTE: 3	D C B A		PA	PA	PA	PA	PA	PA	PA	PA	PA	PA	PA	PA	PA	PA	PA	PA	PA	PA	PA	PA	PA	PA	PA	PA	PA	PA	PA	PA	



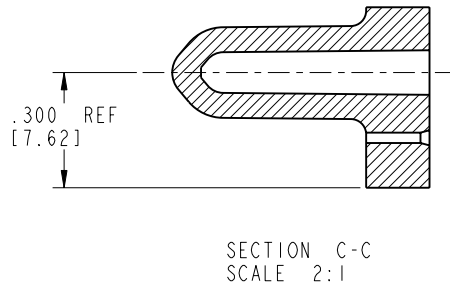
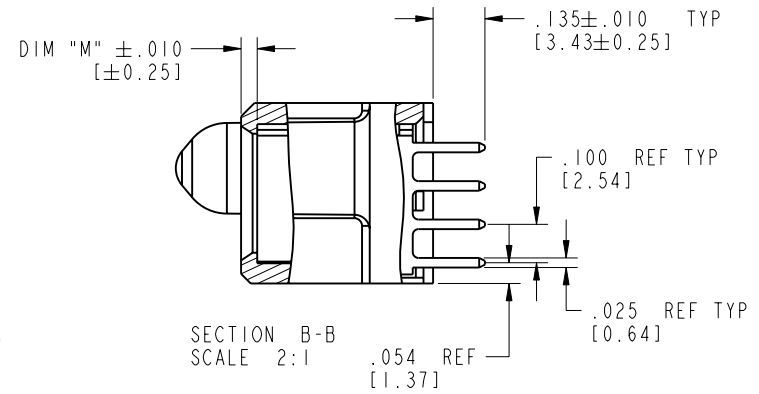
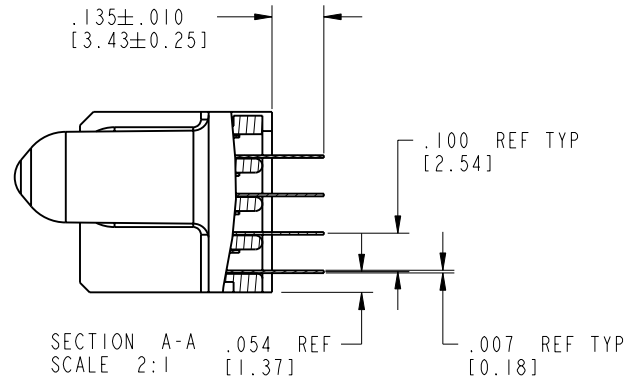
CODE	DIM "M" MATING LENGTH	CONTACT TYPE
E	N/A [N/A]	SIGNAL
PA	.042 [1.07]	POWER


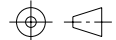
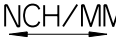
mat'l code SEE NOTE 2				tolerances unless otherwise specified		CUSTOMER		FCI www.fciconnect.com		
ltr	ecn no.	dr	date	linear	.XX±.01/0.X±0.3	COPY			title 10P + 24S + 12P VERTICAL SOLDER RECEPT	
A	V03-0209	TAB	02/26/03		.XXX±.005/0.XXX±0.13	projection				product family PwrBlade code 213
B	DG05-0530	GuoJM	12/12/05		.XXX±.0020/0.XXX±0.051	INCH/MM				
				angles	0° ± 2°	scale 1:1				
				dr	T. BRUNGARD 02/26/03					
				engr	M. MOSTOLLER 02/26/03					
				chr	M. MOSTOLLER 02/26/03					
				appd	M. MOSTOLLER 02/26/03					
sheet index		revision sheet		B 1	B 2	B 3	B 4			

Tous droits strictement réservés. Reproduction ou communication o des liers interdite sous quelque forme que ce soit sans autorisation écrite du propriétaire. Propriete de c FCI. Droits de reproduction FCI.

All rights strictly reserved. Reproduction or issue to third parties in any form, whatever is not permitted without written authority from the proprietor. Property of FCI. Copyright FCI.

PRODUCT NUMBER
51857-002--
NOTE: 3



mat'l code		SEE NOTE 2		tolerances unless otherwise specified		CUSTOMER		 FCI www.fciconnect.com	
ltr	ecn no.	dr	date	linear	.XX±.01/0.X±0.3	COPY			
B				projection	.XXX±.005/0.XX±0.13			title 10P + 24S + 12P VERTICAL SOLDER RECEIPT	
				angles	.XXX±.0020/0.XXX±0.051			product family PwrBlade code 213	
				dr	T. BRUNGARD 02/26/03	scale 1:1		size dwg no A 51857-002 sheet 2 of 4	
				enrg	M. MOSTOLLER 02/26/03				
				chr	M. MOSTOLLER 02/26/03				
				appd	M. MOSTOLLER 02/26/03				
sheet index	revision sheet								

Pro/E

cage code 22526

PDM: Rev:B

STATUS: Released

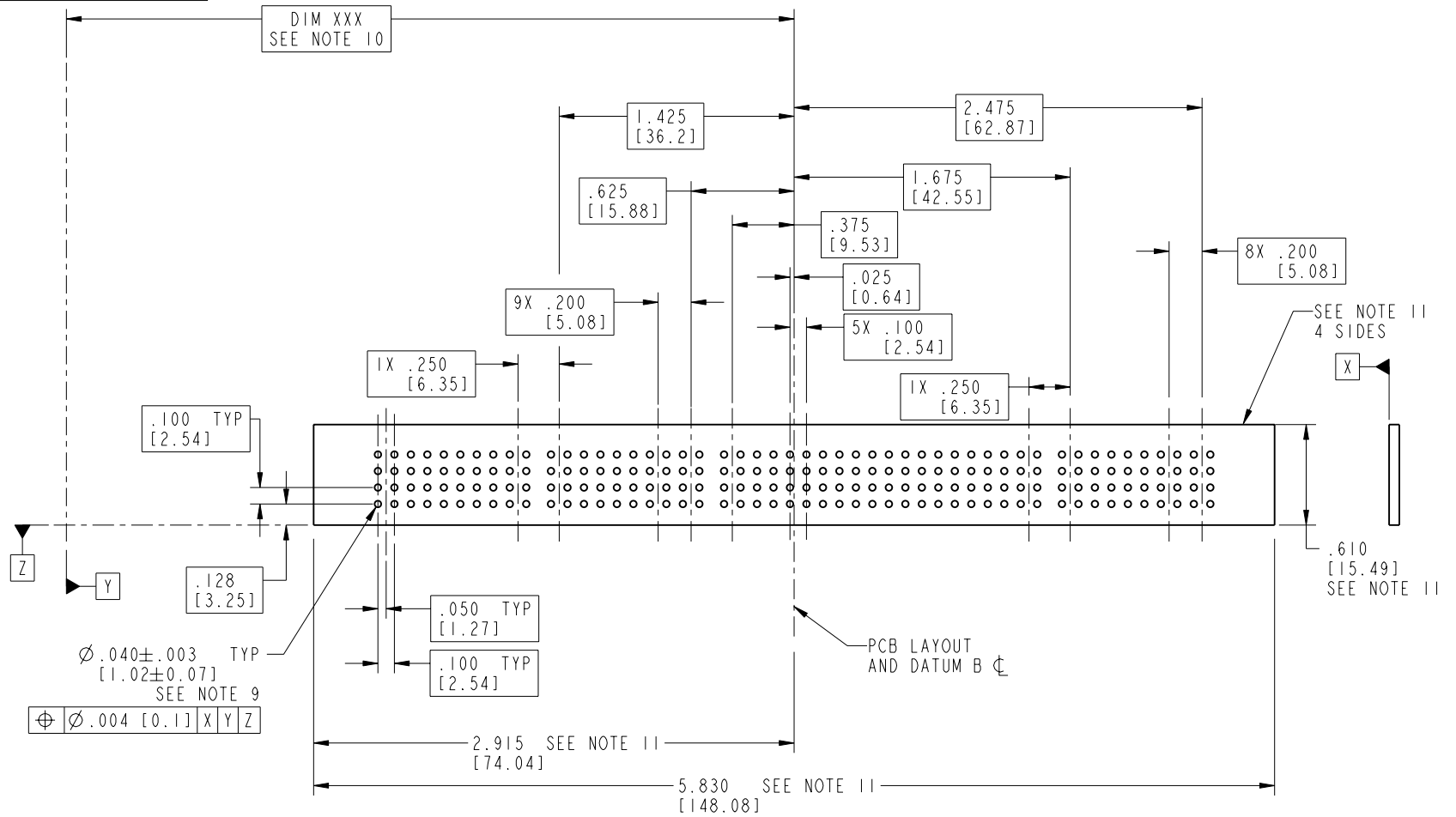
Printed: Dec 20, 2010

Tous droits strictement réservés. Reproduction ou communication o des liens interdite sous quelque forme que ce soit sans autorisation écrite du propriétaire. Propriété de c FCI. Droits de reproduction FCI.

All rights strictly reserved. Reproduction or issue to third parties in any form, whenever is not permitted without written authority from the proprietor. Property of FCI. Copyright FCI.

PRODUCT NUMBER
51857-002--
NOTE: 3

DIM XXX
SEE NOTE 10



mat'l code				SEE NOTE 2		tolerances unless otherwise specified		CUSTOMER		 www.fciconnect.com	
lfr	ecn no.	dr	date	linear	.XX±.01/0.X±0.3	projection		COPY		title	
B				angles	.XXX±.005/0.XX±0.13					10P + 24S + 12P	
				dr	.XXX±.0020/0.XXX±0.051	INCH/MM		product family		VERTICAL SOLDER RECEPT	
				enrg	0° ± 2°	scale		PwrBlade		code	
				chr		1:1		size		213	
				appd				dwg no		sheet	
sheet index	revision sheet							A		3 of 4	
								51857-002		3 of 4	

coge code 22526

Pro/E

Tous droits strictement réservés. Reproduction ou communication o des liers interdite sous quelque forme que ce soit sans autorisation écrite du propriétaire. Propriete de c FCI. Droits de reproduction FCI.

A **FCI**

All rights strictly reserved. Reproduction or issue to third parties in any form, whenever is not permitted without written authority from the proprietor. Property of FCI. Copyright FCI.

A

B

PRODUCT NUMBER

51857-002__
NOTE: 3

NOTES:

1. DIMENSIONS AND TOLERANCES ARE IN ACCORDANCE WITH ASME Y14.5M, 1994 UNLESS OTHERWISE SPECIFIED.

CONNECTOR NOTES:

② HOUSING MATERIAL: UL 94 V-0 GLASS FILLED
HIGH-TEMP THERMOPLASTIC
POWER CONTACT MATERIAL: COPPER ALLOY
SIGNAL PIN MATERIAL: COPPER ALLOY

3. PLATING:
51857-002 Singal Pin:30u"/0.76um Au OVER 50u"/1.27um Ni ON THE CONTACT AREA.
AND 100u"/2.54um SnPb PLATING OVER 50u"/1.27um Ni ON THE TERMINATION SECTION.
Power Pin:30u"/0.76um Au OVER 50u"/1.27um Ni ON THE CONTACT AREA,
AND 100u"/2.54um SnPb PLATING OVER 50u"/1.27um Ni ON THE TERMINATION SECTION.
51857-002LF Singal Pin:30u"/0.76um Au OVER 50u"/1.27um Ni ON THE CONTACT AREA.
AND 78u"/2.00um Sn PLATING OVER 50u"/1.27um Ni ON THE TERMINATION SECTION.
Power Pin:30u"/0.76um Au OVER 50u"/1.27um Ni ON THE CONTACT AREA,
AND 78u"/2.00um Sn PLATING OVER 50u"/1.27um Ni ON THE TERMINATION SECTION.

PART NUMBER 51857-002LF MEETS EUROPEAN UNION DIRECTIVE AND OTHER COUNTRY REGULATIONS AS DESCRIBED IN GS-22-008.

THE HOUSING WILL WITHSTAND EXPOSURE TO 260° PEAK TEMPERATURE FOR 10 SECONDS IN A WAVE SOLDER APPLICATION WITH A CIRCUIT BOARD.

④ MANUFACTURER'S NAME, P/N, AND DATE CODE TO APPEAR ON THIS SURFACE.

5. PRODUCT SPECIFICATION GS-12-149.
APPLICATION SPECIFICATION BUS-20-067.

6. PACKAGED IN TRAYS.

PCB NOTES:


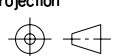
7. ALL HOLE DIAMETERS ARE FINISHED HOLE SIZE.

⑧ MOUNTING HOLES, WHERE APPLICABLE, ARE UNPLATED.

⑨ $\varnothing .0453 \pm .0010$ [1.151 ± 0.025] DRILLED HOLES PLATED WITH
.0003 [0.008] MIN SnPb OVER .001 [0.03]
TO .003 [0.08] Cu PLATING TO ACHIEVE
 $\varnothing .040 \pm .003$ [1.02 ± .07] HOLE.

⑩ "DIM XXX" TO BE DETERMINED BY THE CUSTOMER.

⑪ CONNECTOR KEEP-OUT ZONE.

mat'l code				SEE NOTE 2		tolerances unless otherwise specified		CUSTOMER		 www.fciconnect.com		
lfr	ecr no.	dr	date	linear	.XX±.01/0.X±0.3		COPY		 title 10P + 24S + 12P VERTICAL SOLDER RECEPT			
B					.XXX±.005/0.XX±0.13		INCH/MM					product family PwrBlade
				angles	.XXX±.0020/0.XXX±0.051		scale 1:1		size		sheet 4 of 4	
				dr	T. BRUNGARD	02/26/03			A		51857-002	
				engr	M. MOSTOLLER	02/26/03						
				chr	M. MOSTOLLER	02/26/03						
				appd	M. MOSTOLLER	02/26/03						
sheet index		revision sheet										

A

B

1 | 2

3 |

4

1 | 2

Pro/E

3 |

coge code 22526

4