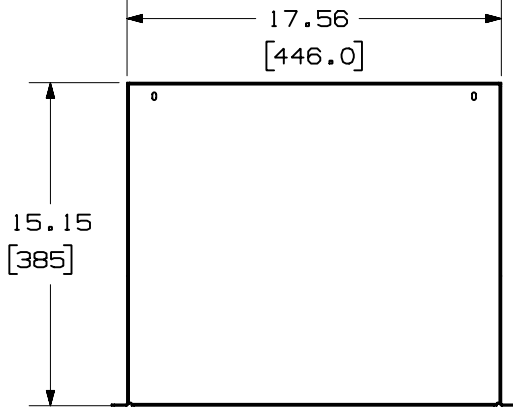


THIS COPY IS PROVIDED ON A RESTRICTED BASIS AND IS NOT TO BE USED IN ANY WAY DETRIMENTAL TO THE INTERESTS OF PANDUIT CORP.



| PANDUIT P/N | WEIGHT                       |
|-------------|------------------------------|
| SRM19FM1    | 5.38LBS/EACH<br>2440.3g/EACH |

NOTES:

1. IDENTIFICATION: RACK MOUNT SHELF 19" FRONT MOUNT 1 RU

PART NO.  
SRM19FM1

COLOR  
GAVANNEALED STEEL WITH  
BLACK POWDER COAT FINISH

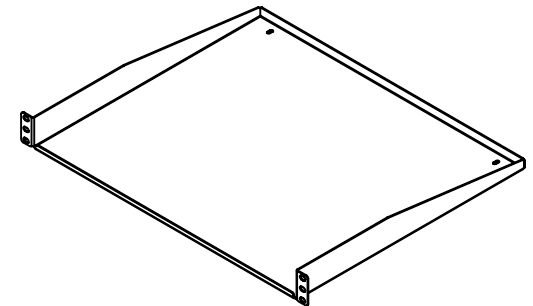
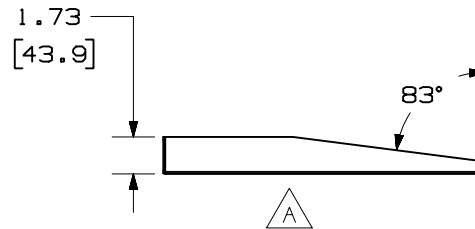
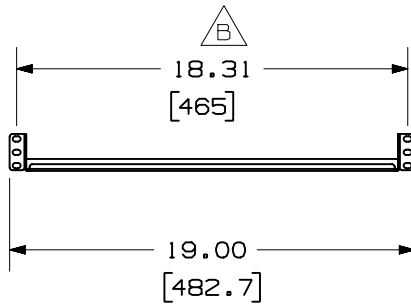
2. COMPONENTS:

- (1) 19" RACK MOUNT SHELF
- (4) #12-24 MOUNTING SCREWS
- (4) M6 METRIC SCREWS



3. DIMENSIONS IN PARENTHESIS ARE METRIC.

4. LOAD RATED TO 45 LBS. (20KGS)



MODEL FILENAME M10009BA\_SRM19FM1\_01.PRT

CAD FILENAME/LAYERS M10009BA\_DC\_01D.PRT

**PANDUIT** CORP. TINLEY PARK, ILLINOIS

19" RACK MOUNT SHELF  
(SRM19FM1) CUSTOMER DRAWING

UNLESS OTHERWISE SPECIFIED,  
DIMENSIONAL TOLERANCES ARE:  
(.X) ± .03 (.XXX) ± .005  
(.XX) ± .01 ANGLES ± 1°

UNLESS OTHERWISE SPECIFIED,  
ALL DIMENSIONS ARE GIVEN  
IN INCHES, THIRD ANGLE PROJECTION.

DRAWN BY  
JDWE

MAT'L:

SCALE 1/8

DATE  
9-5-01

SEE  
NOTES

DRAWING NO.

DWG  
A  
SIZE

CHK'D  
RTSU

10009-06

| REV | DATE    | BY   | CHK  | DESCRIPTION   | ECN      | R    | CUST | SUP | OTH |
|-----|---------|------|------|---|----------|------|------|-----|-----|
| 3   | 5-2-02  | JDWE |      | D. ADDED METRIC SCREWS                              | 10009-06 |      |      |     |     |
| 2   | 9-25-01 | MECA | MECA | C. ADDED NOTE 4                                     | 10009-06 | RTSU |      |     |     |
| 1   | 9-21-01 | JDWE | MECA | B. REASSOCIATED DIMENSION.<br>A. REMOVED DIMENSION. | 10009-06 | RTSU |      |     |     |
| R   | 9-5-01  | JDWE | RTSU | RELEASE TO PRODUCTION                               | 10009-06 | RTSU |      |     |     |