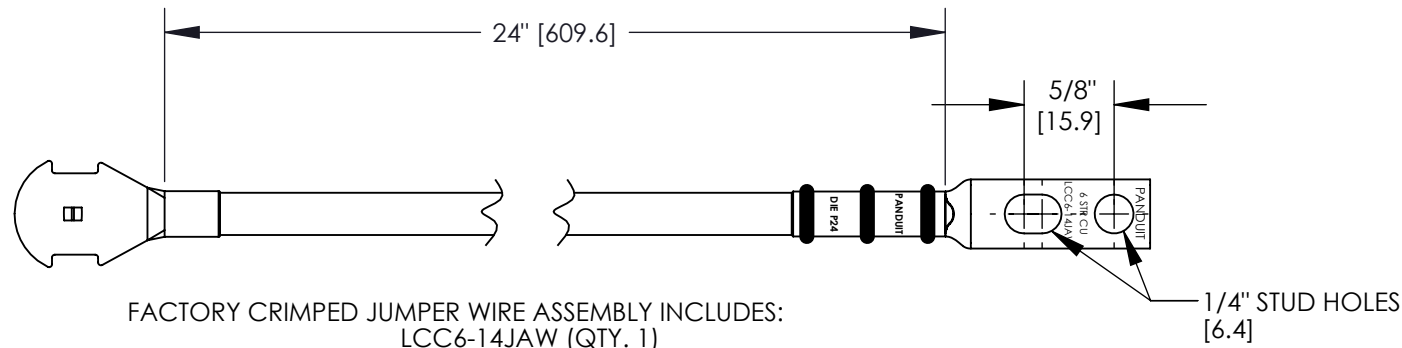
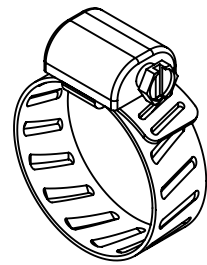


NOTES:

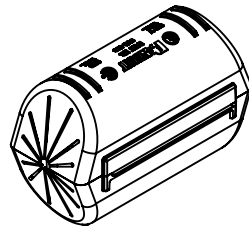
1. KIT INCLUDES JUMPER WIRE ASSEMBLY, MECHANICAL CLAMP, THREAD-FORMING SCREWS, AND TERMINAL COVER.
2. FOR USE WITH UNJACKETED ARMOR CABLE. DIAMETER RANGE - .440" - 1.250".
3. DIMENSIONS IN PARENTHESIS ARE MILLIMETERS



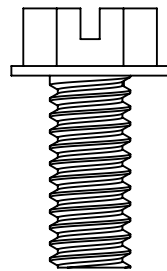
FACTORY CRIMPED JUMPER WIRE ASSEMBLY INCLUDES:  
 LCC6-14JAW (QTY. 1)  
 ARMORED CABLE GROUNDING TERMINAL (QTY. 1)  
 #6 AWG/16mm SQ. WIRE - GREEN/YELLOW INSULATION, 24" [609.6]



#10 MECHANICAL CLAMP, 9/16" - 1-1/16" DIAMETER RANGE  
 #16 MECHANICAL CLAMP, 15/16" - 1-1/2" DIAMETER RANGE



BLACK POLYPROPYLENE COVER; CVR250  
 BLACK POLYPROPYLENE COVER; CVR500



#12-24 SLOTTED HEX-HEAD ZINC PLATED  
 THREAD-FORMING SCREW

M6 SLOTTED HEX-HEAD ZINC PLATED  
 THREAD-FORMING SCREW

COMPONENT DESCRIPTION	ACG24K	ACG24K-500	ACG24KX-500
	COMPONENT QTY.	COMPONENT QTY.	COMPONENT QTY.
24" JUMPER ASSEMBLY	1	1	1
#10 MECHANICAL CLAMP	1	1	N/A
#16 MECHANICAL CLAMP	N/A	N/A	1
BLACK POLYPROPYLENE COVER - CVR250	1	N/A	N/A
BLACK POLYPROPYLENE COVER - CVR500	N/A	1	1
#12-24 THREAD FORMING SCREW	2	2	2
M6 THREAD FORMING SCREW	2	2	2

							<b>PANDUIT CORP. TINLEY PARK, ILLINOIS</b>	
							ARMORED CABLE GROUNDING JUMPER KIT (ACG24K, ACG24K-500, ACG24KX-500) CUSTOMER DRAWING	
							UNLESS OTHERWISE SPECIFIED DIMENSIONAL TOLERANCES ARE: (.X) ±            (.XXX) ± (.XX) ±            ANGLES ±	
							UNLESS OTHERWISE SPECIFIED, ALL DIMENSIONS ARE GIVEN IN INCHES, THIRD ANGLE PROJECTION	
05	7/11	JHNU	JHNU	REVISED TABLE TO REMOVE PART ALREADY IN TABLE	N41753BB-C41753	RGB	RGB	SCALE <b>NONE</b>
04	5/11	JHNU	RWK	REVISED NOTE 2: 1.250" WAS 1.000"	N41753BB-C41753	RGB	RGB	
03	5/11	JHNU	RWK	REMOVED ACG24KX FROM DRAWING	N41753BB-C41753	FLD	FLD	DRAWING NO / CAD FILE C41753_05
02	4/11	JHNU	RWK	ADDED PART NUMBER ACG24KX-500, ACG24KX	N41753BB-C41753	FLD	FLD	
01	9/08	JHNU	JMAR	ADDED P/N ACG24K-500 ADDED TABLE TO CLARIFY COMPONENT QUANTITIES				DWG <b>B</b> SIZE
00	6/08	JHNU	JMAR	DRAWING RELEASED				
<b>REV</b>	<b>DATE</b>	<b>BY</b>	<b>CHK</b>	<b>DESCRIPTION</b>	<b>ECN</b>	<b>-R</b>	<b>SUP</b>	