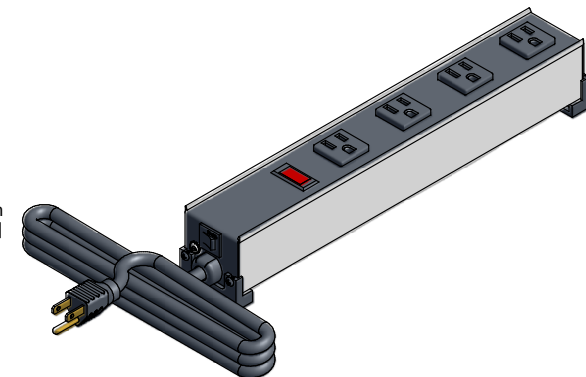
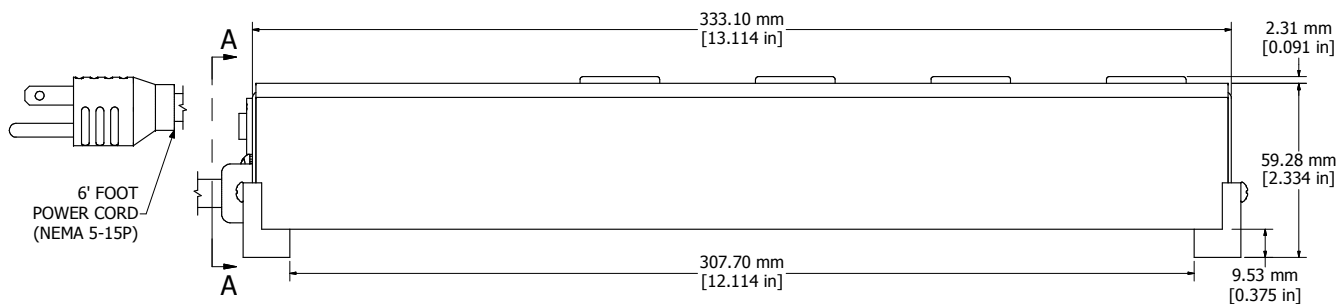


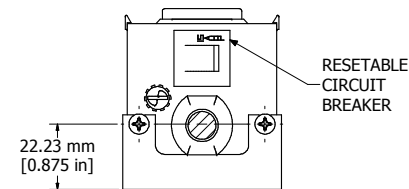
ASSEMBLY - VIEW FROM TOP



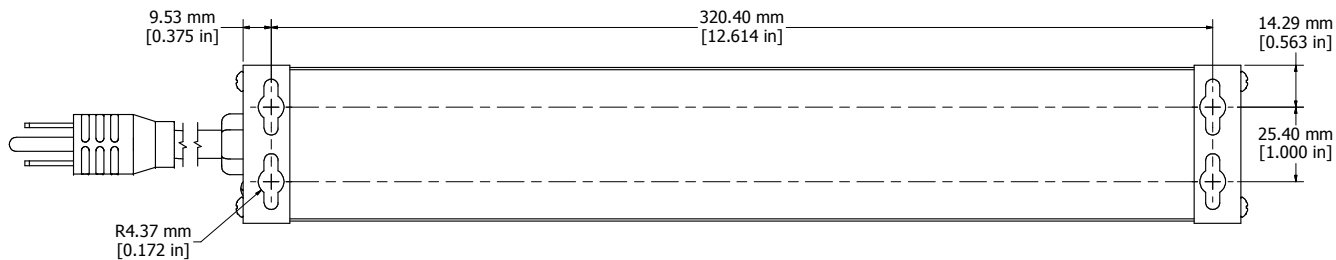
ISOMETRIC VIEW



ASSEMBLY - VIEW FROM TOP



SECTION A-A



ASSEMBLY - VIEW FROM BOTTOM

1584T4**RA
Finish - Top - Black Painted Steel
Bottom - Aluminum Extrusion
Rated - 120 VAC, 60 Hz, 15 Amps
Approvals - CSA Certified Standards C22.2 (No. 21-95, 42-99)
- UL Listed, Standard UL1363
Cord Length
1584T4A1RA - 6' Foot Power Cord (NEMA 5-15P)
1584T4B1RA - 15' Foot Power Cord (NEMA 5-15P)



**HAMMOND
MANUFACTURING™**

1584T4RA**

www.hammondmfg.com