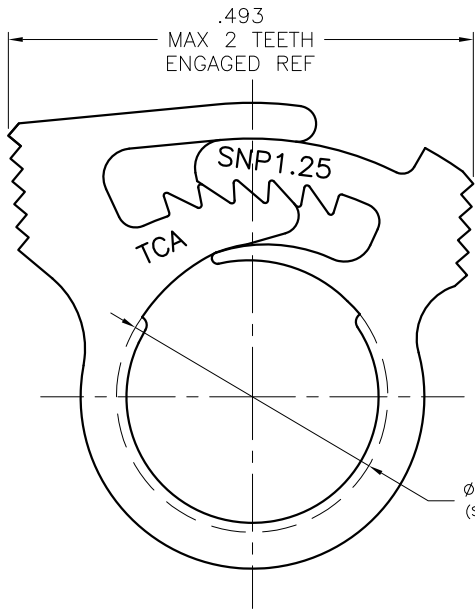


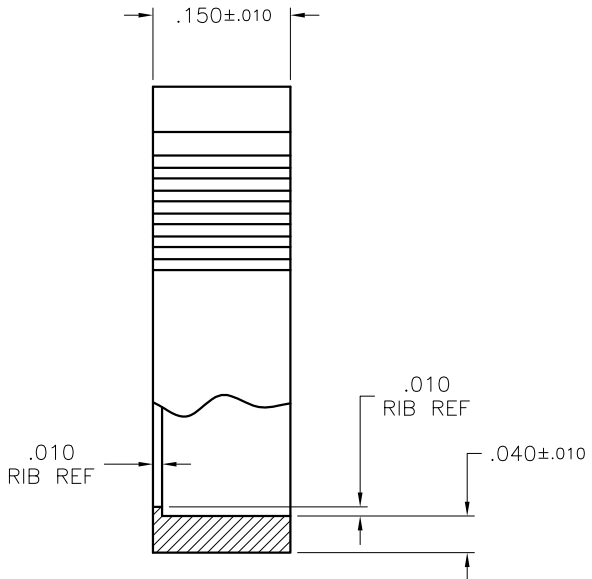
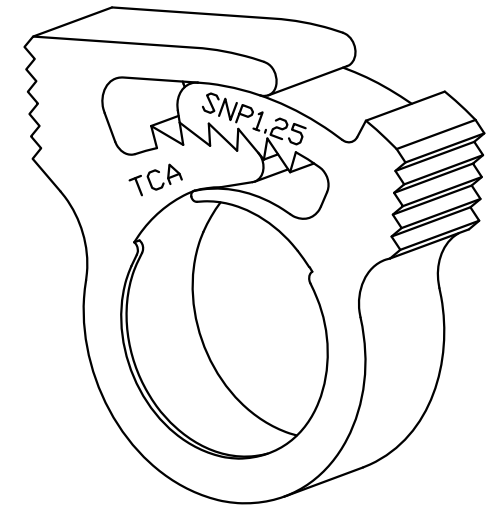
* $\phi .277 \pm .010$
(SEE NOTE 1)



$\phi .296 \pm .010$
(SEE NOTE 1)



FULL SIZE
AS MOLDED



REDUCED
NO SCALE

| | | |
|--|------|-------------|
| HellermannTyton | | |
| ALL PROPRIETARY RIGHTS IN THE SUBJECT MATTER SHOWN ON THIS DRAWING ARE EXCLUSIVE PROPERTY OF HELLERMANNTYTON | | |
| name | date | city, state |
| | | |
| | | |
| | | |

NOTES

- INSIDE DIAMETERS ARE MEASURED IN THREE PLACES SPACED 120° APART EXCLUDING .010 WIDE RIB
- 8 TOTAL TEETH, 4 TEETH POSITIONS

| | | |
|----------|------------|----------|
| REVISION | level | 01 |
| | date | 03/16/09 |
| | by | AAC |
| | ECN # | 011268 |
| | part level | - |

DIMENSIONS
UNLESS OTHERWISE SPECIFIED
units inches

| | | | |
|----------|-------------------------|-------|------------|
| number | SNP1.2510 | phase | PRODUCTION |
| name | SNAPPER 1.25 HOSE CLAMP | | |
| material | ACETAL WHITE | | |

| | | | | | | |
|---------|----------------------|-------------------|---------|-----------------|--------------|--------|
| DRAWING | FORMAT C version | U | CAD | ACAD | scale | 10X |
| | computer file number | CP\CST\2125002_01 | | previous number | | |
| | drawn | AAC | checked | K.A.C. | approved | |
| | date | 03/16/09 | release | 03/16/09 | sheet | 1 of 1 |
| | type | CUSTOMER | | number | CP2125002CST | |