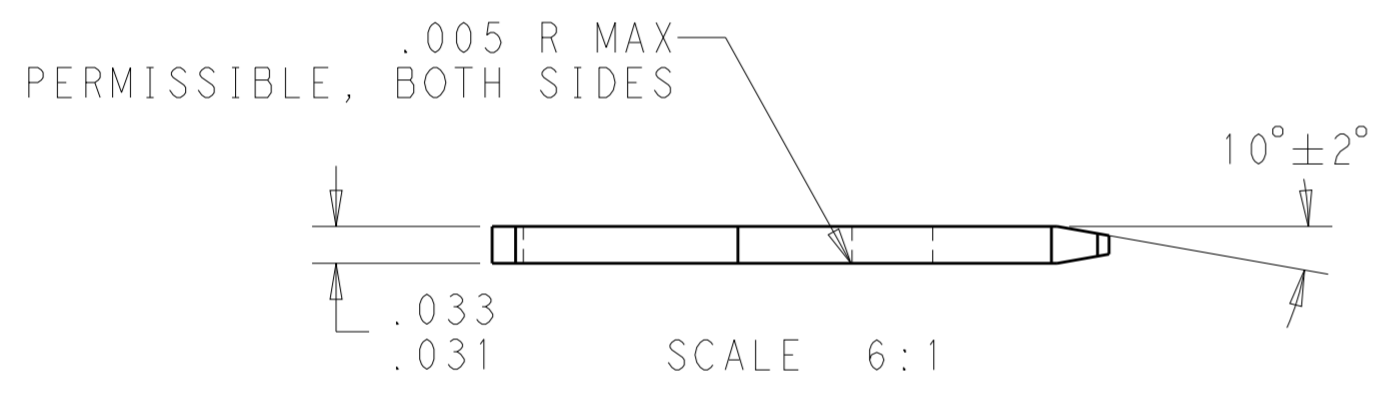
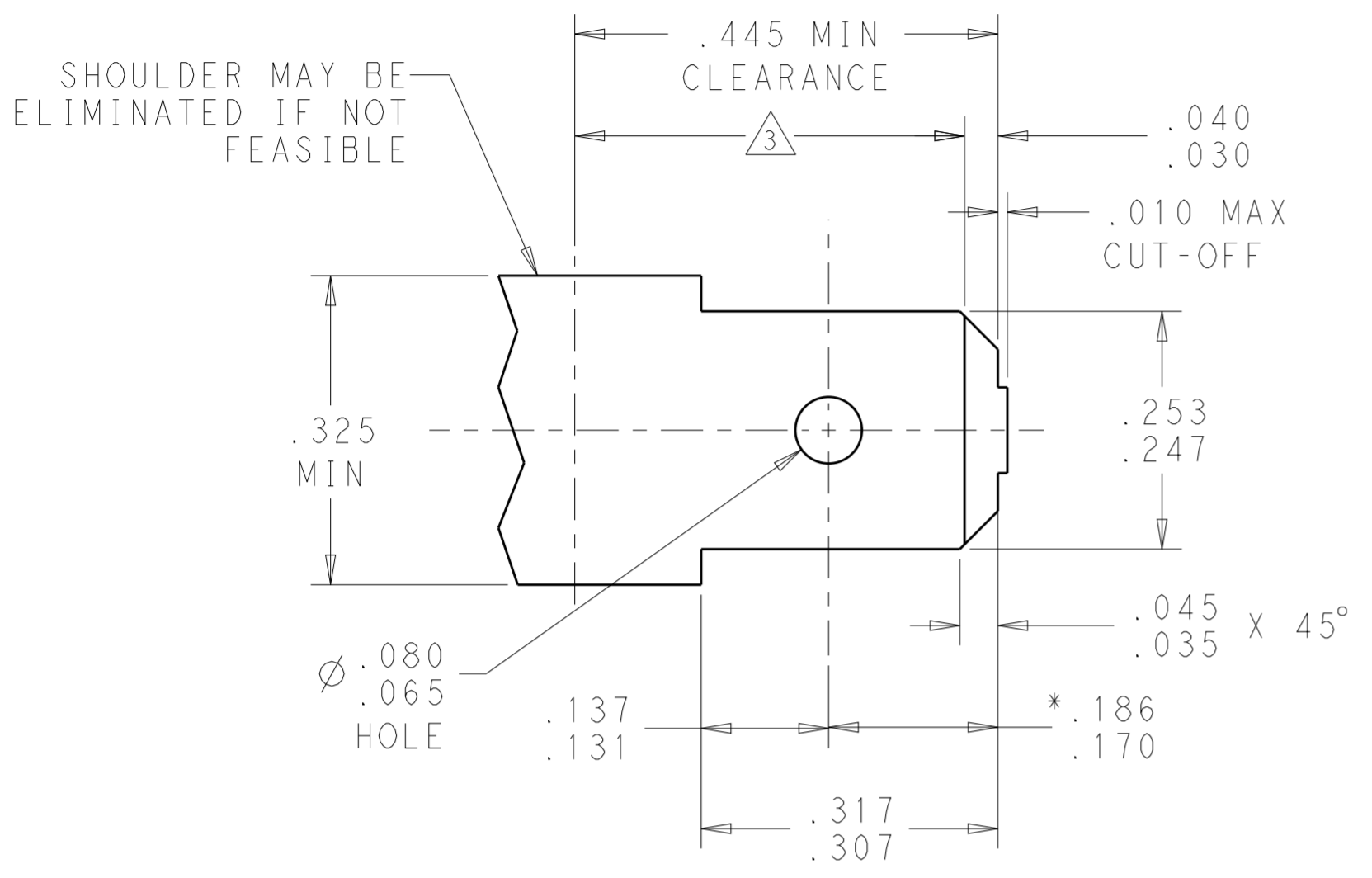
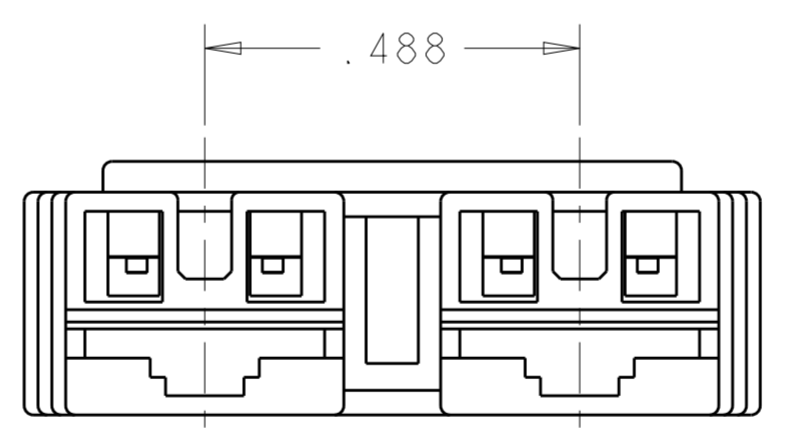
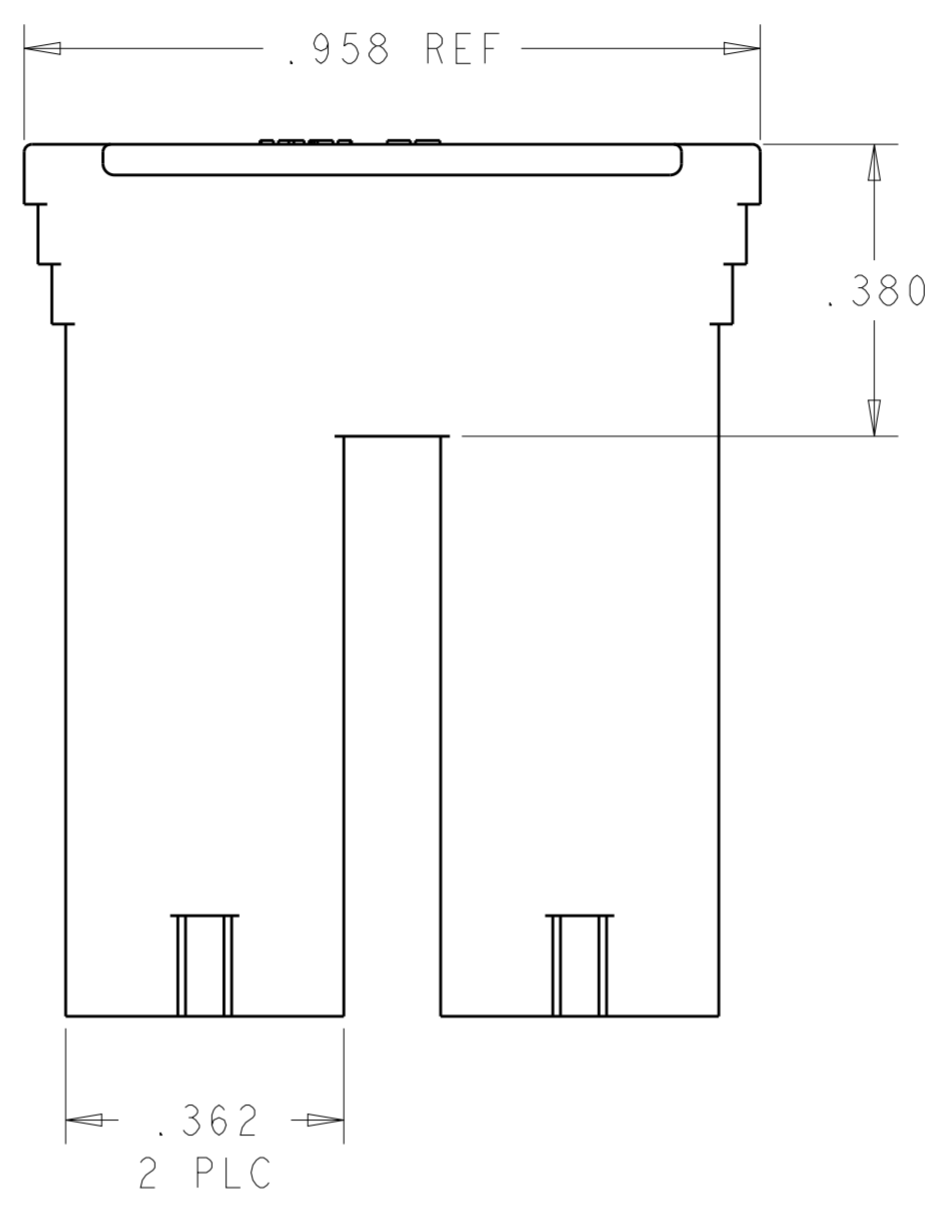
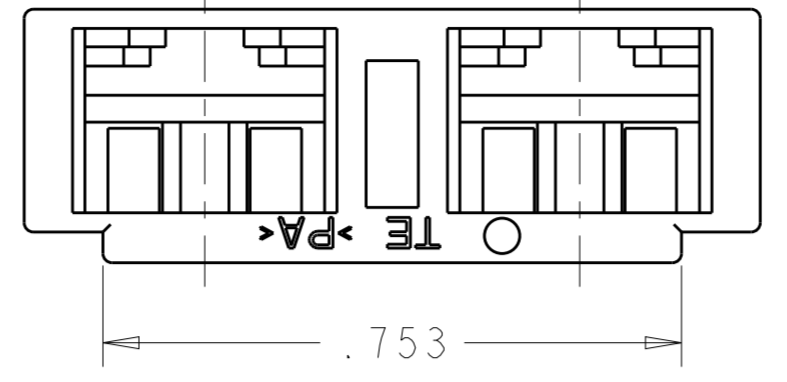
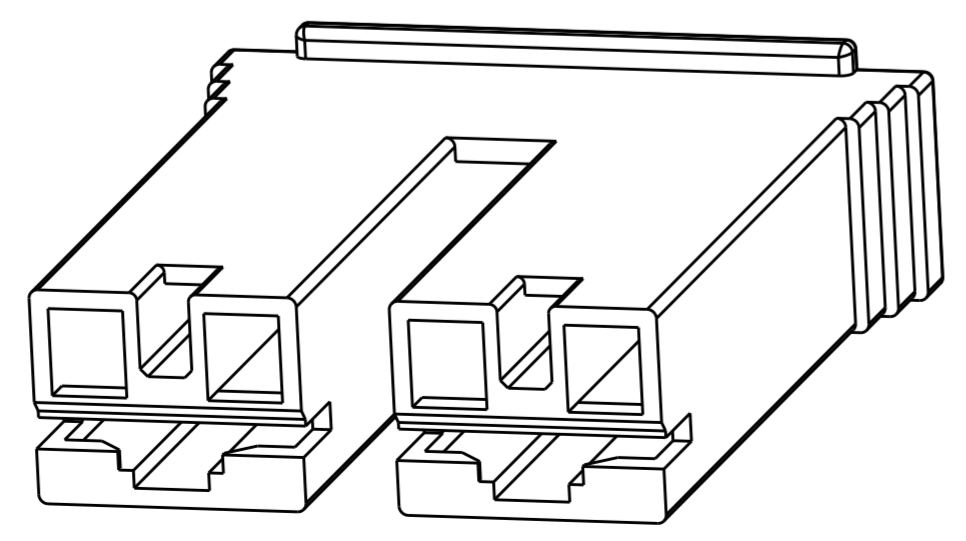


THIS DRAWING IS UNPUBLISHED. RELEASED FOR PUBLICATION 20
 © COPYRIGHT 20 BY - ALL RIGHTS RESERVED.

SUGGESTED MATING TAB



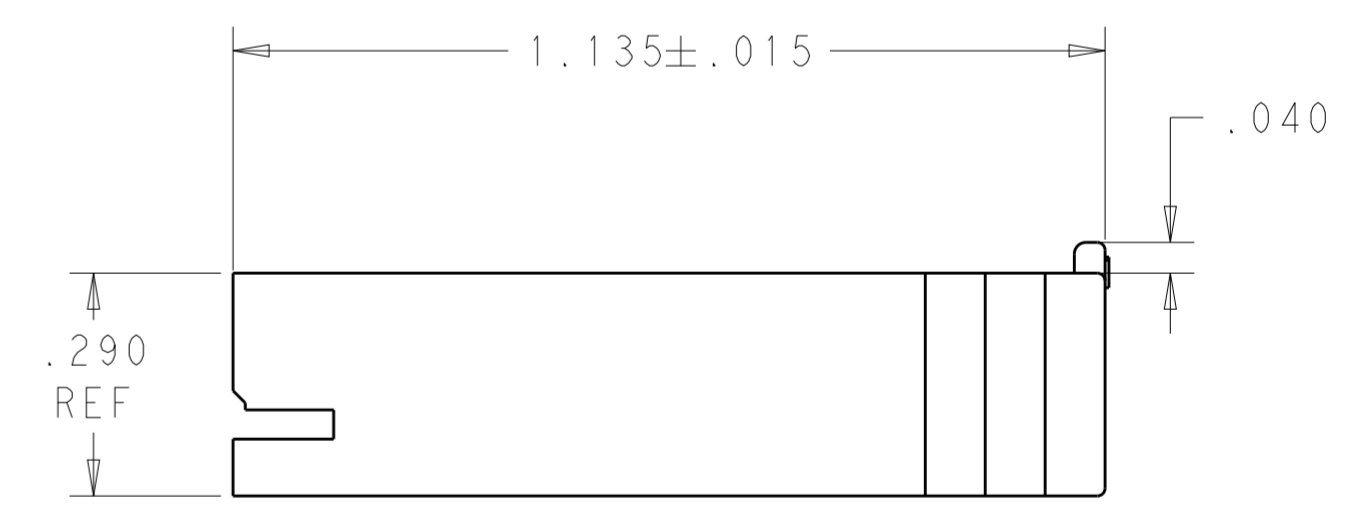
- 1 MATL: 1/2H BRASS OR NICKEL PL STEEL
- 2 NO BURRS PERMISSBLE AT HOLE
- △ MUST BE FLAT WITHIN .003 OVER THIS LENGTH
- 4 TIN PLATING IS REQUIRED ON BRASS WHEN TERMINAL TEMP IS OVER 225° F.
- 5 HOLE MUST BE SYMMETRICAL ABOUT TAB CENTERLINE WITHIN .003
- * TO BE USED ONLY WHEN SHOULDER IS ELIMINATED.



1 FOR USE WITH MKII POSITIVE LOCK, LOW INSERTION FORCE FASTON RECEPTACLES AND MOST BUDGET FASTON RECEPTACLES.

△ PRELIMINARY - NOT FOR PRODUCTION

LOC		DIST		REVISIONS			
P	LTR	DESCRIPTION	DATE	DWN	APVD		
	A3	REVISED PER ECR-12-011782	03JUL2012	KH	KR		



NATURAL (WHITE)	66/6 NYLON V0	1969332-2
NATURAL (TRANSLUCENT)	6/6 NYLON V2	△ 1969332-1
COLOR	MATERIAL	PART NO.

THIS DRAWING IS A CONTROLLED DOCUMENT.

DIMENSIONS: INCHES	TOLERANCES UNLESS OTHERWISE SPECIFIED:	DWN: JR RUTH 21OCT2009	 TE Connectivity
	0 PLC ±-	CHK: GARY PORTA 21OCT2009	
	1 PLC ±.1	APVD: GARY PORTA 21OCT2009	
	2 PLC ±.02	NAME: HOUSING, RECPT, POSITIVE-LOCK AND STANDARD FASTON, .250 SERIES MKII	
MATERIAL: SEE TABLE	FINISH: SEE TABLE	PRODUCT SPEC: 108-5127	SIZE: A2
		APPLICATION SPEC: 114-2074	CAGE CODE: 00779
		WEIGHT: -	DRAWING NO: C-1969332
		Customer Drawing	RESTRICTED TO: -
		SCALE: 4:1	SHEET: 1 OF 1
			REV: A3