

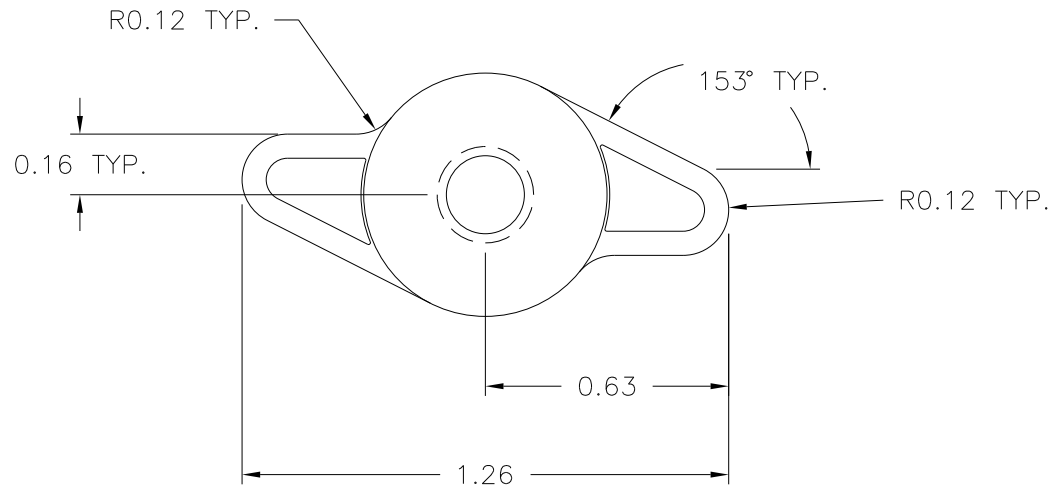
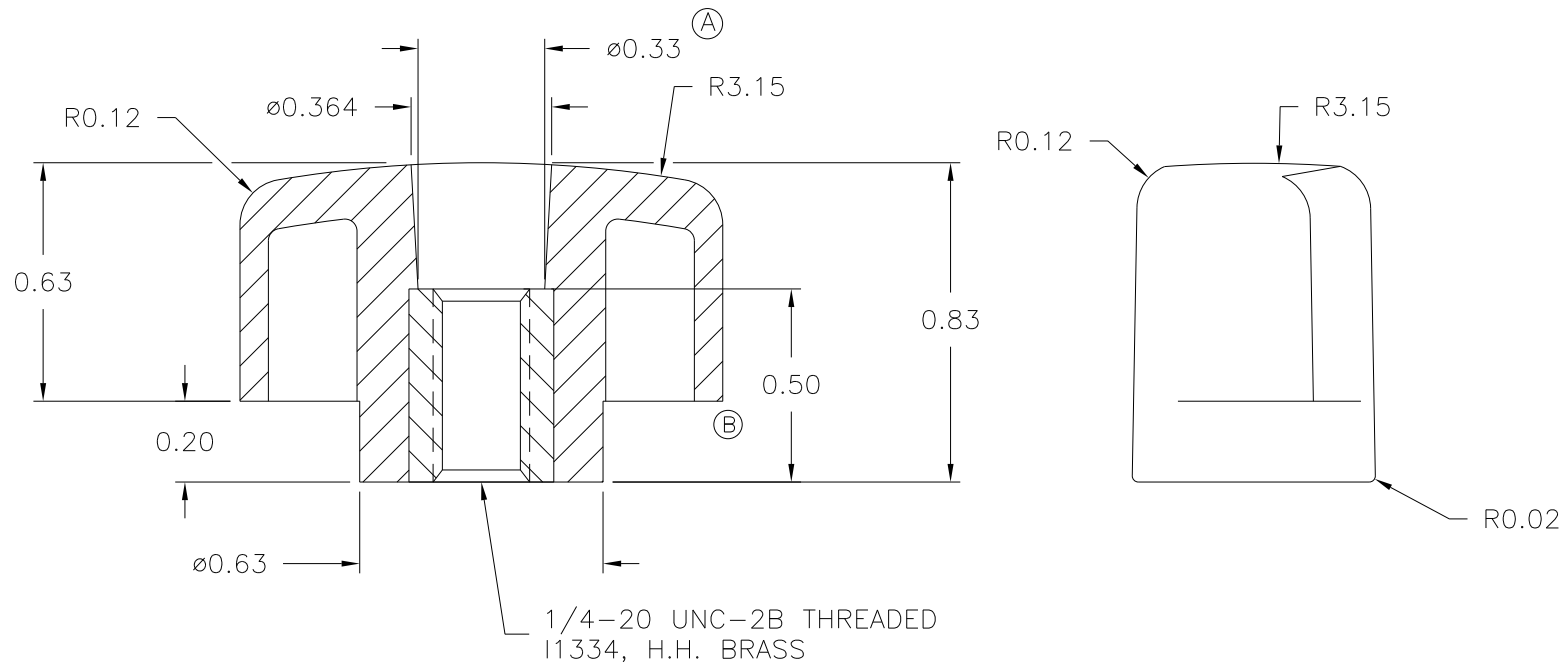
THIS DRAWING IS THE PROPERTY OF DAVIES MOLDING COMPANY, IS SUBMITTED SOLELY AS A DESIGN OR ENGINEERING PROJECT. WE ACCEPT NO RESPONSIBILITY WHATSOEVER FOR THE PRACTICAL APPLICATION OF THE PIECES MADE TO THIS DESIGN.



DESIGNERS & MANUFACTURERS OF KNOBS, HANDLES, CASES & CUSTOM PLASTIC COMPONENTS

P/N 3084-E

M NO.	3084
CAVITY	3084-E
CORE	3084
CAVITY PIN	3084-E
SLEEVE	3084
PIN	3084
INSERT	11334



MATERIAL: HIPS  
COLOR: BLACK

NOTE(S) :

- (1) DRAFT PER SIDE 1° MAX. UNLESS OTHERWISE SPECIFIED.
- (2) DIMENSIONS SHOWN ARE MINUS DRAFT.
- (3) ALL EXTERNAL SURFACES TO BE RAWAL TEXTURE (MT-11010)
- (4) ALL RADII TO BLEND SMOOTH WITH ADJOINING SURFACES.

TOLERANCES: UNLESS OTHERWISE SPECIFIED	DO NOT SCALE DRAWING	B	REMOVED RADIUS	JAM	11/23/09
DECIMALS: X.XXX ± .005 X.XX ± .015	MM: X.XX ± 0.15MM X.X ± 0.4MM	-	REDRAWN	TL	11/11/99
FRACTIONS ± 1/64	ANG. ± 1°	A	ø.328 WAS ø.313	HD	8/10/96
CHANGES					