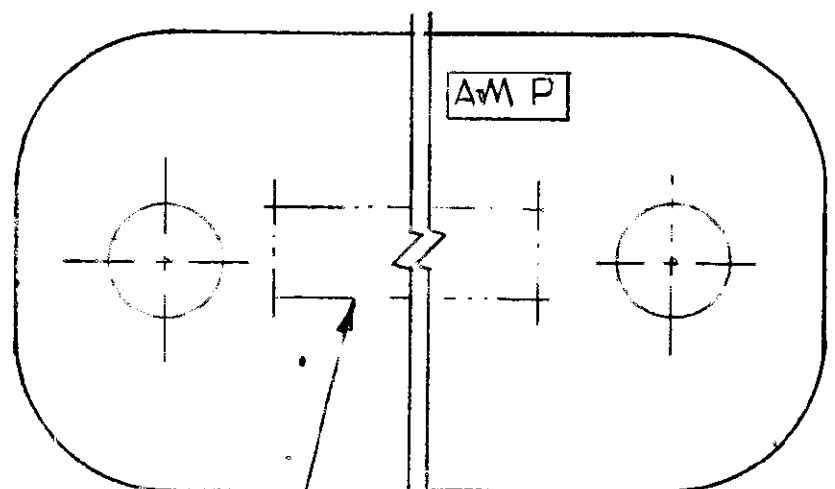
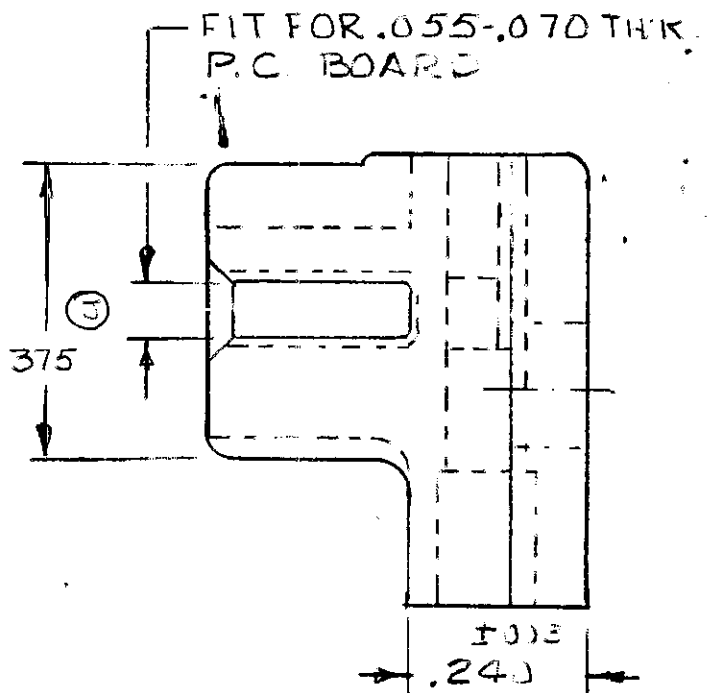
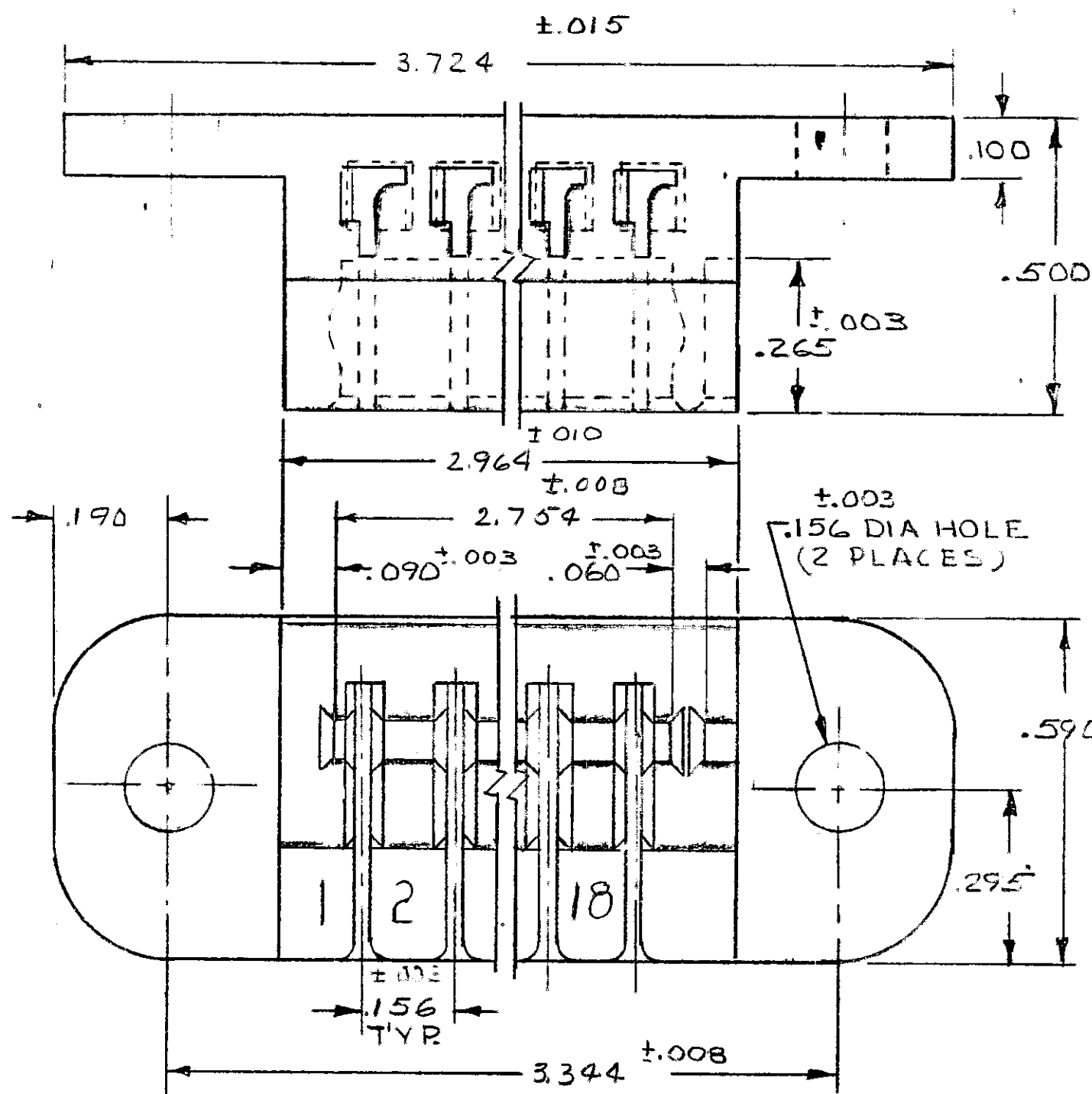


REVISIONS					
ZONE	LTR	DESCRIPTION	DATE	APPROVED	
	H1	REDRAWN WITHOUT CHANGE	338A DR 2-8-72	SH	
	J	REVISED	3535 MS 6-8-72	LH	
	T1	OBS - O	AD1097 RO 2-7-86	RL	
	K	REV PER AD 1746	8-24-67	CBW	
	L	REV / AD 1840 OBS -1	TH 3-8-83	HLR	
	M	REV PER 0010-1143-95	11-9-83	PL	
	N	REV PER EC 0G3C-233-01	08OCT01	MM	

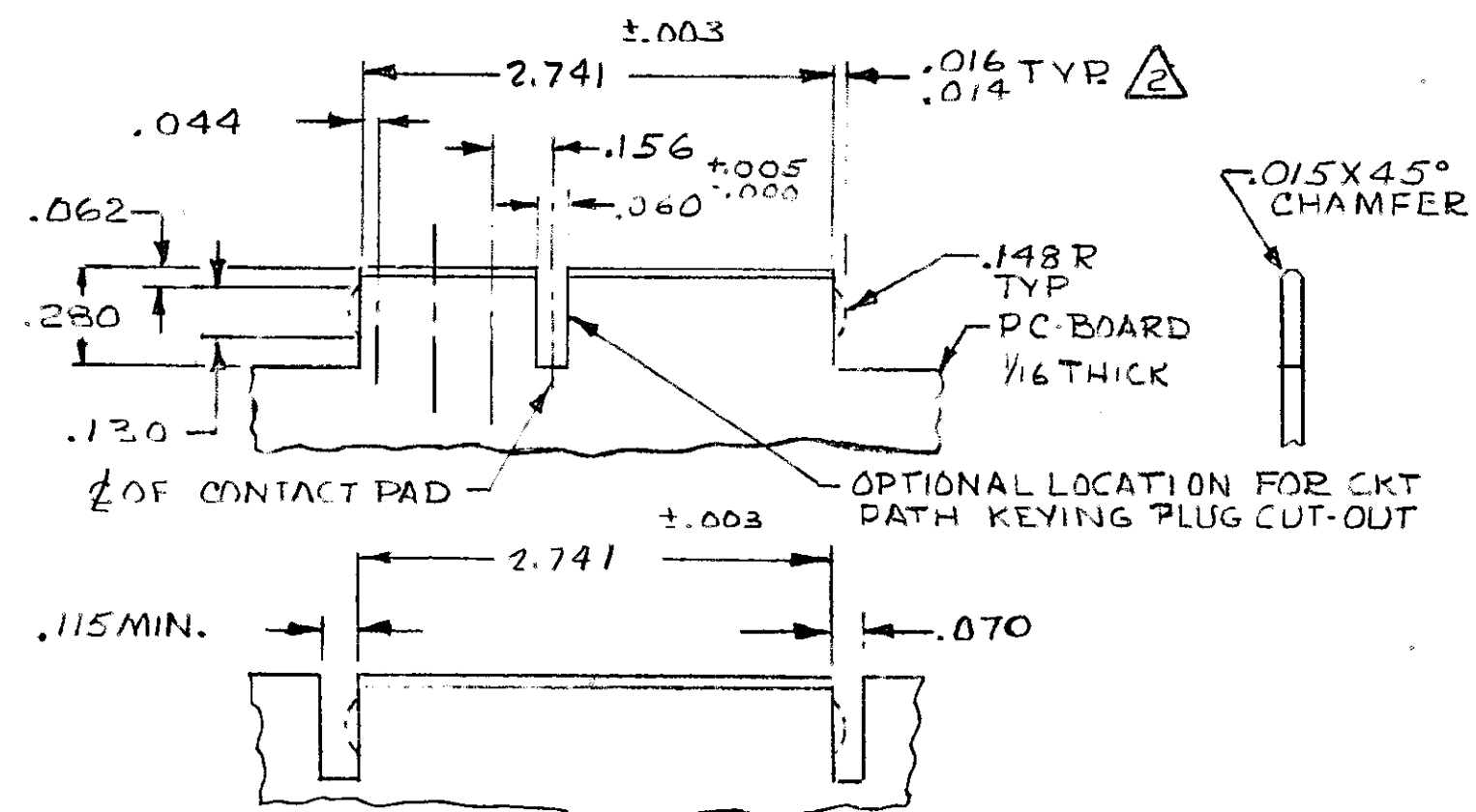
PART N ^o .	COLOR.
582387-1	BROWN
582387-2	RED
582387-3	ORANGE
582387-4	YELLOW
582387-5	GREEN
582387-6	BLUE
582387-7	VIOLET
582387-8	GRAY
582387-9	NATURAL
582387-0	BLACK

OBSOLETE

OBSOLETE



PART N^o & DATE CODE MARKED OR MOLDED IN THIS AREA, DATE CODE (OPTIONAL)



OPTIONAL CUT-OUTS.

1. REFER TO 60215 & 533284 FOR TERMINAL.
2. THE RETAINING DIMPLES ARE OPTIONAL IN BOTH CUT-OUTS.
3. CARD SLOT AND MOUNTING HOLE DIMENSIONS TO BE CHECKED WITH HOUSING RESTRAINED. (AS MOUNTED)

UNLESS OTHERWISE SPECIFIED, DIMENSIONS ARE IN INCHES TOLERANCES ON: DECIMALS: .005 ANGLES:	CONTRACT NO.	AMP INCORPORATED HARRISBURG, PENNSYLVANIA
	MATERIAL	
NYLON	DR <i>W. White</i> 2-8-72	HOUSING, DUS-TYNE FLAG, WITH MOUNTING HOLES, 18 POSITION
	CHK <i>S. White</i> 2-21-72	
	APPD <i>D. Bushey</i> 2-22-72	SIZE
	REL <i>R. Spurnan</i> 2-22-72	CODE IDENT NO.
	DSGN APPD	NUMBER
	OTHER APPD	C 00779 582387
		SCALE 4-1 SHEET 1 OF 1

NUMBER 582387