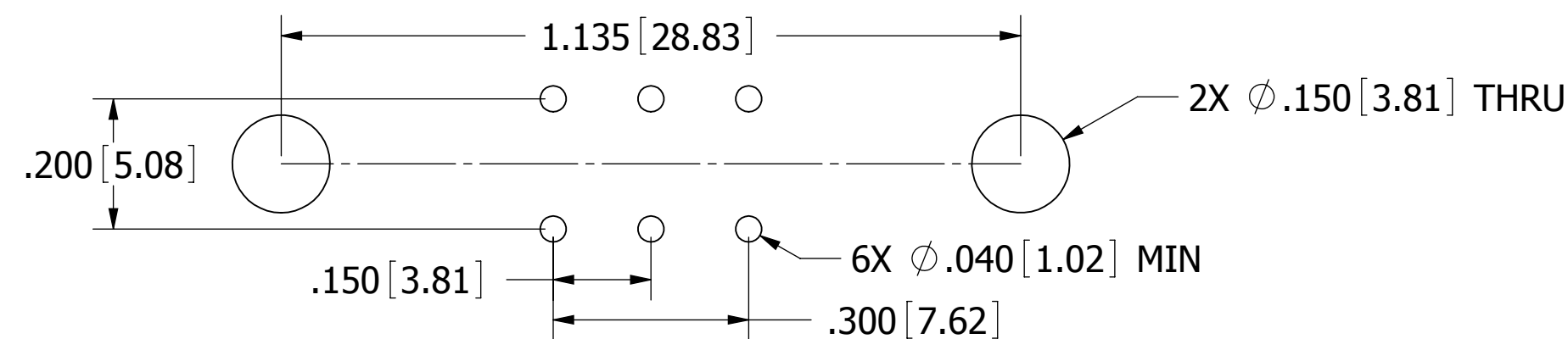
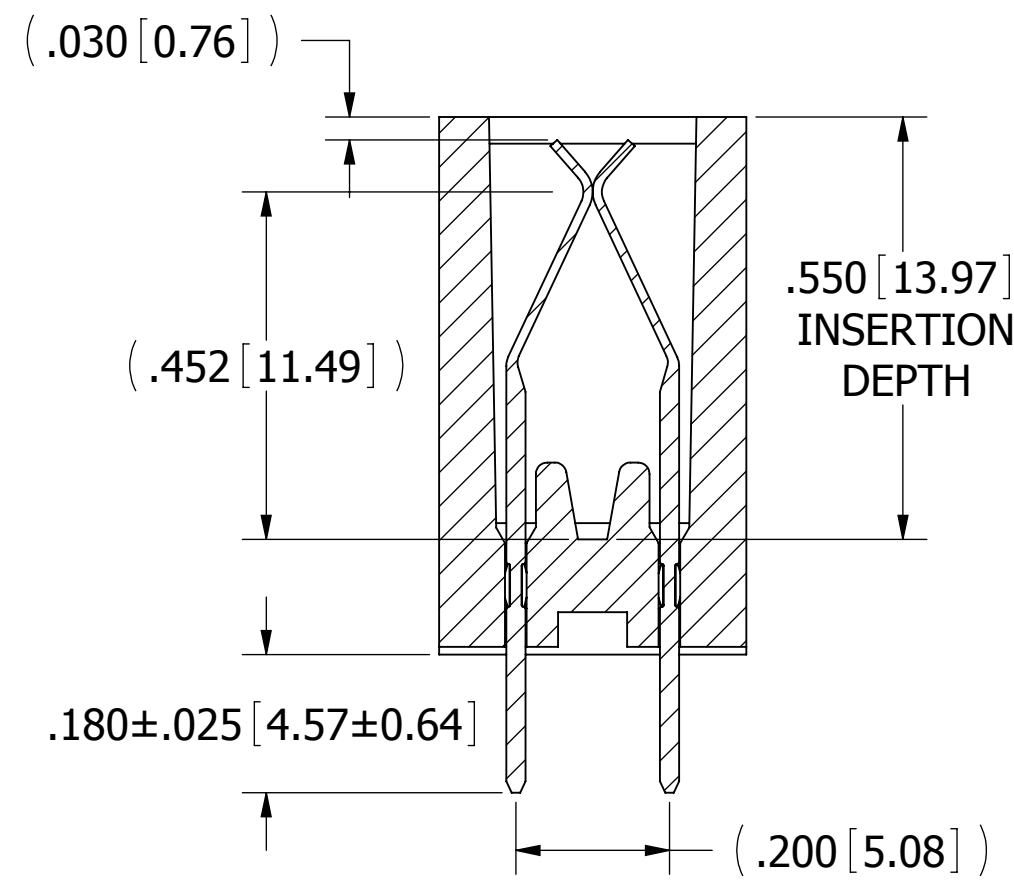
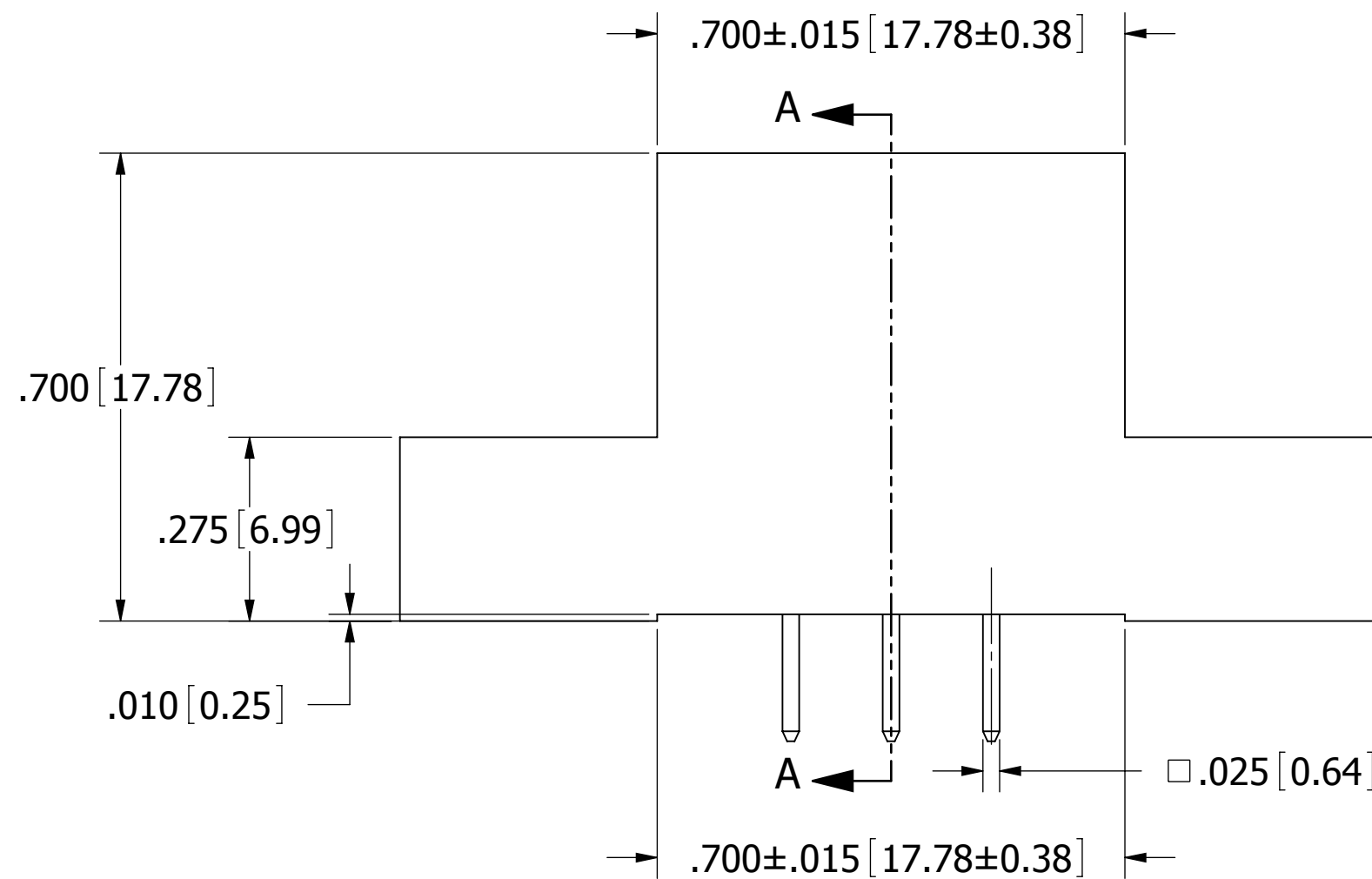
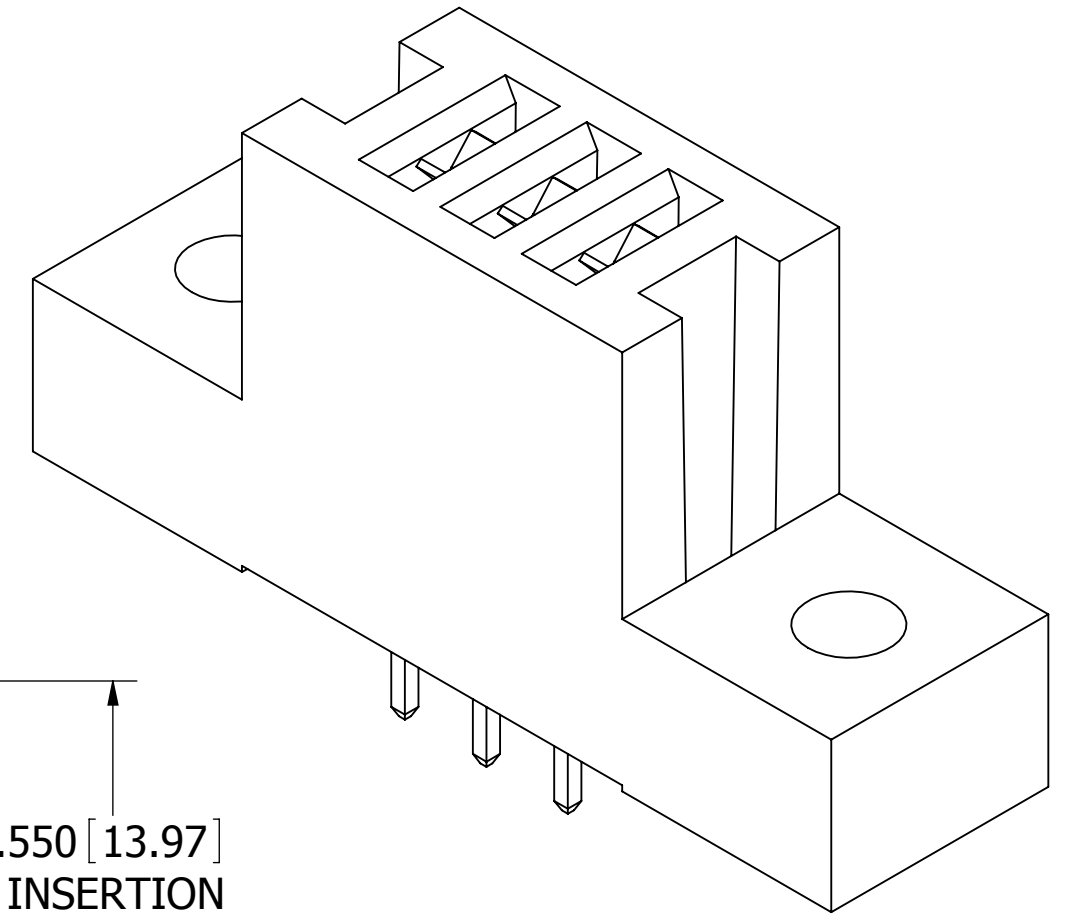
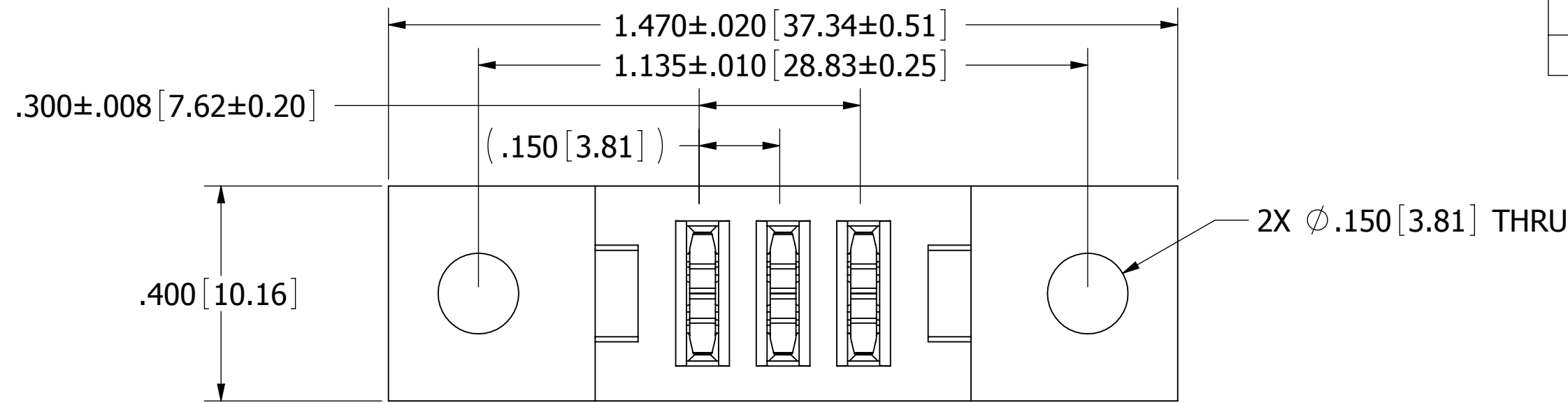


REVISIONS				
REV.	ECO. NO	DESCRIPTION	DATE	BY
A	2284	INITIAL RELEASE	03/02/11	JH
B	2661	UPDATED NOTE & DRAWING FORMAT	9/6/2012	KV



- NOTES:**
- INSULATOR MATERIAL: PPS
 - CONTACT MATERIAL: BERYLLIUM COPPER
 - PLATING: .000050" MIN NICKEL UNDERPLATE
CONTACT SURFACE: .000030" GOLD
TERMINATION: .000010" GOLD OVERALL
 - OPERATING TEMPERATURE: -50°C TO +175°C
 - PROCESSING TEMP: 260°C FOR 120 SECONDS MAX
 - UL FLAMMABILITY RATING: 94V-0
 - OPERATING VOLTAGE: 850 VAC MINIMUM AT SEA LEVEL
 - CURRENT RATING: 3 AMP
 - CONTACT RESISTANCE: 30 MILLI OHMS MAX
 - INSULATION RESISTANCE: 5000 MEGA OHMS
 - DURABILITY: 500 CYCLES MIN
 - CONNECTOR IDENTIFICATION: THE PART SHALL BE MARKED WITH A PART NUMBER AND LOT CODE
 - MODIFICATION: BODY WIDTH .400", .150" DIA. MTG HOLES, 'D' DIMENSION 1.135", SHORTING CANTILEVER CONTACTS ALL POSITIONS.

CUSTOMER COPY



UNLESS OTHERWISE SPECIFIED: DIMENSIONS ARE IN INCHES [MM]		DRAWN	DATE	NAME			
			03/02/11	JH			
TOLERANCES: ANGULAR: ± 1° DECIMALS .XX = ± .02 [.5] .XXX = ± .005 [13] .XXXX = ± .0005 [013]					THE INFORMATION HEREIN CONTAINS PROPRIETARY INFORMATION OF SULLINS ELECTRONICS AND IS NOT TO BE REPRODUCED, USED OR DISCLOSED TO OTHERS FOR ANY PURPOSE EXCEPT AS SPECIFICALLY AUTHORIZED IN WRITING BY AN OFFICER OF SULLINS ELECTRONICS.		
					EDGECARD SHORTING CONNECTOR PART NUMBER TMJ03DKSD-S1512		
SIZE	CAGE CODE	DWG. NO.		REV			
C	54453	C11667		B			
SCALE: 4:1		SHEET 1 OF 1					