

This drawing involves proprietary design rights of Tyco Electronics Corporation, and all design, manufacture, reproduction, use and sale rights regarding the same are expressly reserved. It is submitted for a specific purpose and the recipient by accepting this drawing, assumes custody and control and agrees to take reasonable precautions; (a) that this drawing will not be copied and reproduced, in whole or in part, or its contents revealed in any manner, or to any person except to meet the purpose for which it was delivered and (b) that any special features peculiar to this design will not be incorporated in other projects without the expressed written permission of Tyco Electronics Corporation.

REVISIONS

| EC | REV | DESCRIPTION | DATE |
|--------------|-----|-------------|----------|
| OS1Q-0400-04 | A | NEW RELEASE | 11/04/04 |

8. PART NUMBER INFORMATION

| CONNECTOR | TYCO PART NUMBER | ELCON PART NUMBER | TERMINATION TYPE | PC TAIL LENGTH | RECOMMENDED MOUNTING BOARD | MATING BOARD |
|-----------|------------------|-------------------|------------------------|--------------------------------|----------------------------|------------------|
| SOCKET | 6650380-1 | 287-0032-12101 | SOLDER TAIL (SHORT) | 3.56 [.140] 2.54 [.100] | 1.6 [.062] THICK | 1.6 [.062] THICK |
| SOCKET | 6650380-2 | 287-0032-12301 | SOLDER TAIL (STANDARD) | 5.08 [.200] 4.06 [.160] | 3.2 [.125] OR THINNER | 1.6 [.062] THICK |

NOTES: UNLESS OTHERWISE SPECIFIED;

1. PART NUMBER CHANGES AND OR DESIGN CHANGES AFFECTING ITEM INTERCHANGEABILITY REQUIRE PRIOR ELCON APPROVAL AND AUTHORIZATION BY REVISION TO THIS DRAWING.

2. MATERIALS:

INSULATORS: THERMOPLASTIC, GLASS REINFORCED, COLOR-BLACK, UL94V-0 FLAMMABILITY RATED.

CONTACTS: PHOSPHOR-BRONZE ALLOY.

3. FINISHES:

CONTACTS: SELECTIVE GOLD PLATED PER MIL-G-45204 TYPE II, GRADE C, CLASS 0, .000030" MIN. THK, OVER NICKEL PER QQ-N-290, CLASS 2, .000040" MIN. THICKNESS.

TERMINALS: TIN PLATED, MATTE FINISH, .000120" TO .000170" THICK.

4 SOCKETS ACCEPT 1.6 [.062] ± 10% THK PC BOARD.

5 EXAMPLE PCB CONFIGURATION SHOWING SEQUENCING.

6 THIS 2 X 2 SEGMENT CONFIGURATION SHOWN IS FOR REFERENCE ONLY. COMBINATION OF MULTIPLE NUMBERS OF 2 AND 3 SEGMENT MODULES COULD BE USED PER USER PREFERENCE. OVERALL COMBINATION SHOULD NOT EXCEED 8" IN LENGTH.

7 ITEMS PROVIDED TO THIS SPECIFICATION TO BE PERMANENTLY IDENTIFIED PER THE FOLLOWING IDENTIFIER:




YEAR WEEK

ELCON PART NO. & REV

DATE CODE (e.g. 0107)

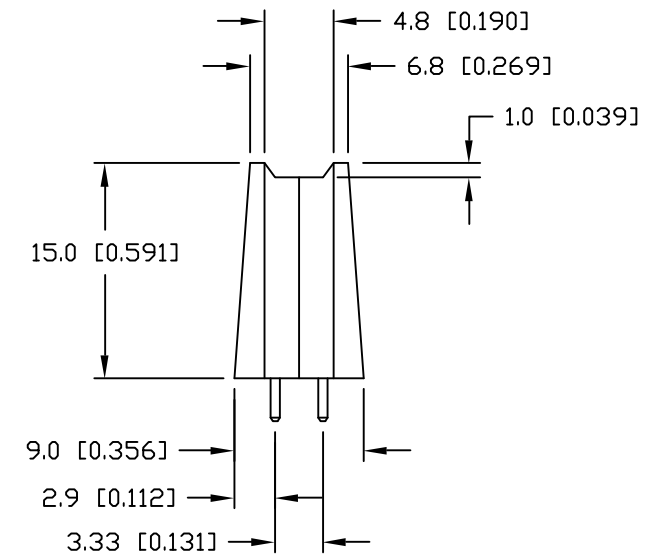
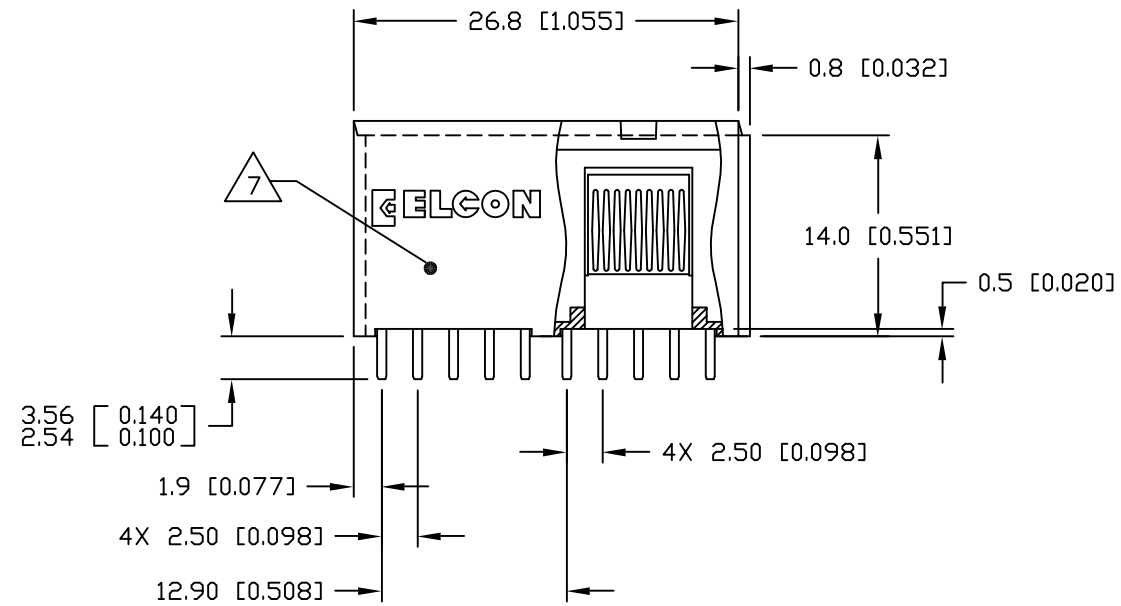
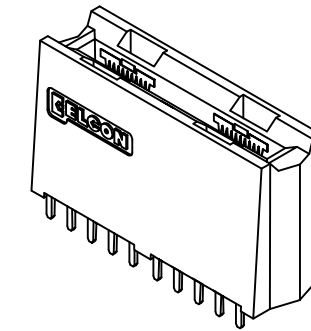
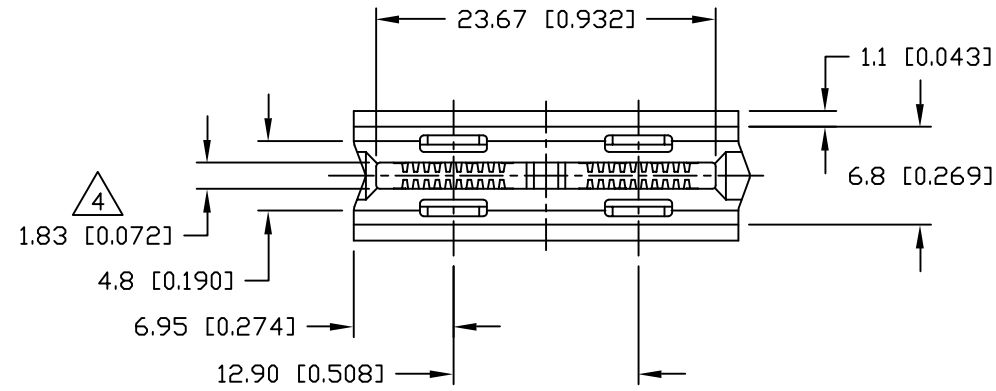
XXX-XXXX-XXXXX []

XXXX

| | | | | |
|---|-------------------------|------------------|--|---------------------------|
|  THIRD ANGLE PROJECTION UNLESS OTHERWISE SPECIFIED DIMENSIONS ARE IN METRIC [INCHES] TOLERANCES ANGLES ± .5° DECIMALS .XX ± .25 [.010] .X ± .5 [.020] | DRAWN R. F. A. | DATE 11/04/04 |  Tyco Electronics Corporation Menlo Park, Ca 94025  | |
| | CHECKED | | | TITLE |
| | APPROVED | | SOCKET CONNECTOR, CROWN EDGE 4 POSN POWER, STRAIGHT, SOLDER PN: 287-0032-12101/287-0032-12301 | |
| | APPROVED D. CHAU | 11/04/04 | SIZE B | DWG NUMBER C = 6650380 |
| | DCA APPROVED M. ALIM | 11/08/04 | REV. A | |
| ACAD FILE NUMBER C6650380A.DWG | | | DWG SCALE 2=1 SH 1 OF 5 | |

This drawing involves proprietary design rights of Tyco Electronics Corporation, and all design, manufacture, reproduction, use and sale rights regarding the same are expressly reserved. It is submitted for a specific purpose and the recipient by accepting this drawing, assumes custody and control and agrees to take reasonable precautions; (a) that this drawing will not be copied and reproduced, in whole or in part, or its contents revealed in any manner, or to any person except to meet the purpose for which it was delivered and (b) that any special features peculiar to this design will not be incorporated in other projects without the expressed written permission of Tyco Electronics Corporation.

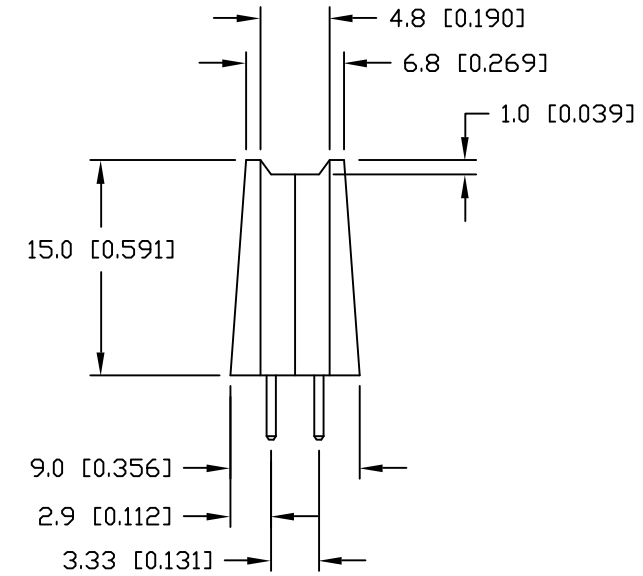
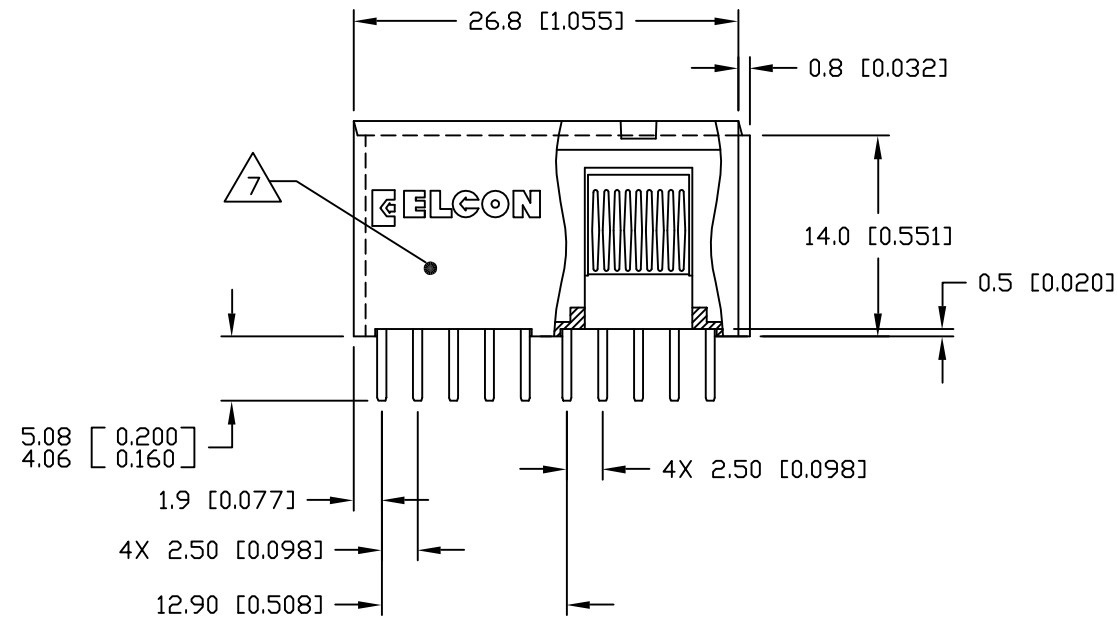
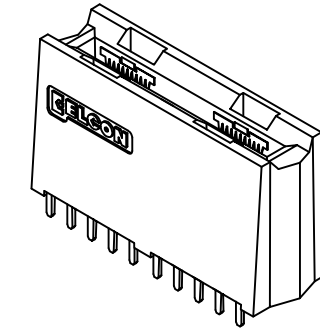
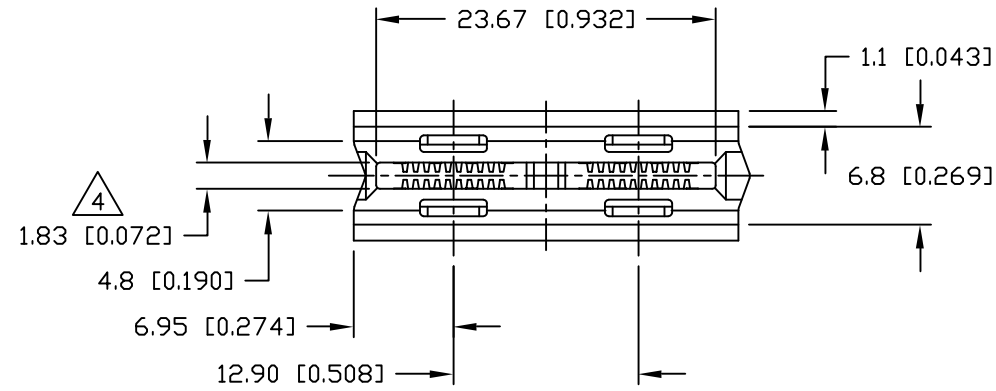
| REVISIONS | | | |
|-----------|-----|-------------|------|
| EC | REV | DESCRIPTION | DATE |
| | | SEE SHEET 1 | |



| | | | | |
|--|---------------------------------|-----------------------------------|--|---|
| ← MM INCH THIRD ANGLE PROJECTION UNLESS OTHERWISE SPECIFIED DIMENSIONS ARE IN METRIC [INCHES] TOLERANCES ANGLES ± .5° DECIMALS .XX ± .25 [.010] .X ± .5 [.020] | DRAWN R. F. A. | DATE 11/04/04 | Tyco Electronics Corporation Menlo Park, Ca 94025 | |
| | CHECKED | | | TITLE SOCKET CONNECTOR, CROWN EDGE 4 POSN POWER, STRAIGHT, SOLDER PN: 287-0032-12101 |
| | APPROVED | | APPROVED D. CHAU 11/04/04 | SIZE B |
| | APPROVED M. ALIM 11/08/04 | ACAD FILE NUMBER C6650380A.DWG | DWG NUMBER C = 6650380 | REV. A |
| | | | DWG SCALE 2=1 SH 2 OF 5 | |

This drawing involves proprietary design rights of Tyco Electronics Corporation, and all design, manufacture, reproduction, use and sale rights regarding the same are expressly reserved. It is submitted for a specific purpose and the recipient by accepting this drawing, assumes custody and control and agrees to take reasonable precautions; (a) that this drawing will not be copied and reproduced, in whole or in part, or its contents revealed in any manner, or to any person except to meet the purpose for which it was delivered and (b) that any special features peculiar to this design will not be incorporated in other projects without the expressed written permission of Tyco Electronics Corporation.

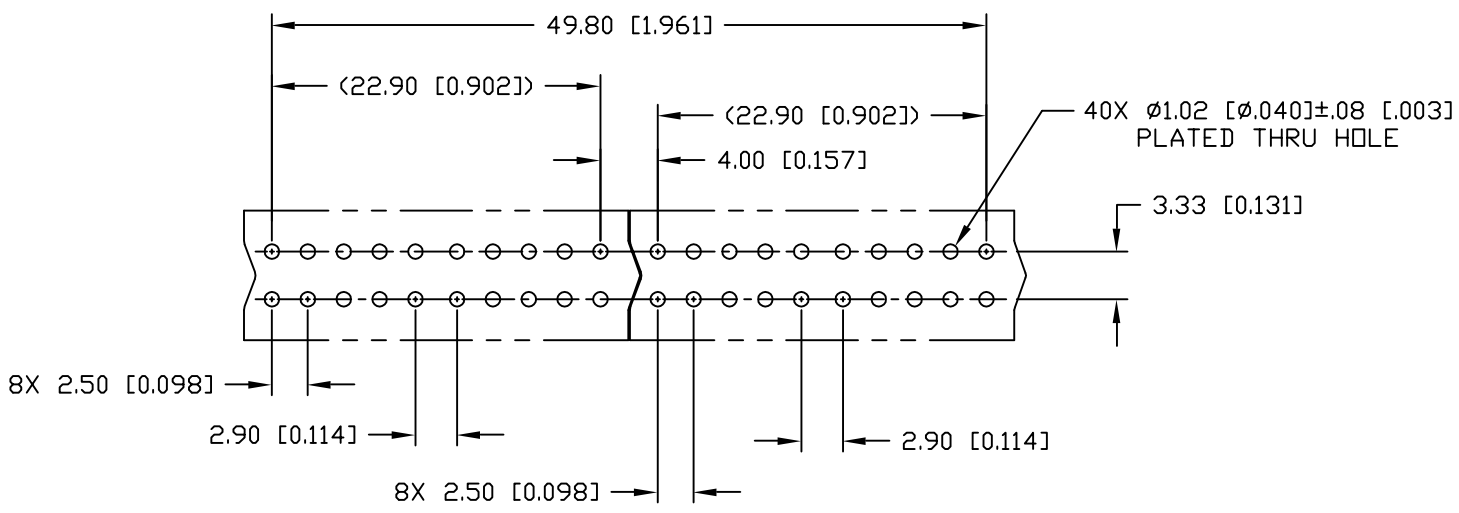
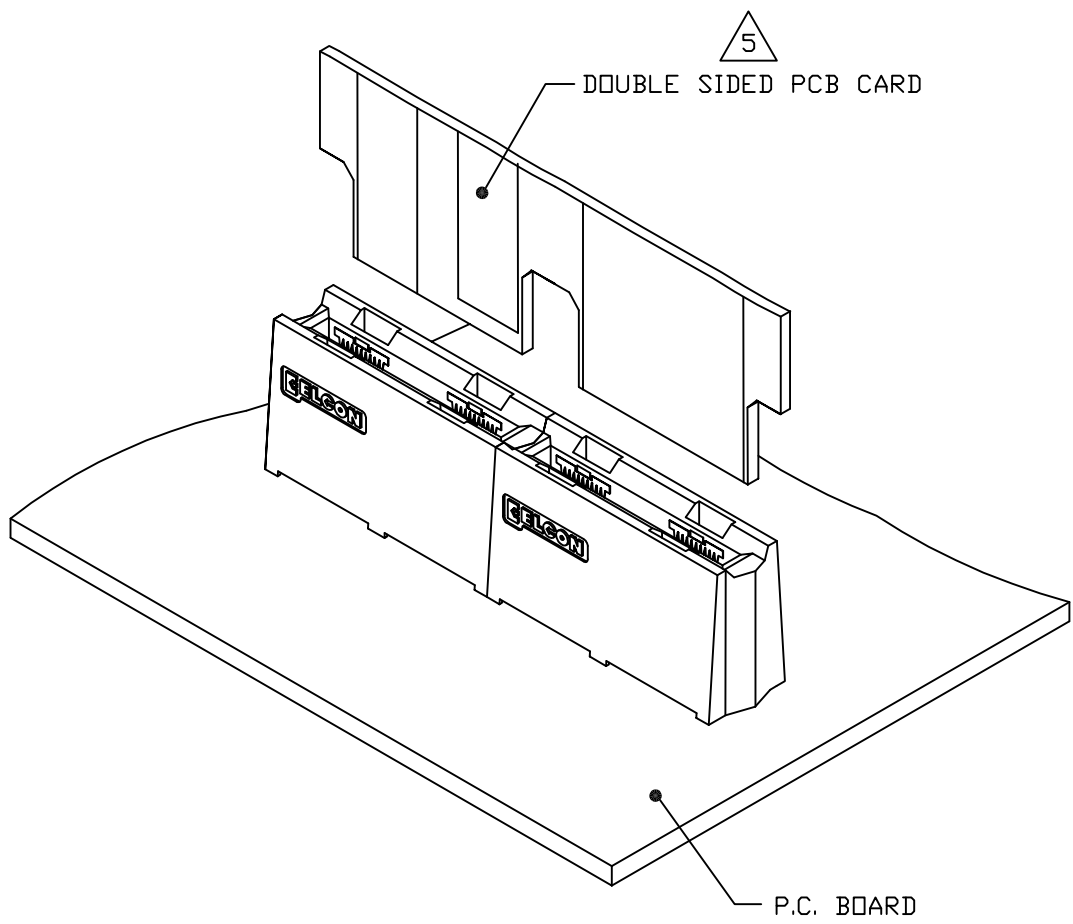
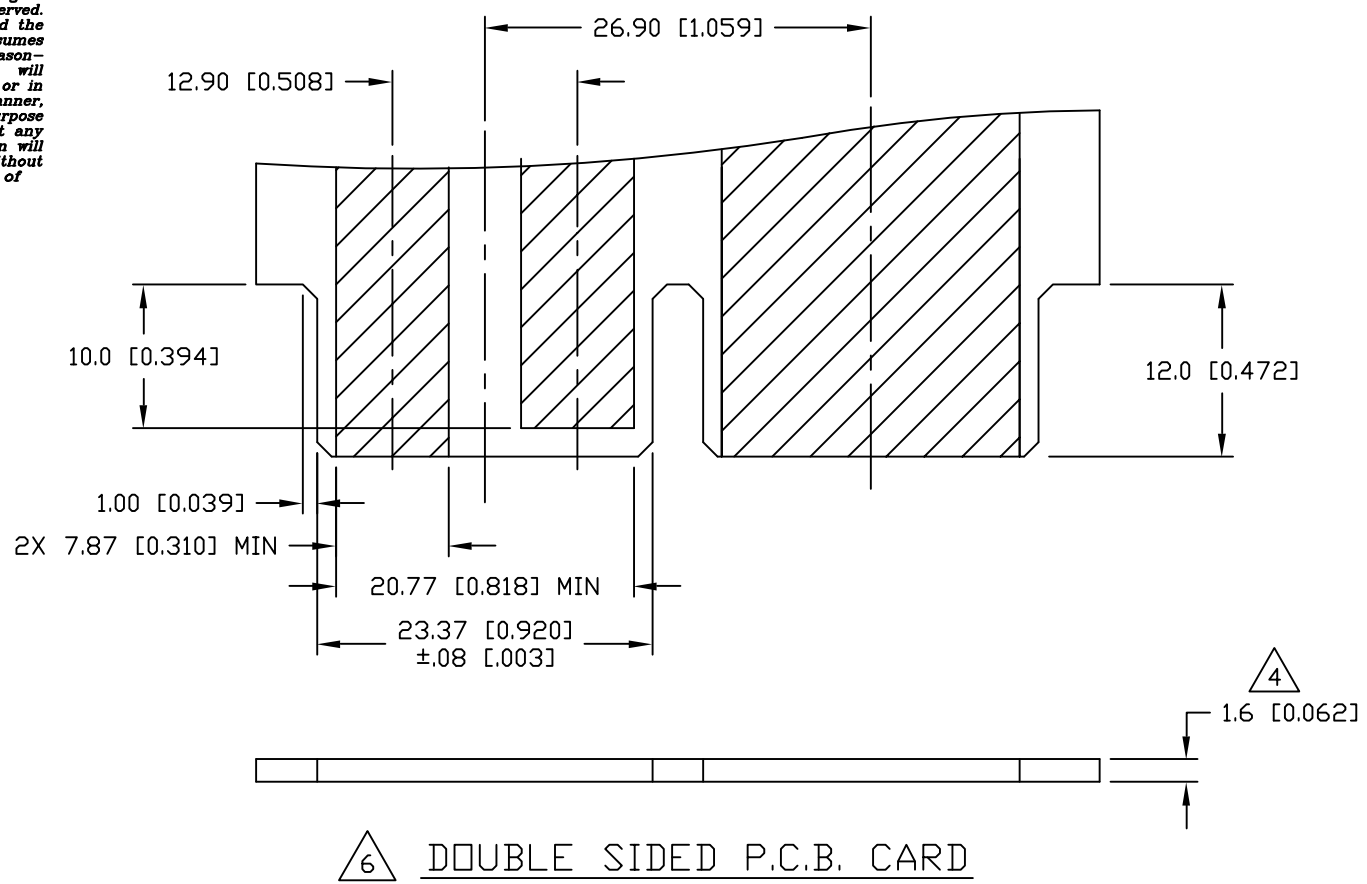
| REVISIONS | | | |
|-----------|-----|-------------|------|
| EC | REV | DESCRIPTION | DATE |
| | | SEE SHEET 1 | |



| | | | | |
|---|---------------------------------|-----------------------------------|--|---|
| ← MM OR MM [INCH] INCH THIRD ANGLE PROJECTION UNLESS OTHERWISE SPECIFIED DIMENSIONS ARE IN METRIC [INCHES] TOLERANCES ANGLES ± .5° DECIMALS .XX ± .25 [.010] .X ± .5 [.020] | DRAWN R. F. A. | DATE 11/04/04 | Tyco Electronics Corporation Menlo Park, Ca 94025 | |
| | CHECKED | | | TITLE SOCKET CONNECTOR, CROWN EDGE 4 POSN POWER, STRAIGHT, SOLDER PN: 287-0032-12301 |
| | APPROVED | | APPROVED D. CHAU 11/04/04 | SIZE B |
| | APPROVED M. ALIM 11/08/04 | ACAD FILE NUMBER C6650380A.DWG | DWG NUMBER C = 6650380 | REV. A |
| | | | DWG SCALE 2=1 | SH 3 OF 5 |

This drawing involves proprietary design rights of Tyco Electronics Corporation, and all design, manufacture, reproduction, use and sale rights regarding the same are expressly reserved. It is submitted for a specific purpose and the recipient by accepting this drawing, assumes custody and control and agrees to take reasonable precautions; (a) that this drawing will not be copied and reproduced, in whole or in part, or its contents revealed in any manner, or to any person except to meet the purpose for which it was delivered and (b) that any special features peculiar to this design will not be incorporated in other projects without the expressed written permission of Tyco Electronics Corporation.

| REVISIONS | | | |
|-----------|-----|-------------|------|
| EC | REV | DESCRIPTION | DATE |
| | | SEE SHEET 1 | |

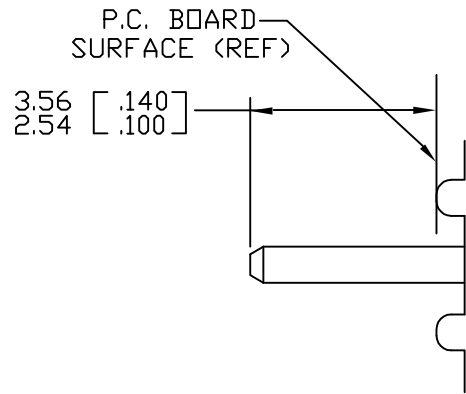


△ 6 RECOMMENDED P.C. BOARD LAYOUT

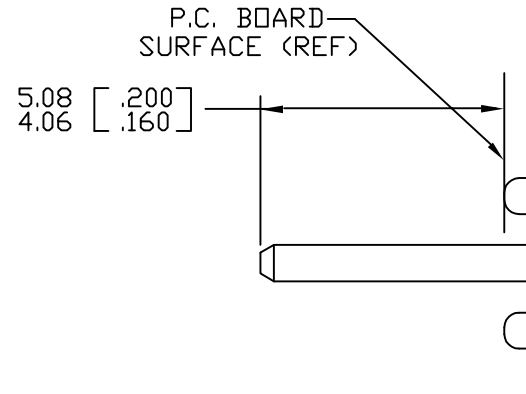
| | | | | | | |
|---|---------------------|------------------|--|---|---------------------------|-----------|
| ← MM OR MM [INCH] THIRD ANGLE PROJECTION UNLESS OTHERWISE SPECIFIED DIMENSIONS ARE IN METRIC [INCHES] TOLERANCES ANGLES ± .5° DECIMALS .XX ± .25 [.010] .X ± .5 [.020] | DRAWN R. F. A. | DATE 11/04/04 | Tyco Electronics Corporation Menlo Park, Ca 94025 | TITLE RECOMMENDED PCB LAYOUT PN: 287-0032-12101 PN: 287-0032-12301 | | |
| | CHECKED | | | | | |
| | APPROVED | | SIZE B | | DWG NUMBER C = 6650380 | REV. A |
| | APPROVED D. CHAU | 11/04/04 | ACAD FILE NUMBER C6650380.DWG | | DWG SCALE 2=1 | SH 4 OF 5 |

This drawing involves proprietary design rights of Tyco Electronics Corporation, and all design, manufacture, reproduction, use and sale rights regarding the same are expressly reserved. It is submitted for a specific purpose and the recipient by accepting this drawing, assumes custody and control and agrees to take reasonable precautions; (a) that this drawing will not be copied and reproduced, in whole or in part, or its contents revealed in any manner, or to any person except to meet the purpose for which it was delivered and (b) that any special features peculiar to this design will not be incorporated in other projects without the expressed written permission of Tyco Electronics Corporation.

| REVISIONS | | | |
|-----------|-----|-------------|------|
| EC | REV | DESCRIPTION | DATE |
| | | SEE SHEET 1 | |



SOLDER PIN DETAIL



SOLDER PIN DETAIL

RECOMMENDED PRINTED CIRCUIT HOLE

FINISHED HOLE: $\phi 1.02$ [.040] $\pm .08$ [.003]
 DRILLED HOLE: $\phi 1.15$ [.0453] $\pm .013$ [.0005]
 COPPER PLATE: .025 [.0010] MINIMUM (PER SURFACE)
 TIN PLATE: .008 [.0003] MINIMUM (PER SURFACE)

| | | | | |
|--|---------------------|------------------|--|--|
| ← MM OR MM [INCH] INCH THIRD ANGLE PROJECTION UNLESS OTHERWISE SPECIFIED DIMENSIONS ARE IN METRIC [INCHES] TOLERANCES ANGLES $\pm .5^\circ$ DECIMALS .XX $\pm .25$ [.010] .X $\pm .5$ [.020] | DRAWN R. F. A. | DATE 11/04/04 | tyco Tyco Electronics Corporation Electronics Menlo Park, Ca 94025 ELCON | |
| | CHECKED | | | TITLE SOCKET CONNECTOR, CROWN EDGE USER INFORMATION SOLDER TAIL TERMINATION |
| | APPROVED | | APPROVED | SIZE B |
| | APPROVED D. CHAU | 11/04/04 | DCA APPROVED M. ALIM | DWG NUMBER C = 6650380 |
| ACAD FILE NUMBER | C6650380A.DWG | | REV. A | |
| | | | DWG SCALE 2=1 SH 5 OF 5 | |