

| | |
|--------------|-------------------------------|
| PART NUMBER | SHROUD MATERIAL |
| 127-1701-602 | STAINLESS STEEL PASSIVATED |

DRAWING NO.
C - 127-1701-601/610

0 REVISIONS

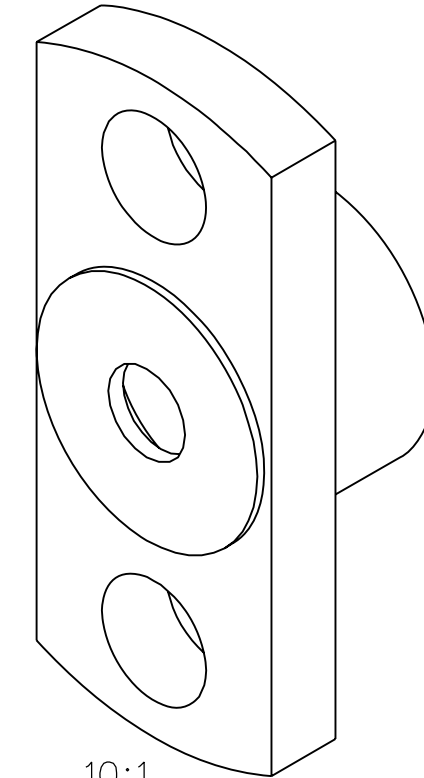
ENGINEERING RELEASE

| | | | | | | | |
|---|---------|-----|-----|-----|-----|---------|-----------|
| 1 | 1-10-07 | PAT | JRK | PDW | MJU | 2-17-07 | ECN 50898 |
|---|---------|-----|-----|-----|-----|---------|-----------|

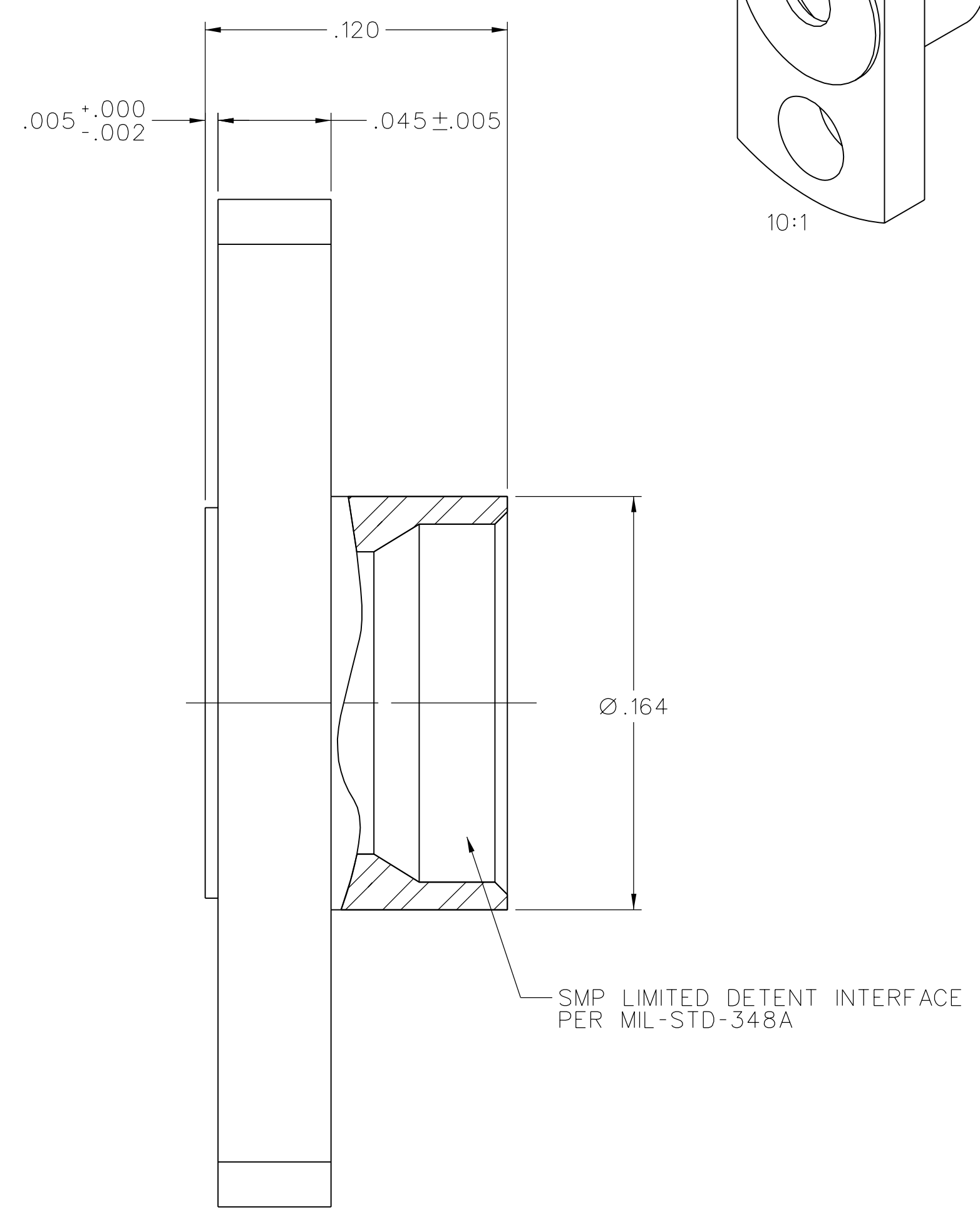
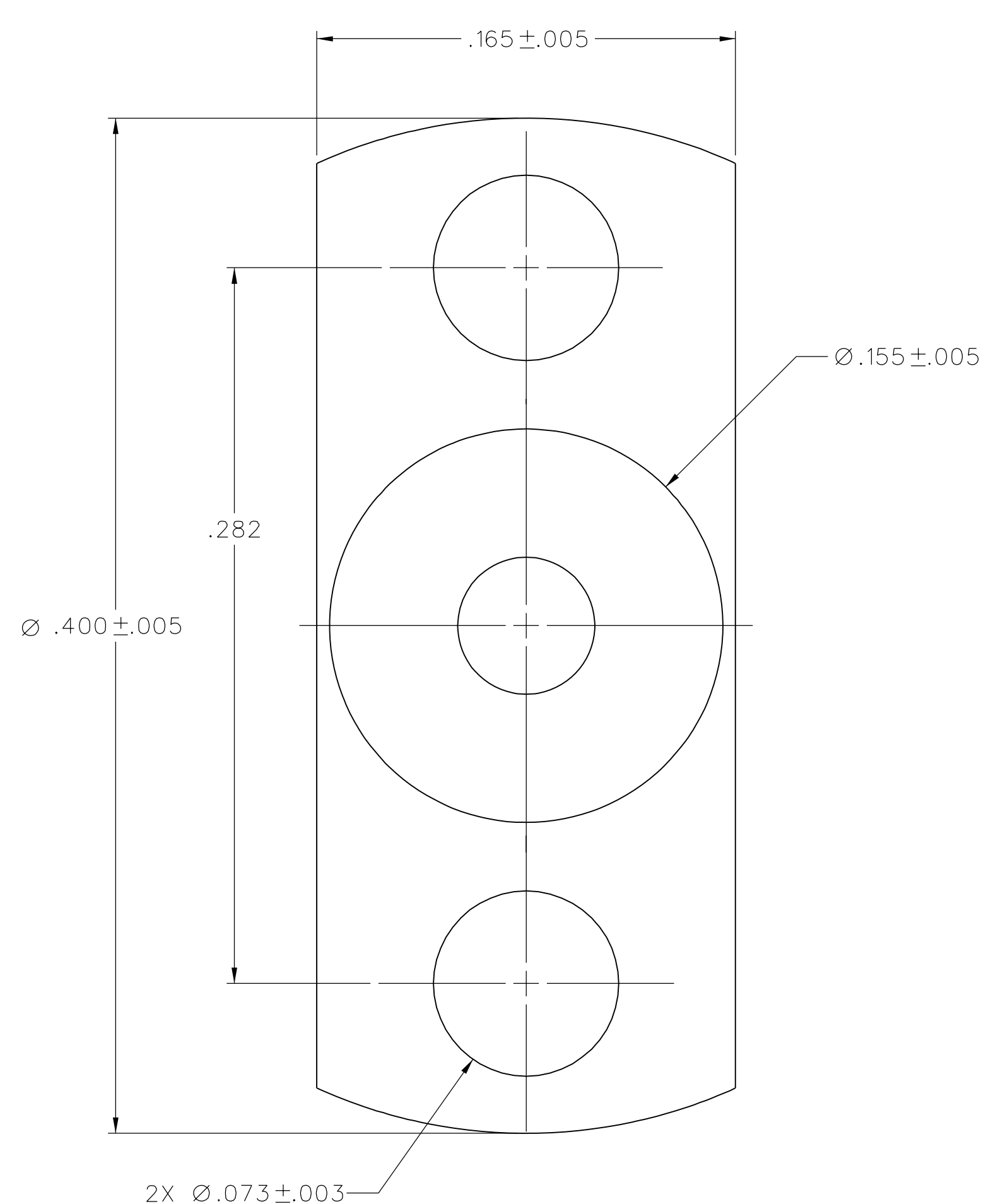
VERSION UPDATE

* REVISION NUMBER FOLLOWED BY AN ALPHA *
* CHARACTER INDICATES DRAWING CLARIFI- *
* CATION OR PART NUMBER ADDITION ONLY. *

| | | | | | | | | |
|----|----------|-----|-----|-----|-----|-----|----------|-----------|
| 1a | 11-12-07 | PAT | JRK | PDW | MJU | JCN | 11-13-07 | ECN 51291 |
|----|----------|-----|-----|-----|-----|-----|----------|-----------|



10:1



NOTES:

- SPECIFICATIONS:
 - INTERFACE DIMENSIONS: IN ACCORDANCE WITH MIL-STD-348A, SERIES SMP, LIMITED DETENT
 - CONTACT RESISTANCE: INITIAL 2.0 MILLIOHM MAX, AFTER ENVIRONMENTAL NOT APPLICABLE
- MECHANICAL:
 - ENGAGEMENT FORCE: 10 POUNDS MAX
 - DISENGAGEMENT FORCE: 2 POUNDS MIN
 - DURABILITY: 500 CYCLES MIN
- ENVIRONMENTAL:
 - (MEETS OR EXCEEDS THE APPLICABLE PARAGRAPH OF DSCC DWG NO. 94007)
 - OPERATING TEMPERATURE: -65°C TO 165°C
 - THERMAL SHOCK: MIL-STD-202, METHOD 107, CONDITION B, EXCEPT 165°C HIGH TEMP
 - CORROSION: MIL-STD-202, METHOD 101, CONDITION B
 - VIBRATION, HIGH FREQUENCY: MIL-STD-202, METHOD 204, CONDITION D
 - VIBRATION, RANDOM: MIL-STD-202, METHOD 214, CONDITION F

CUSTOMER DRAWING

THIS DRAWING TO BE INTERPRETED PER ASME Y 14.5M - 1994

"μSTATION"

COMPANY CONFIDENTIAL

| | | | |
|--------------------------------------|-------|--------------|----------|
| TOLERANCE UNLESS OTHERWISE SPECIFIED | | DRAWN BY | DATE |
| DECIMALS | mm | PAT | 11-30-06 |
| .XX | _____ | CHECKED BY | DATE |
| .XXX REF | _____ | PDW | 2-16-07 |
| MATL | _____ | APPROVED BY | DATE |
| FINISH | _____ | JRK | 2-16-07 |
| U/M | INCH | RELEASE DATE | 2-17-07 |
| | | SCALE | 20:1 |

cinch CONNECTIVITY SOLUTIONS
a bel group

Cinch Connectivity Solutions
P.O. Box 1732
Waseca, MN 56093
1-800-247-8256

| | | | |
|--|--|--------|----------------------|
| TITLE | | SHEET | DRAWING NO. |
| SMP LIMITED DETENT FLANGE MOUNT SHROUD | | 2 OF 2 | C - 127-1701-601/610 |