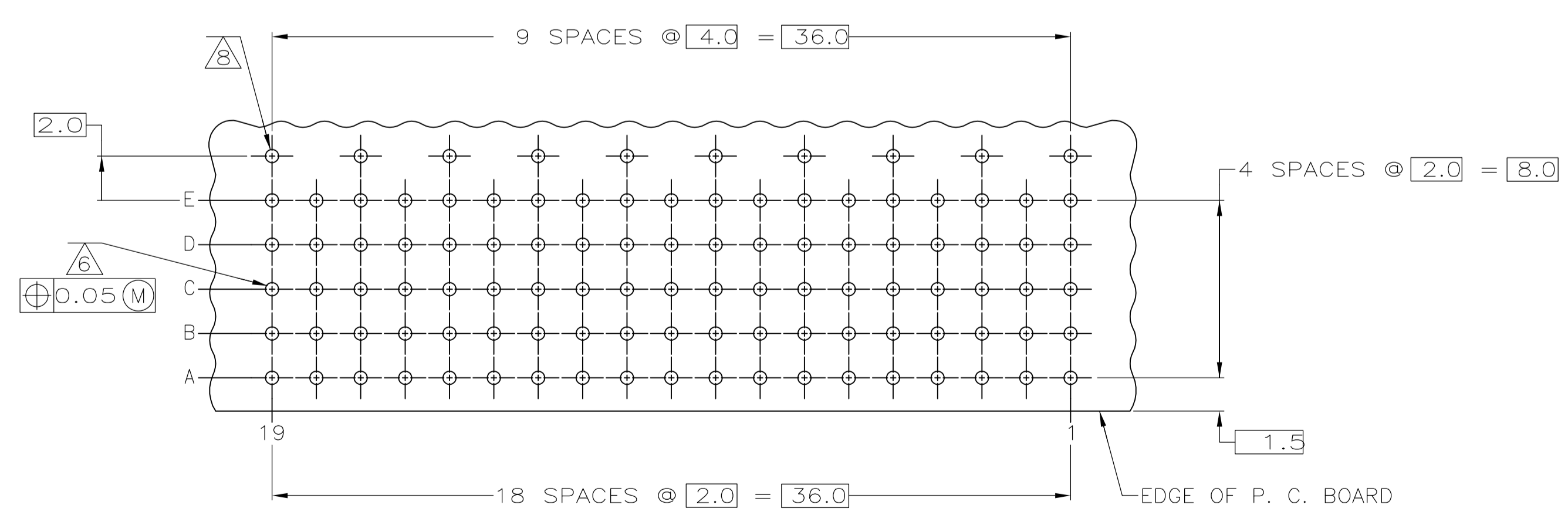
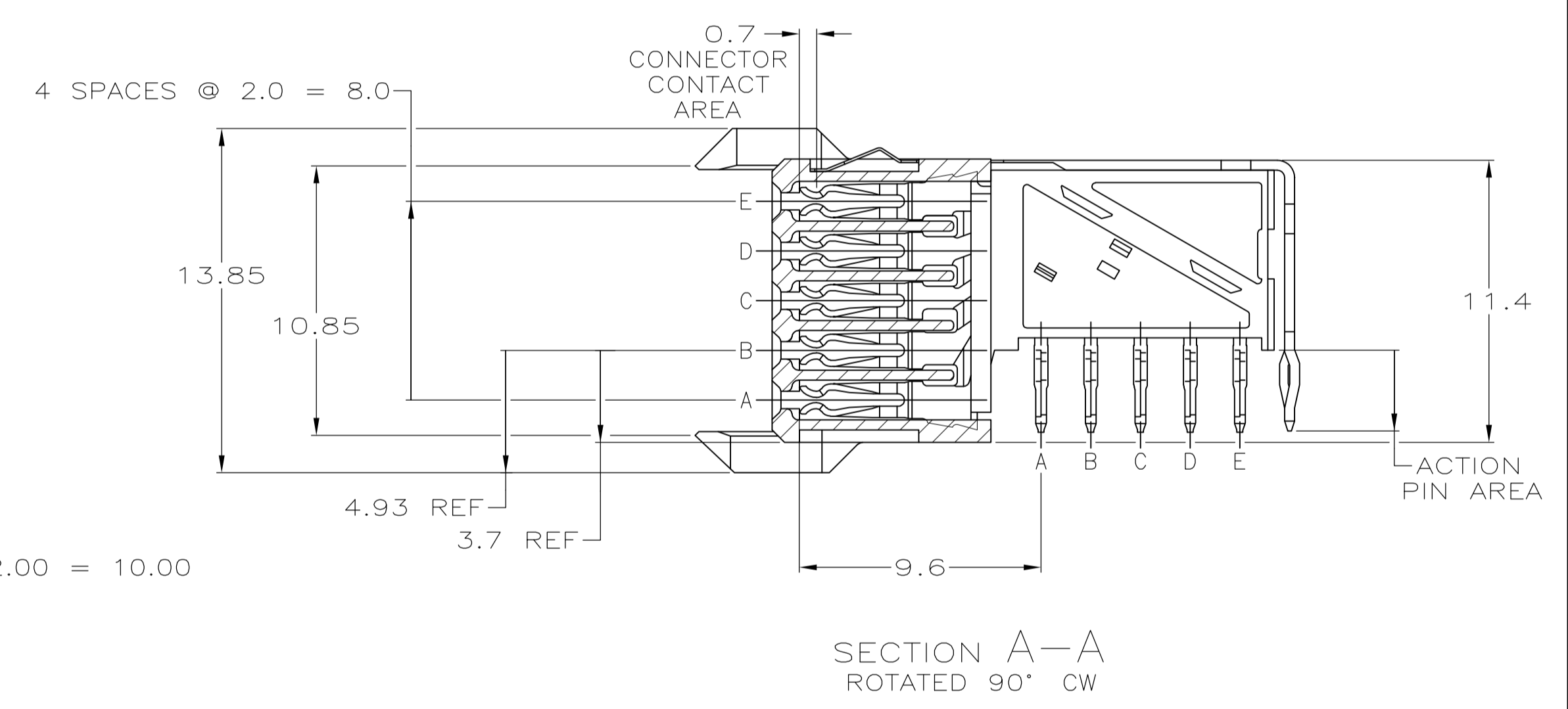
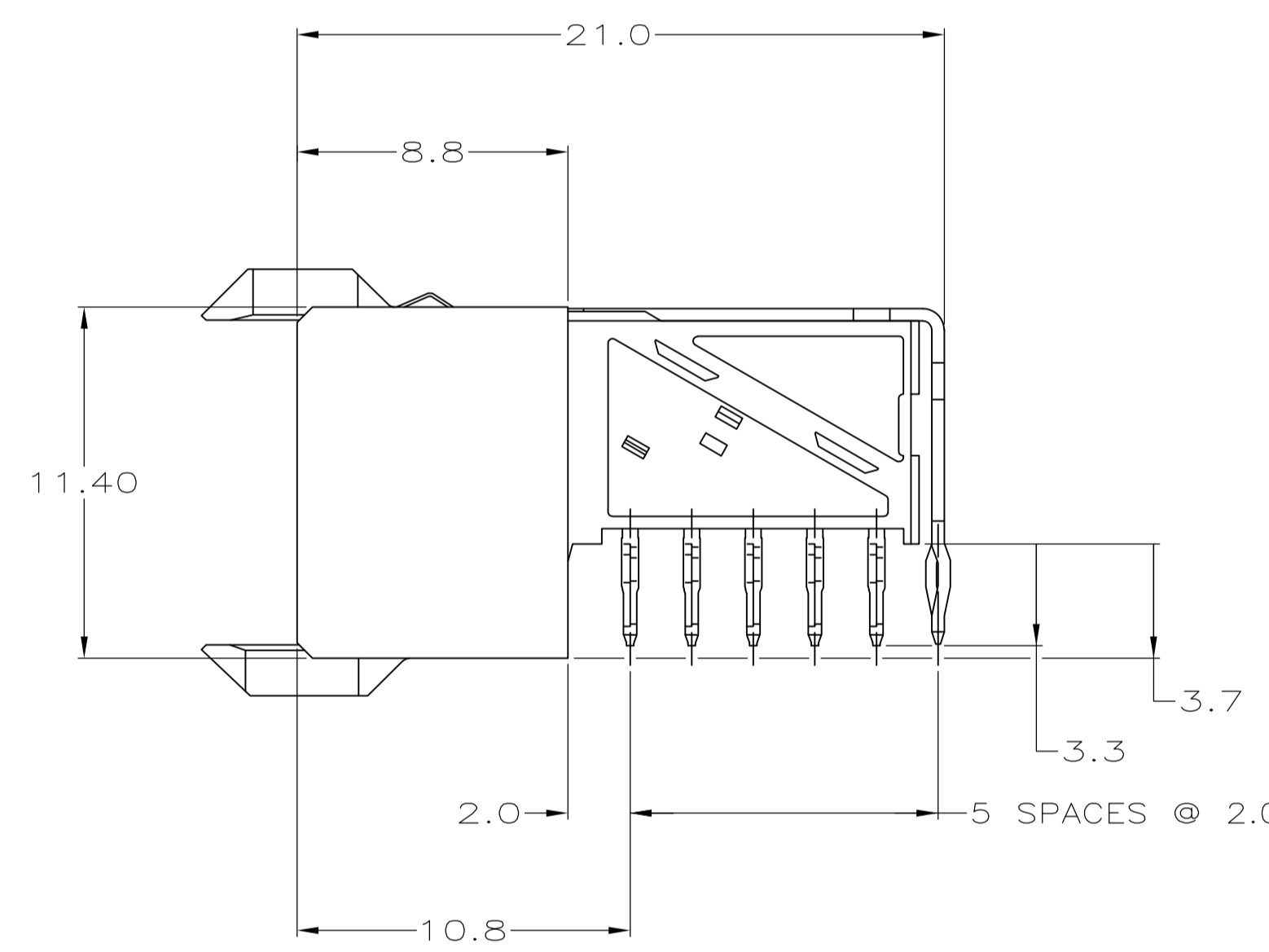
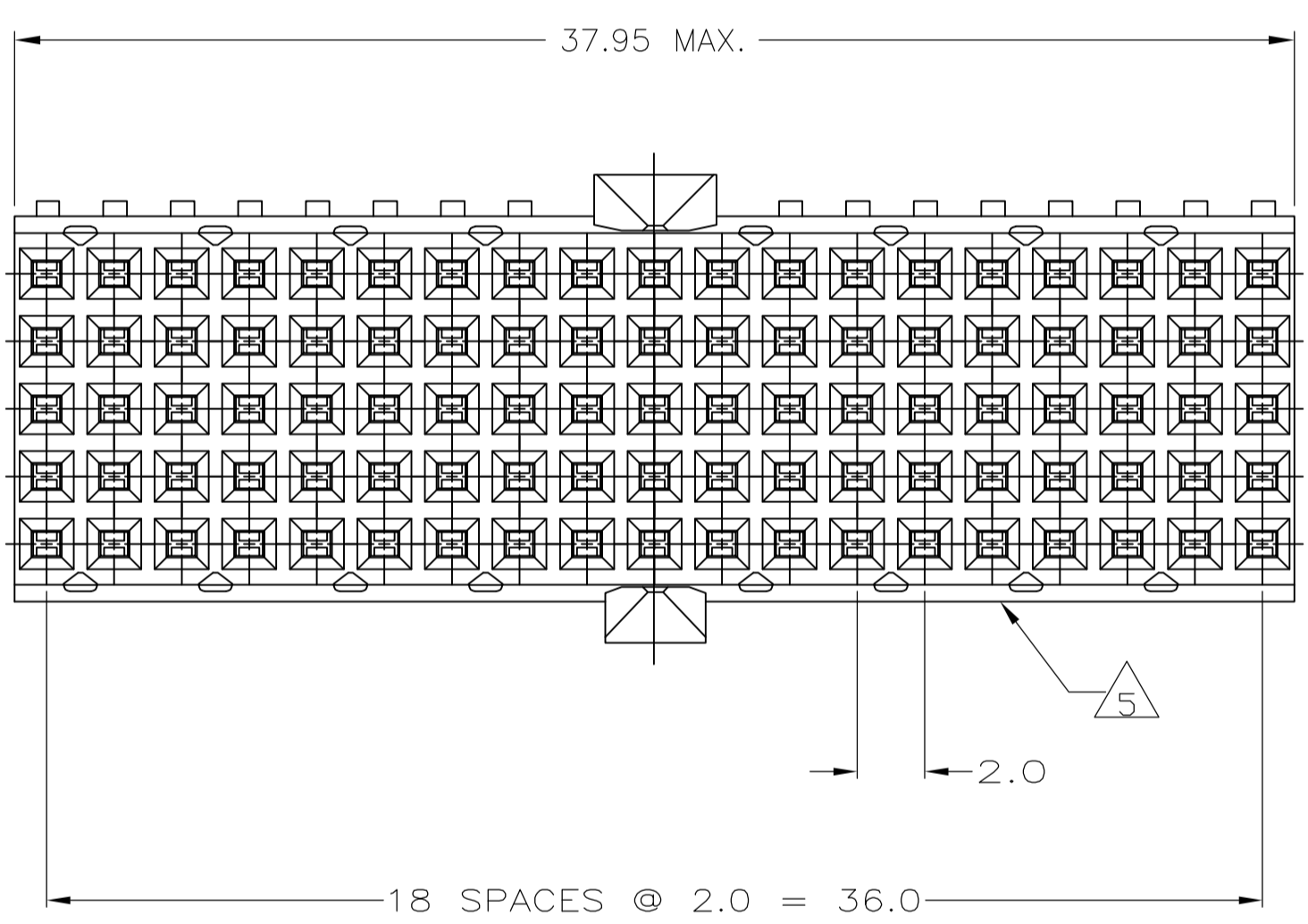
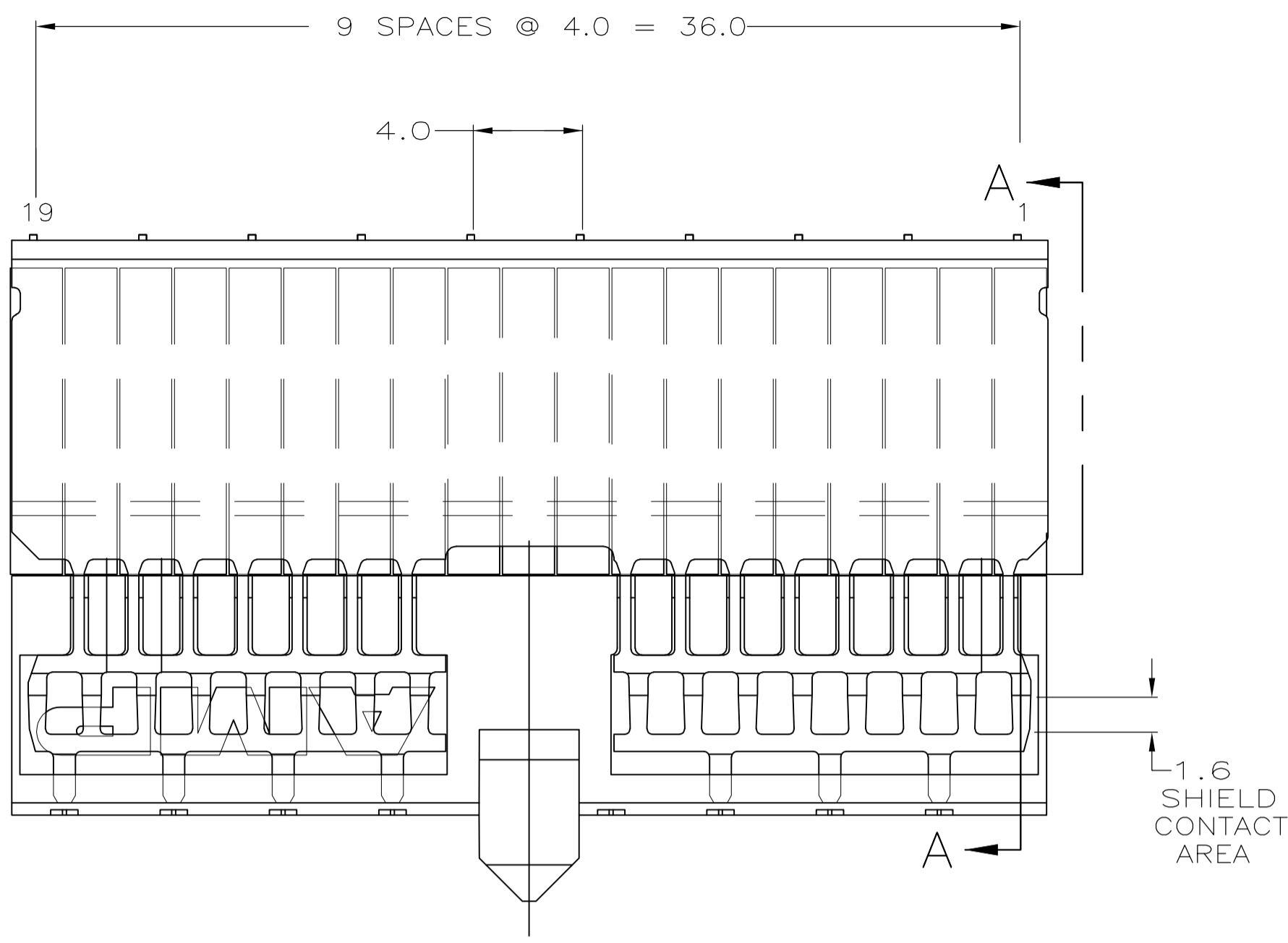


LOC		DIST		REVISIONS			
P	LTR	DESCRIPTION	DATE	DMN	APVD		
A2	REV PER ECO-10-000444		02NOV09	KK	AEG		
B	ECR-10-018652		10SEP10	SW	MQW		
C	ECO-11-024491		13DEC11	SY	MQW		



RECOMMENDED PCB-HOLE LAYOUT
COMPONENT SIDE SHOWN

SCALE 2.5:1

PLATED THRU HOLES PARAMETERS

REFERENCE APPLICATION SPECIFICATION

- 1 GENERAL PLATING SPECIFICATION: UNDERPLATING (ENTIRE CONTACT): 1.27μm NICKEL MIN. AND ACTION PIN: 0.5μm TIN MIN. FOR PLATING OF MATING SURFACES SEE APPLICABLE SPECIFICATION REFERENCE FOR EACH DASH NUMBER.
- 2 CONFORMS TO ALL TESTING ACCORDING IEC 61076-4-101 PERFORMANCE LEVEL 2.
- 3 CONFORMS TO ALL TESTING ACCORDING IEC 61076-4-101 PERFORMANCE LEVEL 1.
- 4 MATERIAL:
CONTACT: PHOSPHOR BRONZE.
HOUSING: GLASS-FILLED POLYESTER.
- 5 CONNECTOR MARKED WITH PART NUMBER AND DATE CODE. ADDITIONAL CHARACTERS OR MARKINGS, AS WELL AS THE LOCATION OF THE MARKINGS, MAY BE ADDED FOR TRACEABILITY BASED UPON MANUFACTURERS DISCRETION.
- 6 PLATED-THROUGH HOLES AT 2x2mm SQUARE GRID PATTERN DEFINED BY CONTACT LAYOUT.
- 7 CONNECTOR LUBRICATED WITH TELCORDIA APPROVED LUBRICANT.
- 8 10 PLATED THROUGH HOLES FOR UPPER SHIELD, ROW F.
- 9. SHIELD MOUNTED TO CONNECTOR WITH DOUBLE SIDED ADHESIVE TAPE OR ADHESIVE.
- 10 CONNECTOR TESTED AND QUALIFIED AGAINST TELCORDIA GR-1217-CORE QUALITY LEVEL III, CENTRL OFFICE APPLICATIONS
- 11 CONNECTOR TESTED AND QUALIFIED AGAINST TELCORDIA GR-1217-CORE QUALITY LEVEL III, UNCONTROLLED ENVIRONMENT APPLICATIONS
- 12 OBSOLETE PARTS: OBSOLETE CIS STREAMLINING PER D.RENAUD/D.SINISI

FINISH	PART NUMBER
1 7 11	1-5646488-9
1 7 10	-5646488-9
1 3	5646488-4
1 2	5646488-1

THIS DRAWING IS A CONTROLLED DOCUMENT.

DIMENSIONS: mm	TOLERANCES UNLESS OTHERWISE SPECIFIED:	0-PLC ±	1-PLC ± 0.2	2-PLC ± 0.02	3-PLC ±	4-PLC ±	ANGLES	
MATERIAL	FINISH	SEE TABLE	WEIGHT	—	SIZE	CAGE CODE	DRAWING NO	RESTRICTED TO
					A1	00779	5646488	—

THIS DRAWING IS A CONTROLLED DOCUMENT. T.KRAYBILL 21JUN05 G.SKIPPER 21JUN05 G.SKIPPER 21JUN05 Tyco Electronics Tyco Electronics Corporation 's-Hertogenbosch, Nederland

RECEPTACLE ASSEMBLY, Z-PACK 2mm HM, TYPE A/B, PRE-SHIELDED, 95 POSITION

CUSTOMER DRAWING SCALE 5:1 SHEET 1 OF 1 REV C