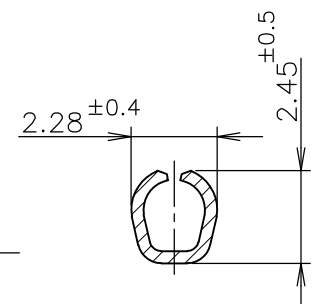
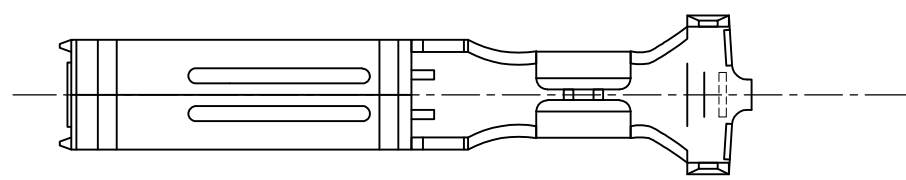
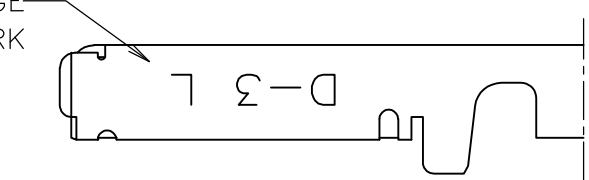


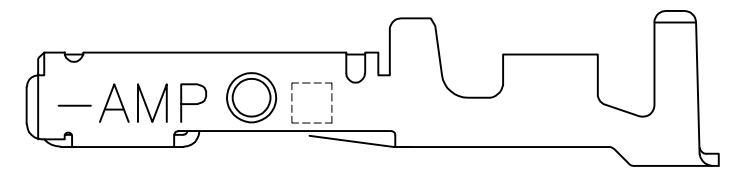
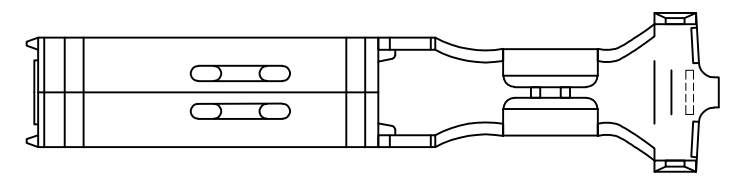
THIS DRAWING IS UNPUBLISHED. RELEASED FOR PUBLICATION JUN ,1990.
 © COPYRIGHT 1990 By Tyco Electronics Japan G.K. ALL RIGHTS RESERVED.

| LOC | DIST | REVISIONS | | |
|-----|------|-----------|-----|---------------------------|
| J | / | P | LTR | DESCRIPTION |
| | | | | DATE |
| | | | | DWN |
| | | | | APVD |
| | | C | | REVISED PER ECR-11-007143 |
| | | | | 07JUL2011 |
| | | | | T.T |
| | | | | T.M |

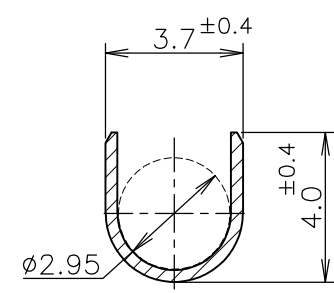
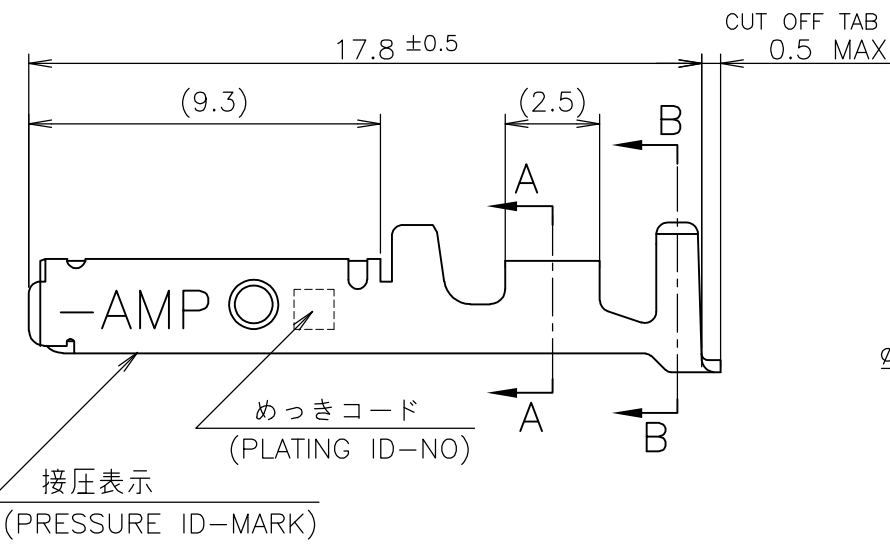
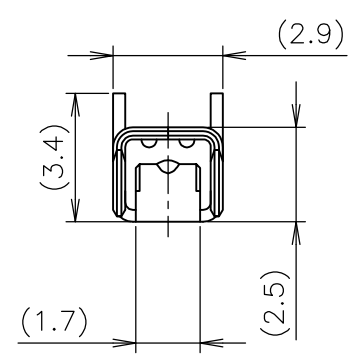
ワイヤーレンジ
WIRE RANGE
ID MARK



A-A



2- -5 ONLY



B-B

- ① 標準接圧型コンタクト：一般向け及び多極用
- ② 高接圧型コンタクト：高電流用及び強振動用
- ③ 金めっきは接続部のみとする
- 4 製品規格：108-5349
- 5 取付け適用規格：114-5148

- ① CONTACT TYPE; LOW PRESSURE TYPE (FOR GENERAL)
- ② CONTACT TYPE; HIGH PRESSURE TYPE (FOR HIGH CURRENT OR ANTI-VIBRATION)
- ③ GOLD-PL. CONTACT AREA ONLY
- 4 PRODUCT SPEC: 108-5349
- 5 APPLICATION SPEC: 114-5148

| | | | | |
|-------------|----------------|--------------------|------------------------------------|------------|
| OBSOLETE | H | 5 | 光沢錫めっき (BRIGHT TIN-PL.) | 2-175218-5 |
| | | 5 | 光沢錫めっき (BRIGHT TIN-PL.) | 1-175218-5 |
| | | 3 | 0.76μm 最小金めっき (0.76μm MIN. Au-PL.) | 1-175218-3 |
| | | 2 | 0.38μm 最小金めっき (0.38μm MIN. Au-PL.) | 1-175218-2 |
| | | 2 | 0.38μm 最小金めっき (0.38μm MIN. Au-PL.) | 175218-2 |
| ① | OBSOLETE | 5 | 光沢錫めっき (BRIGHT TIN-PL.) | 175218-5 |
| | | 3 | 0.76μm 最小金めっき (0.76μm MIN. Au-PL.) | 175218-3 |
| | | 2 | 0.38μm 最小金めっき (0.38μm MIN. Au-PL.) | 175218-2 |
| 備考 (REMARK) | 接圧表示 (ID-MARK) | めっきコード (PL. ID NO) | 仕上 (FINISH) | 型番 (P/N) |
| 接点タイプ | (CONT. TYPE) | | | |

GENERAL TOLERANCE
一般公差

| | |
|-------------|-------|
| 10 ≥ : | ±0.2 |
| 30 ≥ > 10: | ±0.25 |
| 100 ≥ > 30: | ±0.3 |
| ANGLES: | ±3° |

THIS DRAWING IS A CONTROLLED DOCUMENT.

| | |
|-----------------------------------------|---------------------------------------------------|
| DIMENSIONS: 単位: 耗 mm | TOLERANCES UNLESS OTHERWISE SPECIFIED: 一般公差 |
| 0 PLC ±- | 1 PLC ±- |
| 2 PLC ±- | 3 PLC ±- |
| 4 PLC ±- | ANGLES ±- |
| MATERIAL 材料 (COPPER ALLOY) 銅合金 | FINISH 仕上 (SEE TABLE) 表参照 |

| | |
|------------------|-----------|
| DWN | 27JUN1990 |
| T-YONEBAYASHI | |
| CHK | 14FEB1991 |
| H.OBATA | |
| APVD | 14FEB1991 |
| S.MANABE | |
| PRODUCT SPEC | 製品規格 |
| APPLICATION SPEC | 取付適用規格 |
| WEIGHT | |

WIRE RANGE
包合電線断面積 AWG 20-16
(0.5-1.25mmSQ)mm²

INSULATION DIA
被覆外径 1.8-2.8 mmφ

STE TE Connectivity

L SIZE
DYNAMIC SERIES REC. CONTACT L/P
ダイナミックシリーズリセプタクルコンタクト L/P

SIZE A3 CAGE CODE 00779 DRAWING NO. C-175218

RESTRICTED TO

CUSTOMER DRAWING SCALE 5:1 SHEET 1 OF 1 REV C